



Chipsmall Limited consists of a professional team with an average of over 10 year of expertise in the distribution of electronic components. Based in Hongkong, we have already established firm and mutual-benefit business relationships with customers from,Europe,America and south Asia,supplying obsolete and hard-to-find components to meet their specific needs.

With the principle of “Quality Parts,Customers Priority,Honest Operation,and Considerate Service”,our business mainly focus on the distribution of electronic components. Line cards we deal with include Microchip,ALPS,ROHM,Xilinx,Pulse,ON,Everlight and Freescale. Main products comprise IC,Modules,Potentiometer,IC Socket,Relay,Connector.Our parts cover such applications as commercial,industrial, and automotives areas.

We are looking forward to setting up business relationship with you and hope to provide you with the best service and solution. Let us make a better world for our industry!



## Contact us

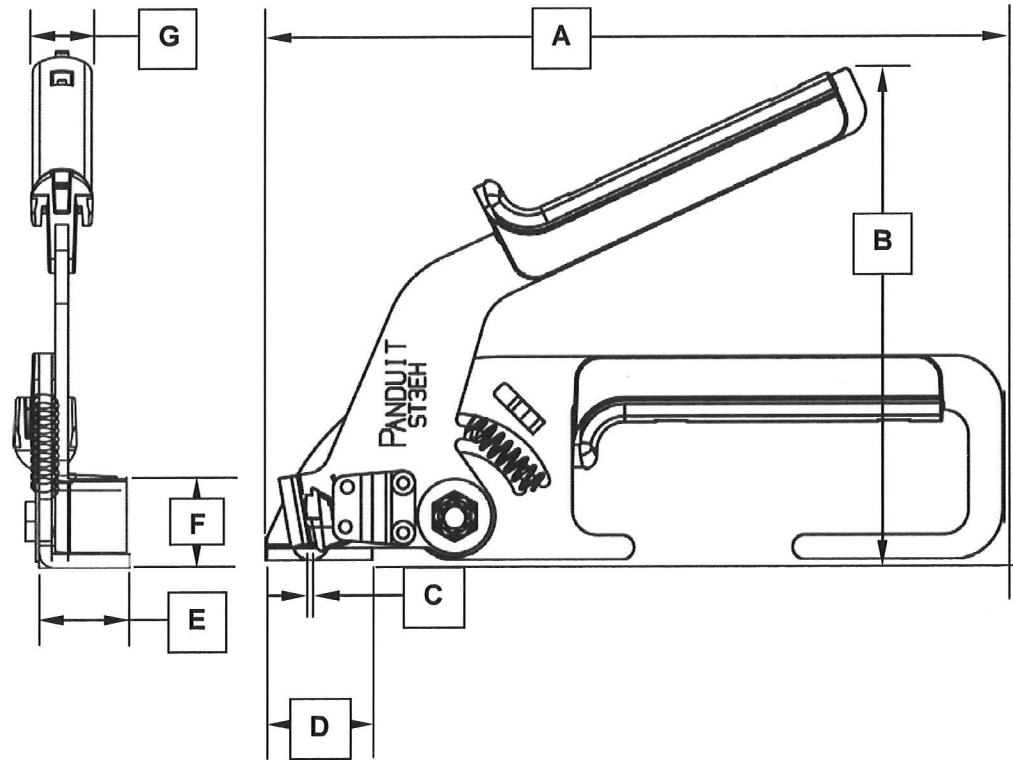
Tel: +86-755-8981 8866 Fax: +86-755-8427 6832

Email & Skype: info@chipsmall.com Web: www.chipsmall.com

Address: A1208, Overseas Decoration Building, #122 Zhenhua RD., Futian, Shenzhen, China



THIS COPY IS PROVIDED ON A RESTRICTED BASIS AND IS NOT TO BE USED IN ANY WAY DETRIMENTAL TO THE INTERESTS OF PANDUIT CORP.



**SPECIFICATIONS:**

PANDUIT TOOL NO: ST3EH  
 TOOL WEIGHT: 9 oz. (256 gr.)

INSTALLS ALL LH, H, & EH CROSS SECTION CABLE TIES.

**CABLE TIE CROSS-SECTION CODE:**

LH = Light Heavy      H = Heavy      EH = Extra Heavy

**THIS TOOL'S FEATURES INCLUDE:**

- Single handle trigger for fast installation
- Cable tie side entry for immediate positioning of tie and tool
- One hand operation – lightweight
- Installer controlled tension
- Cut-off capability with the twist of the wrist
- Easy removal of excess tie

**DIMENSIONS SHOWN IN PARENTHESES ARE (mm) METRIC:**

A = 7.50                    ( 190.50 ) OVERALL LENGTH  
 B = 5.0                    ( 127.00 ) OPEN HANDLE SPAN  
 C = .098 W x .604 L    ( 2.49 W x 15.24 L ) TIE ENTRY  
 D = 1.063                ( 27.00 ) HEIGHT OF HEAD  
 E = .875                  ( 22.23 ) DEPTH OF HEAD  
 F = .875                  ( 22.23 ) WIDTH OF HEAD  
 G = .50                    ( 12.70 ) DEPTH OF HANDLE

F:\RVUSERS\ENGDWGS\CUSTDWGS\TB25129A01\_01.doc

REV	DATE	BY	CHK	APR	DESCRIPTION	ECN	<b>ST3EH CABLE TIE INSTALLATION TOOL</b>				CUSTOMER DRAWING	
							ITEM REVISION NAME: <b>TB25129A01_01</b>				<b>PANDUIT</b>	
							UNLESS OTHERWISE SPECIFIED, DIMENSIONAL TOLERANCES ARE: (.x) ±     ---     (.xxx) ±     --- (.xx) ±    ---     ANGLES ±     ---				MATERIAL: -----	
01	2-07-13	BLR	<i>[Signature]</i>	<i>[Signature]</i>	UPD TEMPLATE & BRANDING	4608	THIRD ANGLE PROJECTION				DRAWING NUMBER: <b>TB25129A01</b>	
							DRAWN BY: BLR	DATE: 4-19-06	CHK BJPU	SCALE NONE	SHT 1 OF 1	SIZE <b>A</b>