



Chipsmall Limited consists of a professional team with an average of over 10 year of expertise in the distribution of electronic components. Based in Hongkong, we have already established firm and mutual-benefit business relationships with customers from,Europe,America and south Asia,supplying obsolete and hard-to-find components to meet their specific needs.

With the principle of "Quality Parts,Customers Priority,Honest Operation,and Considerate Service",our business mainly focus on the distribution of electronic components. Line cards we deal with include Microchip,ALPS,ROHM,Xilinx,Pulse,ON,Everlight and Freescale. Main products comprise IC,Modules,Potentiometer,IC Socket,Relay,Connector.Our parts cover such applications as commercial,industrial, and automotives areas.

We are looking forward to setting up business relationship with you and hope to provide you with the best service and solution. Let us make a better world for our industry!



Contact us

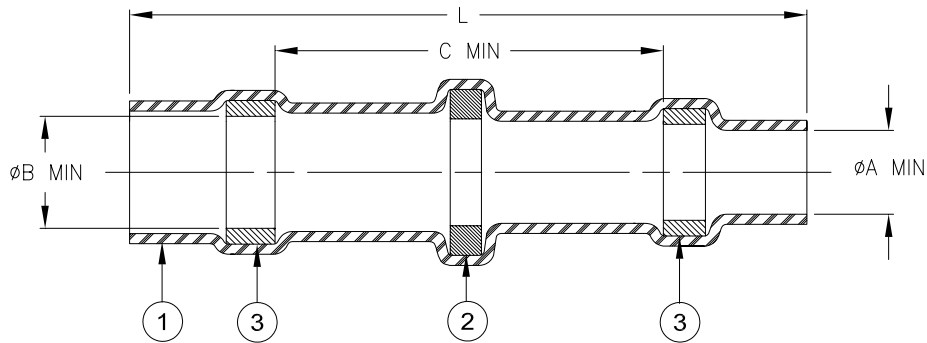
Tel: +86-755-8981 8866 Fax: +86-755-8427 6832

Email & Skype: info@chipsmall.com Web: www.chipsmall.com

Address: A1208, Overseas Decoration Building, #122 Zhenhua RD., Futian, Shenzhen, China



SPECIFICATION CONTROL DRAWING



Product Name	Product Dimensions				Cable Dimensions					Qty: Item 2
	L±1.75 [L±0.070]	øA min	øB min	C min	D max	øE min	øF min	øG max	J±0.75 [J±0.030]	
ST58-1-00	16.50 [0.650]	1.90 [0.075]	2.65 [0.105]	8.25 [0.325]	2.65 [0.105]	0.90 [0.035]	0.50 [0.020]	1.90 [0.075]	7.50 [0.295]	1
ST58-2-00	16.50 [0.650]	2.65 [0.105]	3.68 [0.145]	8.25 [0.325]	3.68 [0.145]	1.40 [0.055]	0.72 [0.030]	2.65 [0.105]	7.50 [0.295]	1
ST58-3-00	16.50 [0.650]	4.30 [0.170]	5.08 [0.200]	8.25 [0.325]	5.08 [0.200]	2.15 [0.085]	1.25 [0.050]	4.30 [0.170]	7.50 [0.295]	1
ST58-4-00	19.10 [0.750]	5.95 [0.235]	6.45 [0.255]	8.25 [0.325]	6.45 [0.255]	3.30 [0.130]	1.80 [0.070]	5.95 [0.235]	7.50 [0.295]	1
ST58-5-00	19.10 [0.750]	7.00 [0.275]	7.60 [0.300]	8.25 [0.325]	7.60 [0.300]	4.30 [0.170]	2.50 [0.100]	7.00 [0.275]	7.50 [0.295]	1
ST58-7-00	27.90 [1.098]	10.80 [0.425]	11.65 [0.459]	13.35 [0.526]	11.65 [0.459]	5.70 [0.224]	4.30 [0.169]	10.80 [0.425]	9.50 [0.375]	2
ST58-8-00	27.90 [1.098]	13.35 [0.526]	13.84 [0.545]	13.35 [0.526]	13.84 [0.545]	8.90 [0.350]	6.35 [0.250]	13.35 [0.526]	9.50 [0.375]	2

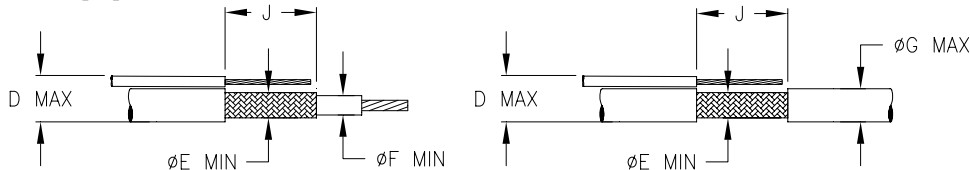
MATERIALS

- INSULATION SLEEVE: Heat-shrinkable, transparent blue, radiation cross-linked modified polyvinylidene fluoride.
- SOLDER PREFORM WITH FLUX. Qty: see table
 SOLDER: TYPE Sn42Bi58 per ANSI / J-STD-006.
 FLUX: TYPE ROL1 per ANSI / J-STD-004.
- MELTABLE RINGS: Stabilized thermoplastic. Color: size 1 to 5 = blue, size 7 & 8 = one blue and one clear.

APPLICATION

- These parts are designed to provide an environment protected shield terminations on cables, rated for 105°C minimum, meeting the dimensional criteria listed, having tin or silver-plated shields.
- When installed per Tyco Electronics / Raychem process standard RCPS-100-70, assemblies will meet requirements of Tyco Electronics / Raychem Specification RT-1404.
- Temperature range: -55°C to +125°C.

For best results, prepare the cable as shown:



tyco Electronics		Tyco Electronics Corporation 300 Constitution Drive, Menlo Park, CA. 94025, U.S.A.		Raychem		TITLE: SOLDERSLEEVE SHIELD TERMINATOR, LOW TEMPERATURE, RoHS COMPLIANT	
Unless otherwise specified dimensions are in millimeters. [Inches dimensions are shown in brackets]				DOCUMENT NO.: ST58-X-00			
TOLERANCES: 0.00 N/A 0.0 N/A 0 N/A		ANGLES: N/A ROUGHNESS IN MICRON		Tyco Electronics reserves the right to amend this drawing at any time. Users should evaluate the suitability of the product for their application.		REV.: B	
DATE: May 5, 2006		SCALE: ----		SIZE: A		SHEET: 1 of 1	
DRAWN BY: M. FORONDA		CAGE CODE: 06090		REPLACES: D060037		DCR NUMBER: D060072	