



Chipsmall Limited consists of a professional team with an average of over 10 year of expertise in the distribution of electronic components. Based in Hongkong, we have already established firm and mutual-benefit business relationships with customers from,Europe,America and south Asia,supplying obsolete and hard-to-find components to meet their specific needs.

With the principle of “Quality Parts,Customers Priority,Honest Operation,and Considerate Service”,our business mainly focus on the distribution of electronic components. Line cards we deal with include Microchip,ALPS,ROHM,Xilinx,Pulse,ON,Everlight and Freescale. Main products comprise IC,Modules,Potentiometer,IC Socket,Relay,Connector.Our parts cover such applications as commercial,industrial, and automotives areas.

We are looking forward to setting up business relationship with you and hope to provide you with the best service and solution. Let us make a better world for our industry!



Contact us

Tel: +86-755-8981 8866 Fax: +86-755-8427 6832

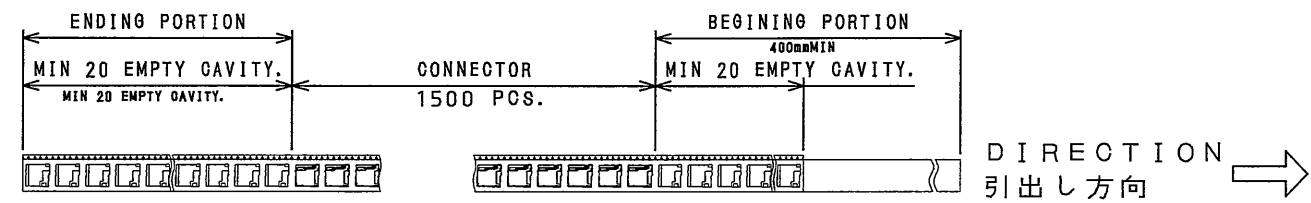
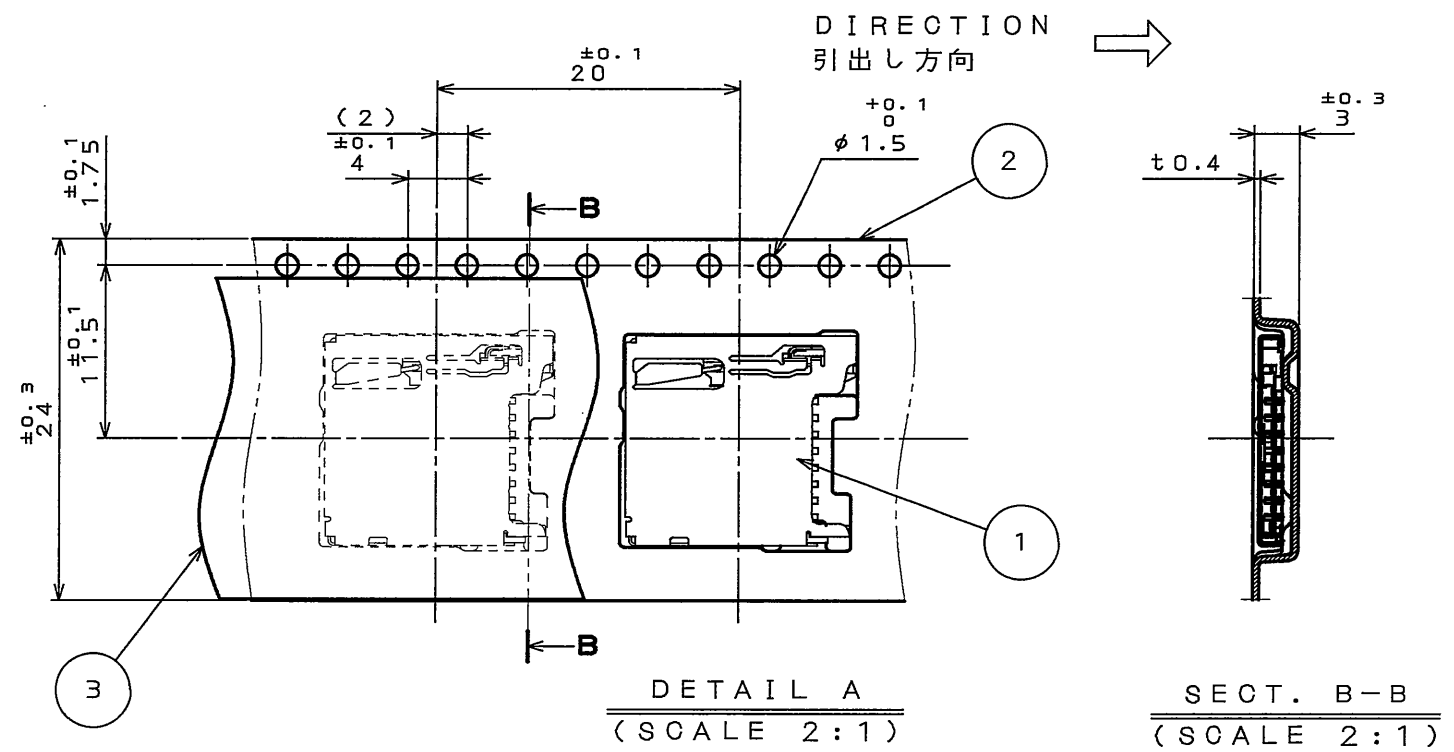
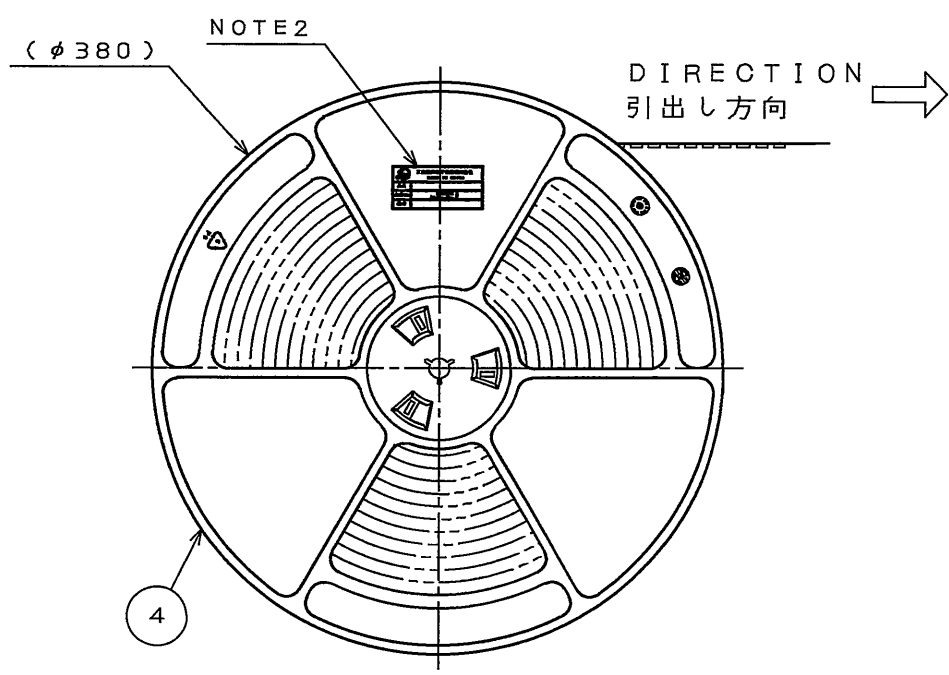
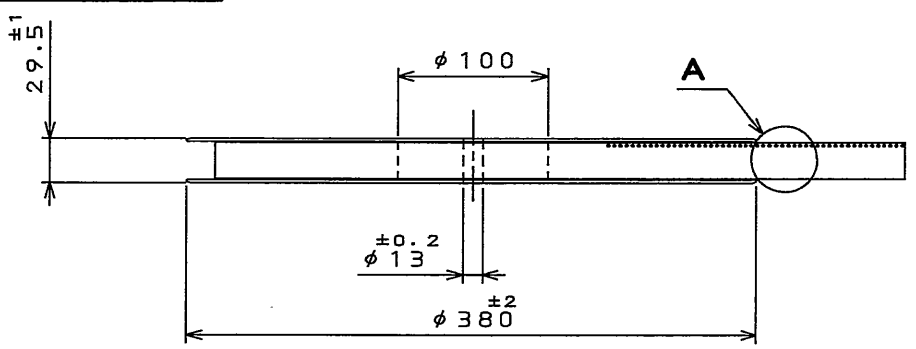
Email & Skype: info@chipsmall.com Web: www.chipsmall.com

Address: A1208, Overseas Decoration Building, #122 Zhenhua RD., Futian, Shenzhen, China



SJ107291
(ON 0NIMVING) 図番

版数 REV.	年月日 DATE	DCN NO.	変更内容 DESCRIPTION	製図 DR.	担当 CHK.	査閲 APPD.	承認 APPD.



NOTE1. SUFFIX "R1500" OF THE PART NUMBER INDICATES THAT 1500 PCS. OF ST6S008V4A CONNECTORS ARE ACCOMODATED IN ONE REEL.
 2. THE LABEL IS TO BE ATTACHED ON THE MAGAZINE AS SHOWN
 3. REFER TO THE DRAWING . SJ107290(ST6S008V4A) FOR THE DIMENSION OF THE CONNECTOR.

- 注1. "ST6S008V4AR1500"は
 収納数1500個入りのリールに収納された品名を表す。
 2. 図示の位置に 下記のシールを貼り
 品名, 収納数, ロットNo. 及びテープの幅と送りピッチを記入すること。
 3. コネクタ寸法は SJ107290(ST6S008V4A)参照.

日本航空電子工業株式会社 MADE IN CHINA	
品名	ST6S008V4AR1500
収納数	1500 個入
備考	TB2420

符号 NO.	名称 DESCRIPTION	個数 QTY.	材 料 MATERIAL	仕 上 FINISH	備 考 REMARKS
4	REEL	1	PLASTIC	—	—
3	COVER TAPE	1	POLYESTER	—	—
2	CARRIER TAPE	1	PS	—	—
1	CONNECTOR	1500	—	—	SJ107290

仕様書 (SPECIFICATION) JAGS-10408*	第1版 (ORIGINAL DATE) 26.Feb.2007	尺 度 (SCALE) 1:5	シリーズ (SERIES) ST6
公差 (GENERAL TOLERANCE)	製 図 DR.	名 称 (TITLE) ST6S008V4AR1500	
寸法 (DIMENSION) 角度 (ANGLES)	担 当 CHK. J.MOTOJIMA	日 本 航 空 電 子 工 業 株 式 有 限 公 司 JAPAN AVIATION ELECTRONICS INDUSTRY, LTD.	
. ±0.8 X° ±	査 閲 APPD.	図面番号 (DRAWING NO.) SJ107291	
.X ±0.4 X°X' ±	承 認 APPD. A. Natoru	質 量 (MASS)	版 数 (REV.) 1
.XX ±0.1			
.XXX ±			

DOF-0-212F(05.08)

