



Chipsmall Limited consists of a professional team with an average of over 10 year of expertise in the distribution of electronic components. Based in Hongkong, we have already established firm and mutual-benefit business relationships with customers from,Europe,America and south Asia,supplying obsolete and hard-to-find components to meet their specific needs.

With the principle of “Quality Parts,Customers Priority,Honest Operation,and Considerate Service”,our business mainly focus on the distribution of electronic components. Line cards we deal with include Microchip,ALPS,ROHM,Xilinx,Pulse,ON,Everlight and Freescale. Main products comprise IC,Modules,Potentiometer,IC Socket,Relay,Connector.Our parts cover such applications as commercial,industrial, and automotives areas.

We are looking forward to setting up business relationship with you and hope to provide you with the best service and solution. Let us make a better world for our industry!



Contact us

Tel: +86-755-8981 8866 Fax: +86-755-8427 6832

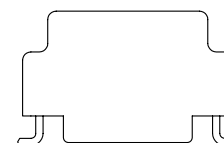
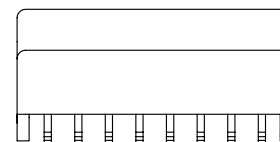
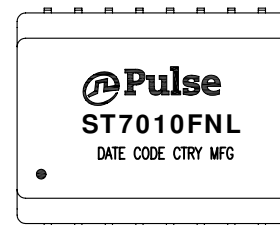
Email & Skype: info@chipsmall.com Web: www.chipsmall.com

Address: A1208, Overseas Decoration Building, #122 Zhenhua RD., Futian, Shenzhen, China



NOTES:

1. ROHS COMPLIANT
2. HEADER: PHENOLIC WITH FLAMMABILITY RATING UL 94V-0 OR BETTER.
3. STORAGE TEMPERATURE: -20°C TO +125°C
4. COMPLIANCE TO J-STD:
 - A. J-STD-002: SOLDERABILITY AT 245°C REFLOW PROFILE
 - B. J-STD-020: LEVEL 1, NO MOISTURE SENSITIVE
 - C. J-STD-075: R7, 245°C MAXIMUM THROUGH REFLOW SOLDER
5. TO ORDER TAPE & REEL PACKAGING ADD A "T" SUFFIX TO THE PART NUMBER(i.e ST7010FNL BECOMES ST7010FNLT).

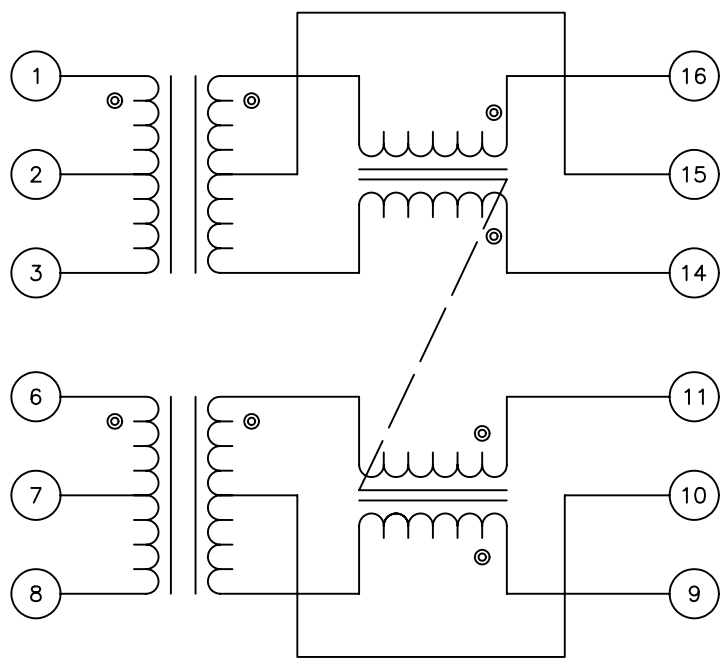


FINAL OUTLINE

© Copyright, 2014. Pulse Electronics Corp. All rights reserved. Pulse confidential & proprietary. (06/11/14)

PRODUCT DESCRIPTION	TLA DRAWING	PS DRAWING	SHEET	PART NO.	DATASHEET REV.
MDL,SIN,10D,1:1.414 SM,TU	ST7010FNL-10	PS-2755.001-A	1 OF 3	ST7010FNL	A

ELECTRICAL CHARACTERISTICS AT +25°C UNLESS OTHER SPECIFIED

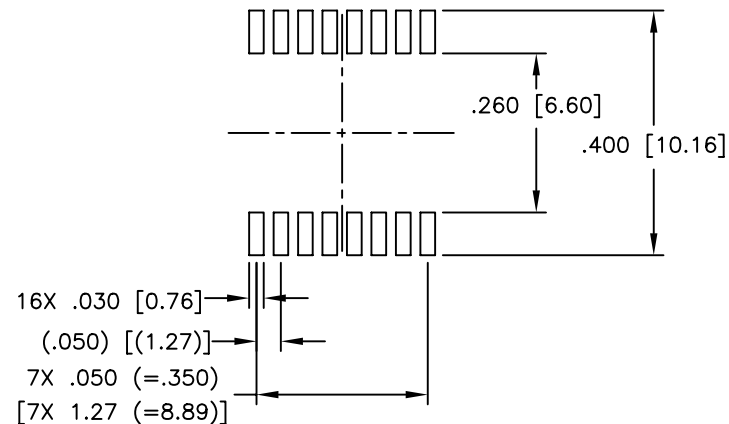
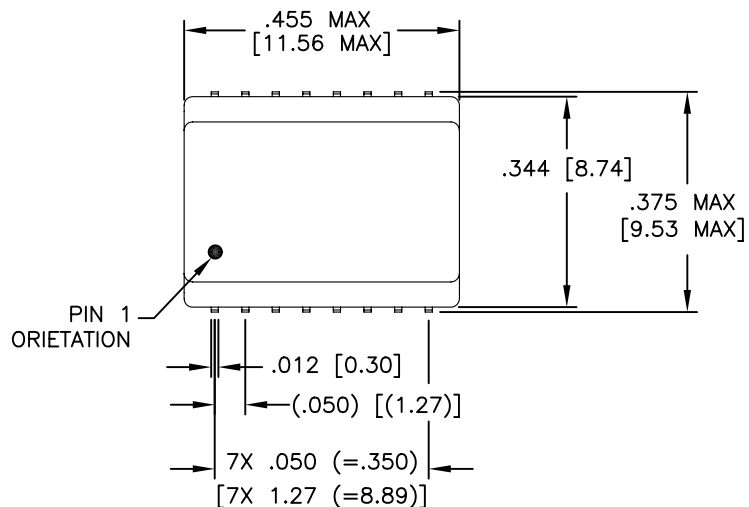


SCHEMATIC

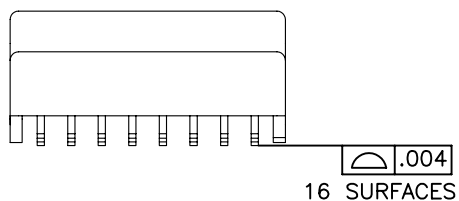
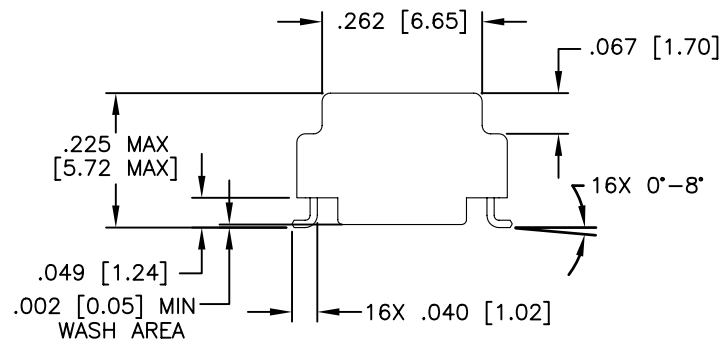
PARAMETER	SPECIFICATIONS				
OPERATING TEMPERATURE	0°C ~ +70°C				
POLARITY	PER SCHEMATIC				
URNS RATIO	$(6-8)/(11-9) = 1 : 1.414 \pm 5\%$ $(1-3)/(16-14) = 1 : 1 \pm 5\%$				
INDUCTANCE (OCL) @ 20 mV, 10 KHz	$(1-3) = 175 \mu\text{H MIN}$ $(6-8) = 80 \mu\text{H MIN}$ $15-(14, 16) = 18-60 \mu\text{H}$				
DC RESISTANCE	0.9 OHMS MAX				
LL	$(1-3) \text{ SHORTED } (14-16) = .40 \mu\text{H MAX @ } 1 \text{ MHz MIN}$ $(9-11) \text{ SHORTED } (6-8) = .55 \mu\text{H MAX @ } 1 \text{ MHz MIN}$				
CWW	20 pF MAX (AT 140 KHz, 1 V)				
BETWEEN CHANNEL ISOLATION	1500 VRMS FOR 60 SECONDS				
Zp 15-(14, 16)	10 MHz	20-30 MHz	55 MHz	70 MHz	100 MHz
	650 OHMS	950 OHMS MIN	550 OHMS MIN	400 OHMS MIN	200 OHMS MIN

© Copyright, 2014. Pulse Electronics Corp. All rights reserved. Pulse confidential & proprietary. (06/11/14)

PRODUCT DESCRIPTION	TLA DRAWING	PS DRAWING	SHEET	PART NO.	DATASHEET REV.
MDL,SIN,10D,1:1.414 SM,TU	ST7010FNL-10	PS-2755.001-A	2 OF 3	ST7010FNL	A



SUGGESTED LAND PATTERN



DIMENSIONS ARE IN INCHES [MILLIMETERS] WITH THE FOLLOWING TOLERANCES: [MILLIMETERS] ARE FOR REFERENCE ONLY.
 .XX= ±.01 [±0.25]
 .XXX= ±.005 [±0.13]

© Copyright, 2014. Pulse Electronics Corp. All rights reserved. Pulse confidential & proprietary. (06/11/14)

PRODUCT DESCRIPTION	TLA DRAWING	PS DRAWING	SHEET	PART NO.	DATASHEET REV.
MDL,SIN,10D,1:1.414 SM,TU	ST7010FNL-10	PS-2755.001-A	3 OF 3	ST7010FNL	A