



Chipsmall Limited consists of a professional team with an average of over 10 year of expertise in the distribution of electronic components. Based in Hongkong, we have already established firm and mutual-benefit business relationships with customers from,Europe,America and south Asia,supplying obsolete and hard-to-find components to meet their specific needs.

With the principle of “Quality Parts,Customers Priority,Honest Operation,and Considerate Service”,our business mainly focus on the distribution of electronic components. Line cards we deal with include Microchip,ALPS,ROHM,Xilinx,Pulse,ON,Everlight and Freescale. Main products comprise IC,Modules,Potentiometer,IC Socket,Relay,Connector.Our parts cover such applications as commercial,industrial, and automotives areas.

We are looking forward to setting up business relationship with you and hope to provide you with the best service and solution. Let us make a better world for our industry!



Contact us

Tel: +86-755-8981 8866 Fax: +86-755-8427 6832

Email & Skype: info@chipsmall.com Web: www.chipsmall.com

Address: A1208, Overseas Decoration Building, #122 Zhenhua RD., Futian, Shenzhen, China



版数 REV.	年月日 DATE	DCN NO.	変更内容 DESCRIPTION	製図 DR.	担当 CHK.	査閲 APPD.	承認 APPD.
2	10.Jul.2008	066061	ADDED TOLERANCE		K.KUME		A.NATORI
3	17.Nov.2008	066983	CHANGED FORM		K.KUME		A.Natori

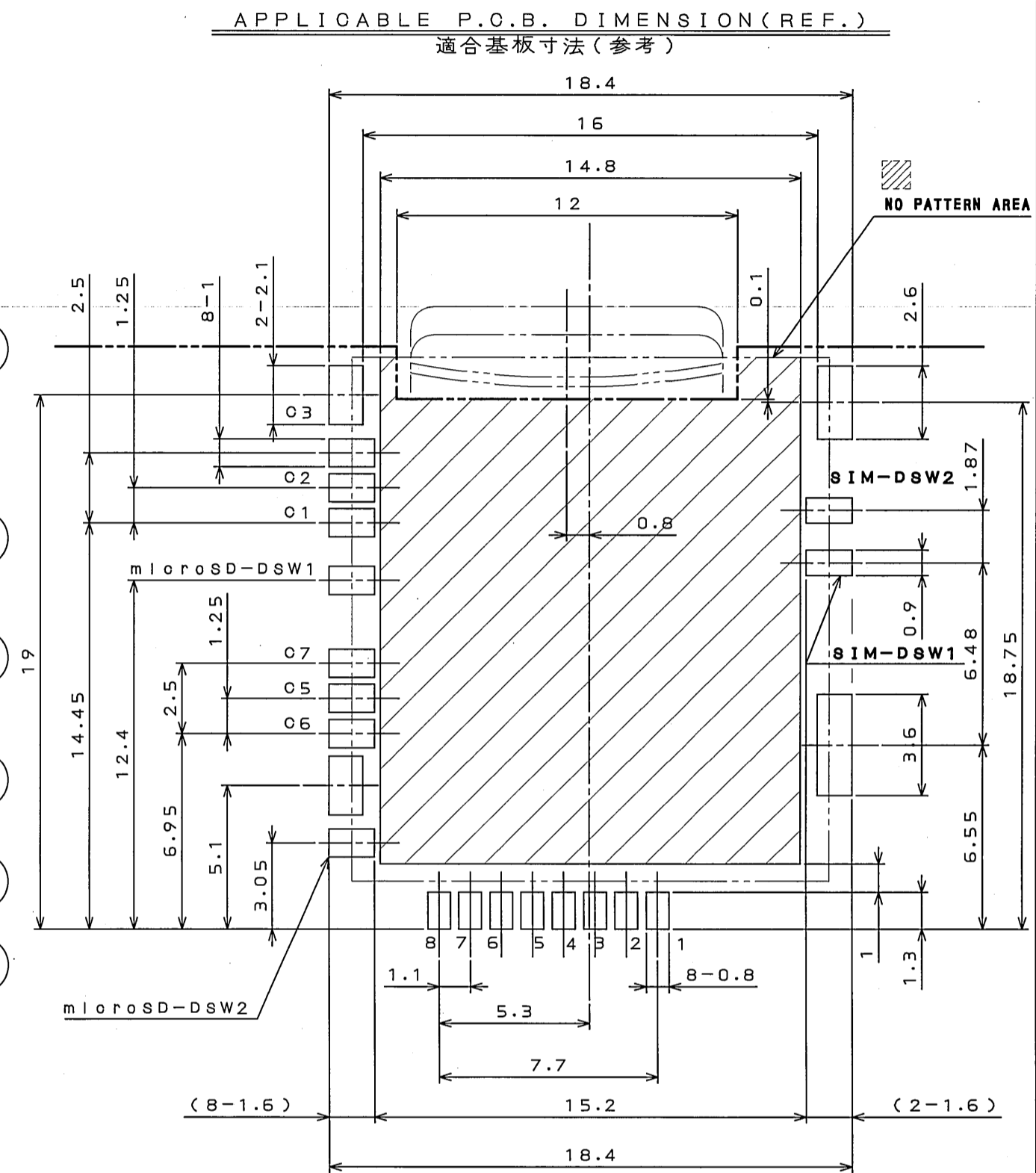
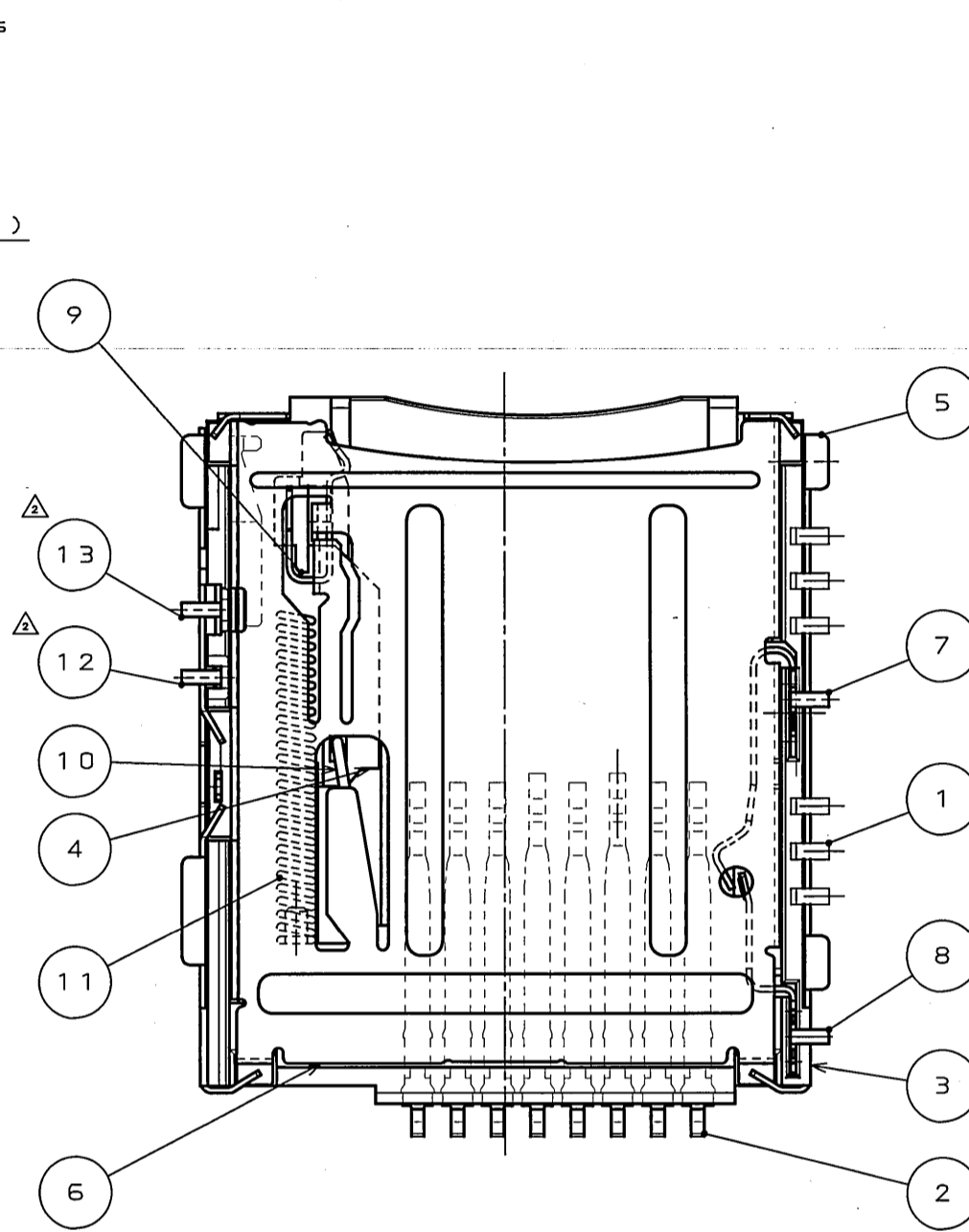
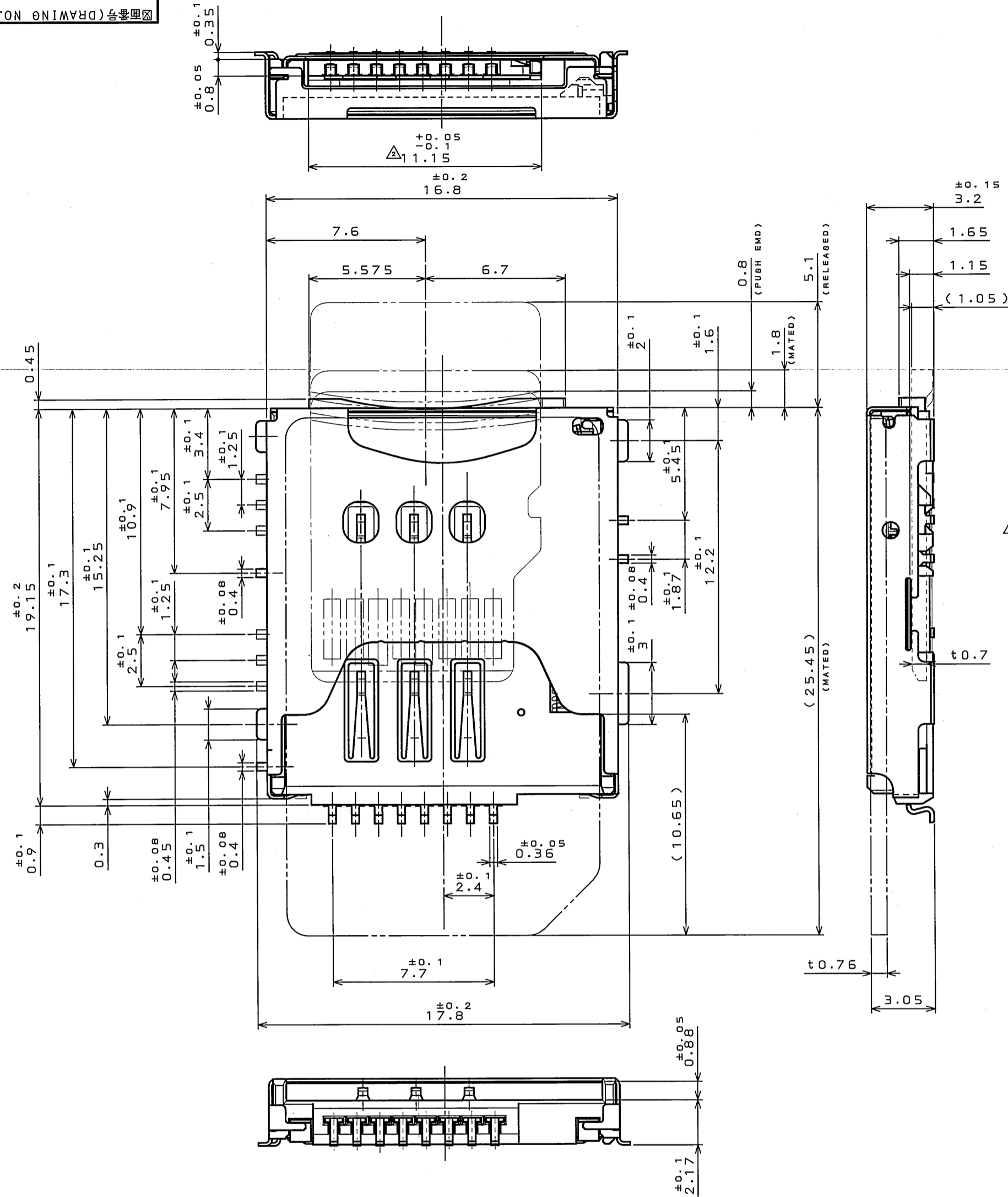


TABLE1.CIRCUIT(Detection Switch)

	WITHOUT CARD	CARD MATED
microSD	7 ○ 8 VEND	7 ○ 8 VEND
SIM	12 ○ 13 VEND	12 ○ 13 VEND

13	DETECTION SWITCH 2	1	COPPER ALLOY	CONTACTING AREA:GOLD OVER NICKEL TERMINAL AREA:GOLD FLASH OVER NICKEL
12	DETECTION SWITCH 1	1	COPPER ALLOY	CONTACTING AREA:GOLD OVER NICKEL TERMINAL AREA:GOLD FLASH OVER NICKEL
11	SPRING	1	STAINLESS WIRE	
10	CAM FOLLOWER	1	STAINLESS	
9	LOCK	1	STAINLESS	
8	DETECTION SWITCH 2	1	COPPER ALLOY	CONTACTING AREA:GOLD OVER NICKEL TERMINAL AREA:GOLD FLASH OVER NICKEL
7	DETECTION SWITCH 1	1	COPPER ALLOY	CONTACTING AREA:GOLD OVER NICKEL TERMINAL AREA:GOLD FLASH OVER NICKEL
6	COVER FRAME	1	STAINLESS	TERMINAL AREA:GOLD FLASH OVER NICKEL
5	COVER FRAME	1	STAINLESS	TERMINAL AREA:GOLD FLASH OVER NICKEL
4	EJECT LEVER	1	GLASS FILLED NY	
3	HOUSING	1	GLASS FILLED LCP	UL94 V-0
2	CONTACT(microSD)	8	COPPER ALLOY	CONTACTING AREA:GOLD OVER NICKEL TERMINAL AREA:GOLD FLASH OVER NICKEL
1	CONTACT (SIM)	6	COPPER ALLOY	CONTACTING AREA:GOLD OVER NICKEL TERMINAL AREA:GOLD FLASH OVER NICKEL

符号 NO.	名称 DESCRIPTION	個数 QTY.	材料 MATERIAL	仕上 FINISH	備考 REMARKS
仕様書(SPECIFICATION) JACS-10430					
第1版(ORIGINAL DATE) 18.Jun.2008			尺度(SCALE) 5:1		シリーズ(SERIES) ST7
製図 DR.			担当 CHK. K.KUME		名称(TITLE) ST7S014V4B
公差差(GENERAL TOLERANCE)			製図 APPD.		日本航空電子工業株式会社 JAPAN AVIATION ELECTRONICS INDUSTRY, LTD.
寸法(DIMENSION)			承認 APPD.		
角度(ANGLES)			承認 APPD. A.NATORI		
質量(MASS)			承認 APPD.		
図面番号(DRAWING NO.) SJ108850					