



Chipsmall Limited consists of a professional team with an average of over 10 year of expertise in the distribution of electronic components. Based in Hongkong, we have already established firm and mutual-benefit business relationships with customers from,Europe,America and south Asia,supplying obsolete and hard-to-find components to meet their specific needs.

With the principle of “Quality Parts,Customers Priority,Honest Operation,and Considerate Service”,our business mainly focus on the distribution of electronic components. Line cards we deal with include Microchip,ALPS,ROHM,Xilinx,Pulse,ON,Everlight and Freescale. Main products comprise IC,Modules,Potentiometer,IC Socket,Relay,Connector.Our parts cover such applications as commercial,industrial, and automotives areas.

We are looking forward to setting up business relationship with you and hope to provide you with the best service and solution. Let us make a better world for our industry!



Contact us

Tel: +86-755-8981 8866 Fax: +86-755-8427 6832

Email & Skype: info@chipsmall.com Web: www.chipsmall.com

Address: A1208, Overseas Decoration Building, #122 Zhenhua RD., Futian, Shenzhen, China



NPN RF silicon transistor

Features

- High efficiency
- Common emitter configuration
- Broadband performances $P_{OUT} = 29$ dBm with 14 dB gain @ 900 MHz
- Plastic package
- Linear and non linear operation
- Supplied in tape and reel
- In compliance with the 2002/95/EC european directive

Description

The START499D provide the market with a Si state-of-art RF process. Manufactured with ST 3rd generation bipolar process, it offers the highest power, gain and efficiency in SOT-89 for given breakdown voltage (BVCEo). START499D is suitable for a wide range of application up to 1 GHz.

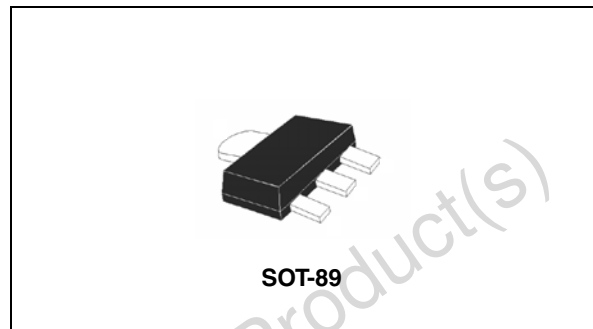


Figure 1. Pin connection

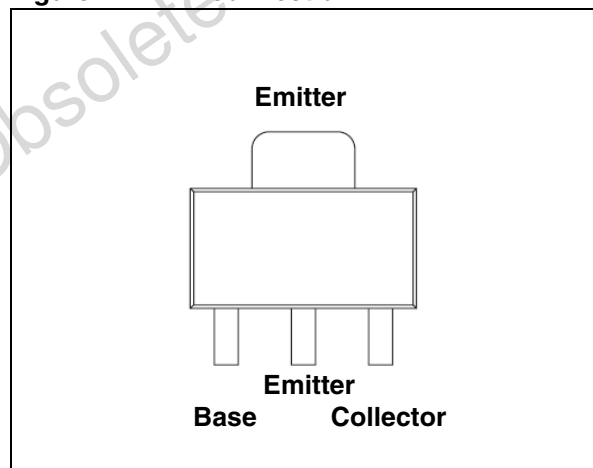


Table 1. Device summary

Order code	Marking	Package	Packaging
START499D	D499	SOT-89	Tape and reel

Contents

1	Electrical data	3
1.1	Maximum ratings	3
1.2	Thermal data	3
2	Electrical characteristics	4
2.1	Static	4
2.2	Dynamic	4
3	Impedance	5
4	Typical performance	6
5	Test circuit, part list and photo	10
6	Package mechanical data	12
6.1	Thermal pad and via design	14
6.2	Soldering profile	15
7	Revision history	17

Obsolete Product(s) - Obsolete Product(s)

1 Electrical data

1.1 Maximum ratings

Table 2. Absolute maximum ratings ($T_{CASE} = +25\text{ °C}$)

Symbol	Parameter	Value	Unit
V_{CEO}	Collector - emitter voltage	4.5	V
V_{EBO}	Emitter - base voltage	1.5	V
I_C	Collector current	1.0	A
P_{DISS}	Power dissipation	1.7	W
T_J	Max. operating junction temperature	150	°C
T_{STG}	Storage temperature	-65 to +150	°C

1.2 Thermal data

Table 3. Thermal data

Symbol	Parameter	Value	Unit
R_{thJC}	Junction - case thermal resistance	75	°C/W

2 Electrical characteristics

2.1 Static

Table 4. Static $T_{CASE} = +25\text{ }^{\circ}\text{C}$

Symbol	Test conditions	Min.	Typ.	Max.	Unit
I_{CBO}	$V_{CB} = 15\text{ V}$			5	μA
I_{EBO}	$V_{EB} = 1.2\text{ V}$			250	μA
BV_{CES}	$I_C = 200\text{ }\mu\text{A}$	15	20		V
h_{FE}	$V_{CE} = 3\text{ V}$ $I_C = 0.16\text{ A}$		150		

2.2 Dynamic

Table 5. Dynamic

Symbol	Test conditions	Min.	Typ.	Max.	Unit
P_{OUT}	$V_{CC} = 3.6\text{ V}$, $I_{CQ} = 30\text{ mA}$, $P_{IN} = 15\text{ dBm}$, $f = 900\text{ MHz}$	28	29		dBm
G_P		13	14		dB
h_D		55	65		%
Load mismatch	$V_{CC} = 3.6\text{ V}$, $I_{CQ} = 30\text{ mA}$, $P_{OUT} = 28\text{ dBm}$, $f = 900\text{ MHz}$ All phase angles	3:1			VSWR

3 Impedance

Figure 2. Current conventions

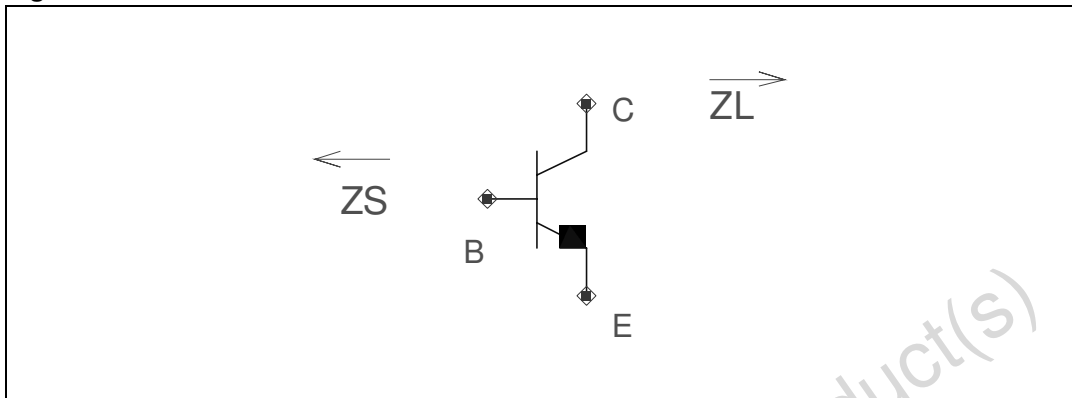


Table 6. Impedance data

Frequency (MHz)	$Z_{BS} (\Omega)$	$Z_{CL} (\Omega)$
800	16.58 - j4.04	17.95 - j5.49
820	15.81 - j3.81	16.28 - j5.11
840	15.04 - j3.53	14.77 - j4.67
860	14.31 - j3.21	13.44 - j4.15
880	13.61 - j2.83	12.25 - j3.54
900	12.93 - j2.44	11.19 - j2.90
920	12.27 - j2.01	10.24 - j2.22
940	11.66 - j1.53	9.40 - j1.52
960	11.06 - j1.04	8.65 - j0.81
980	10.52 - j0.54	7.99 - j0.11
1000	9.98 + j0.02	7.38 + j0.62

4 Typical performance

Figure 3. DC output characteristics

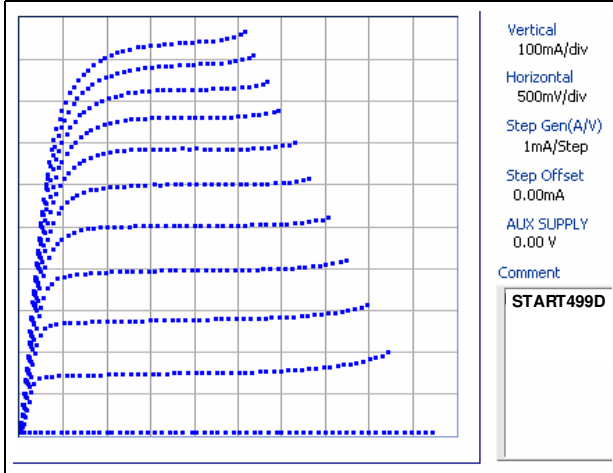


Figure 4. BVEBO

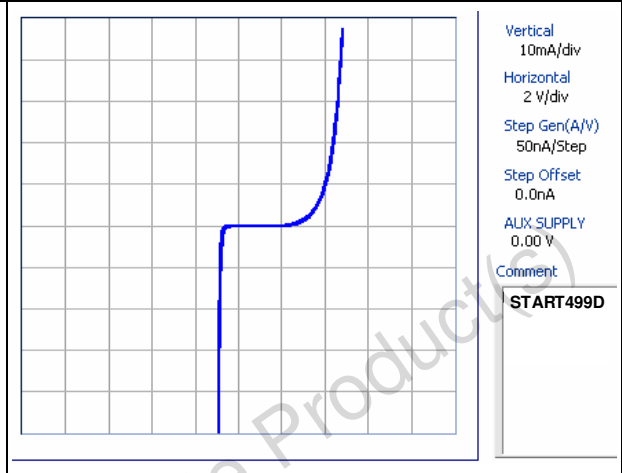


Figure 5. BVCES

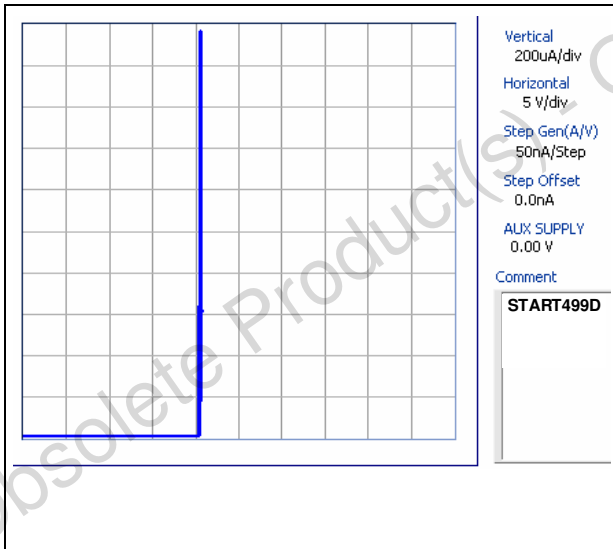


Figure 6. Gain vs frequency

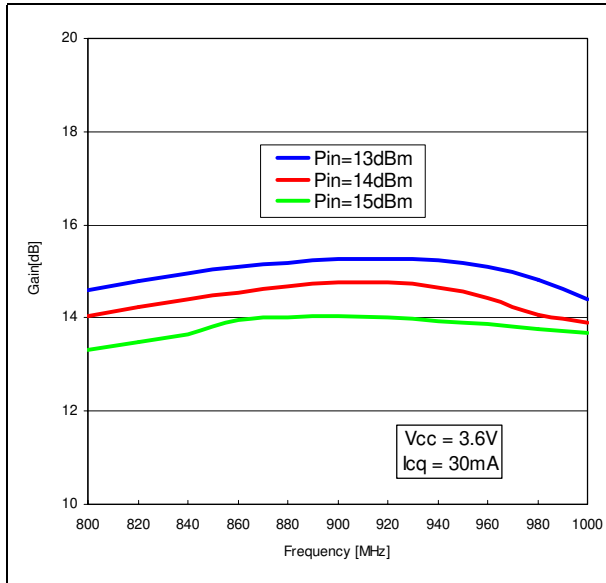


Figure 7. Efficiency vs frequency

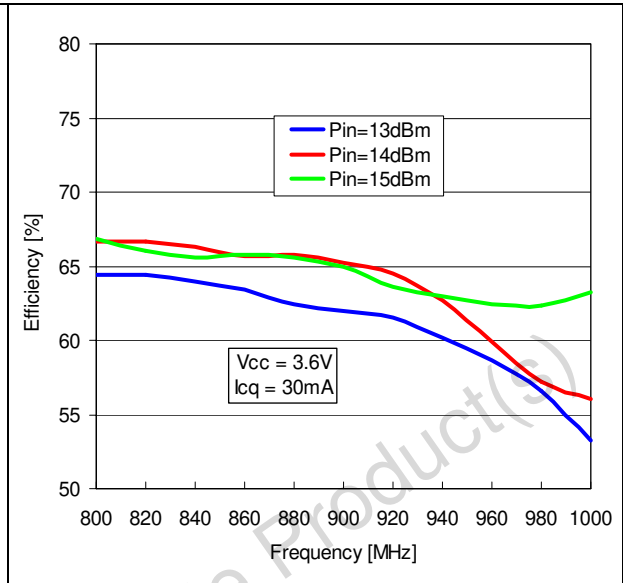


Figure 8. Gain and efficiency vs frequency

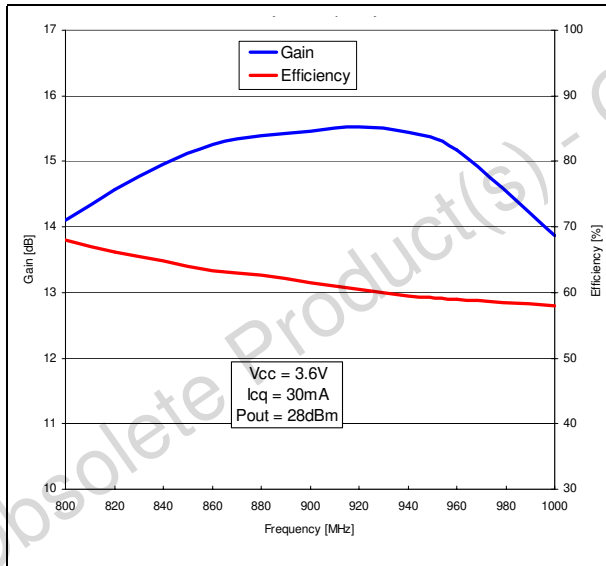


Figure 9. Harmonics vs frequency

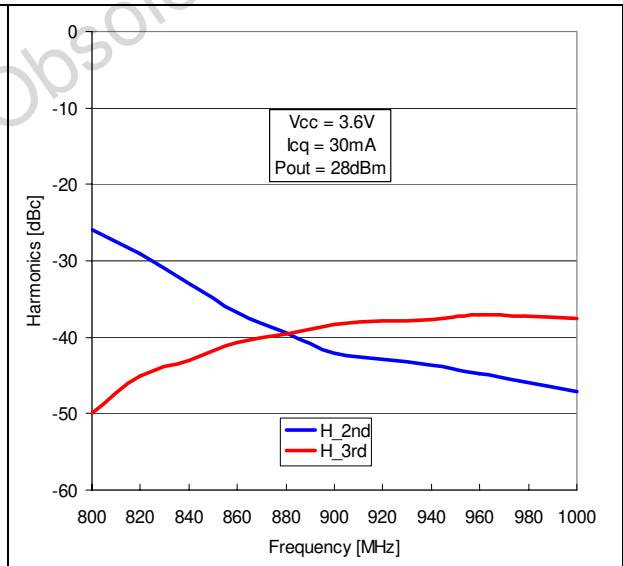


Figure 10. Input return loss vs frequency

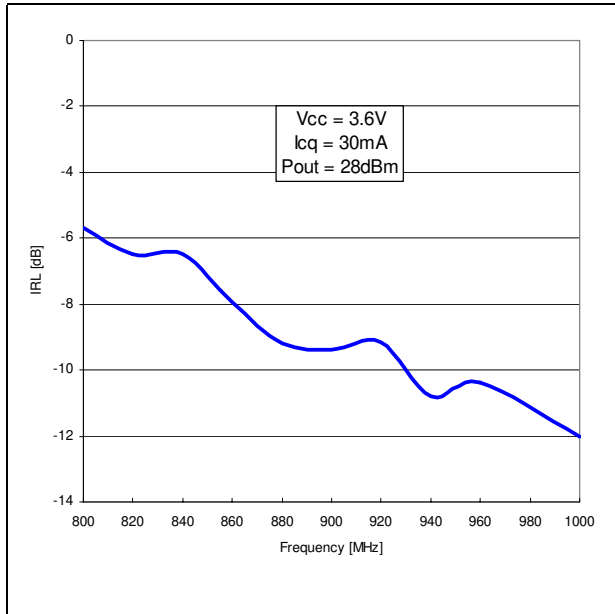


Figure 11. Gain vs output power

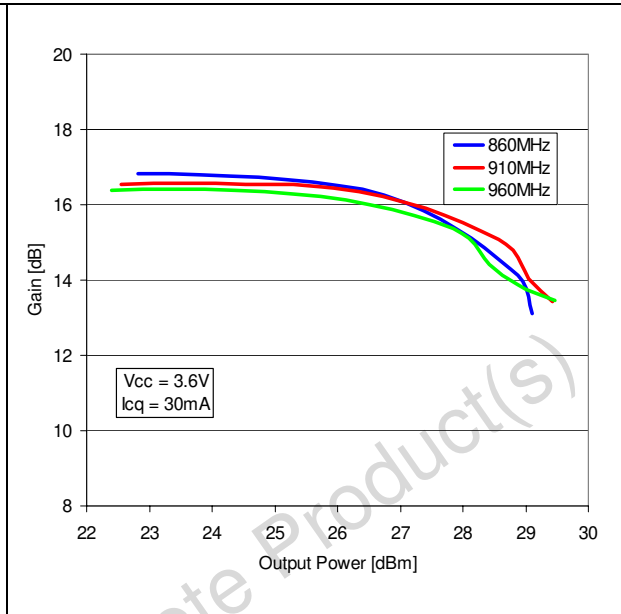


Figure 12. Efficiency vs output power

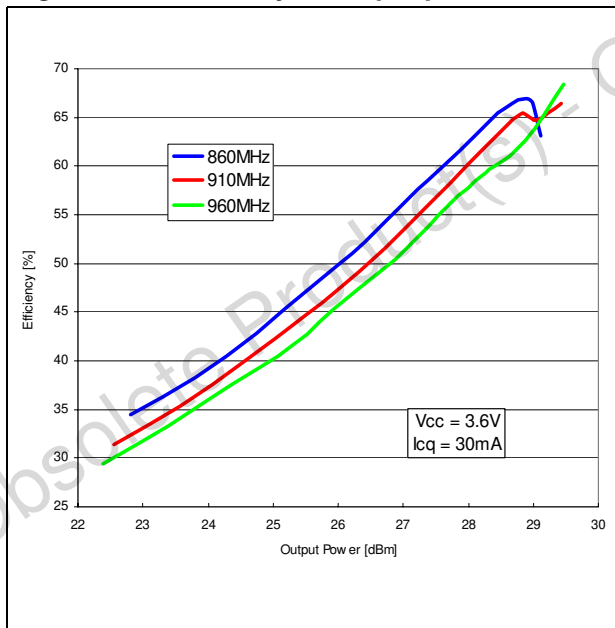


Figure 13. Gain vs output power

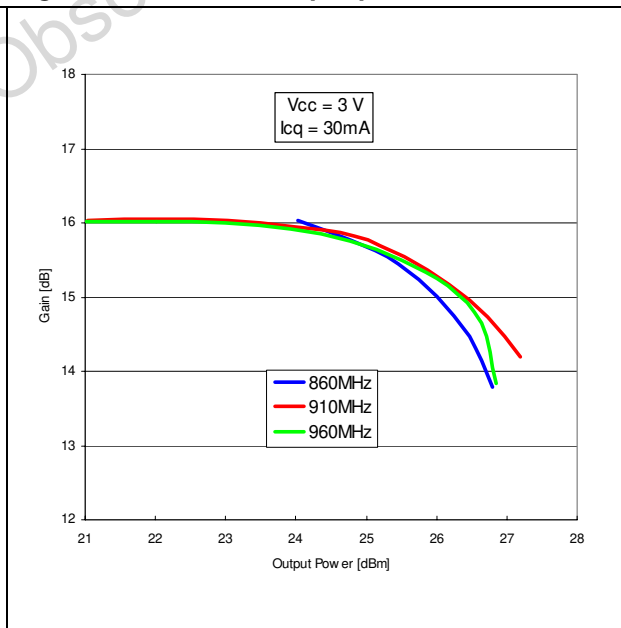


Figure 14. Efficiency vs output power

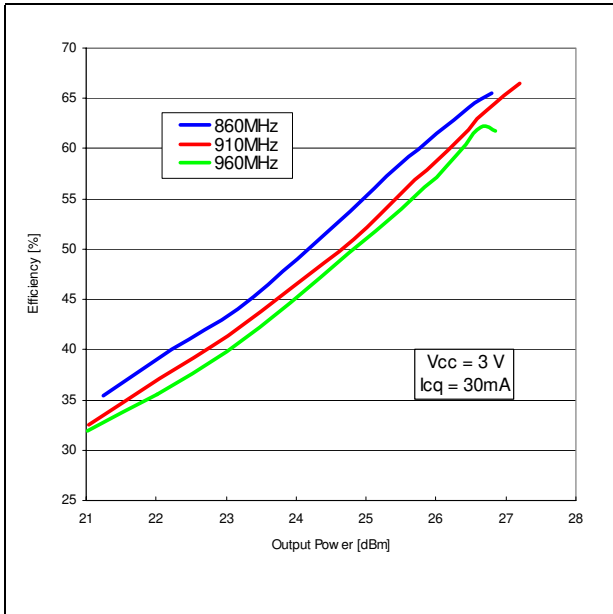


Figure 15. Gain vs output power

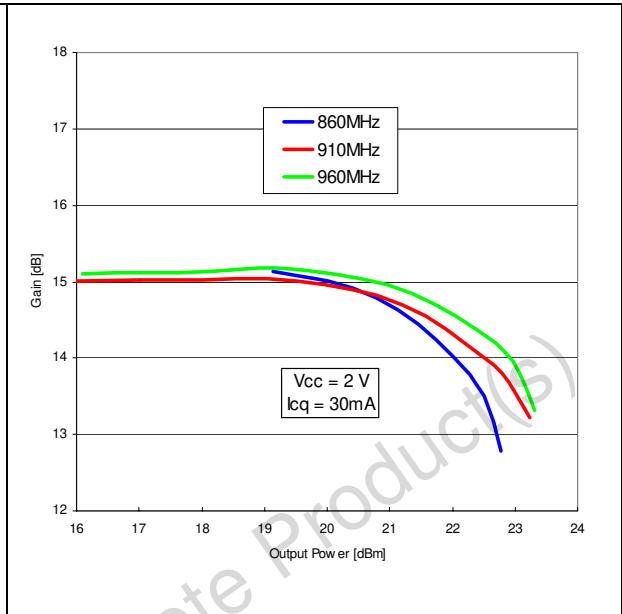
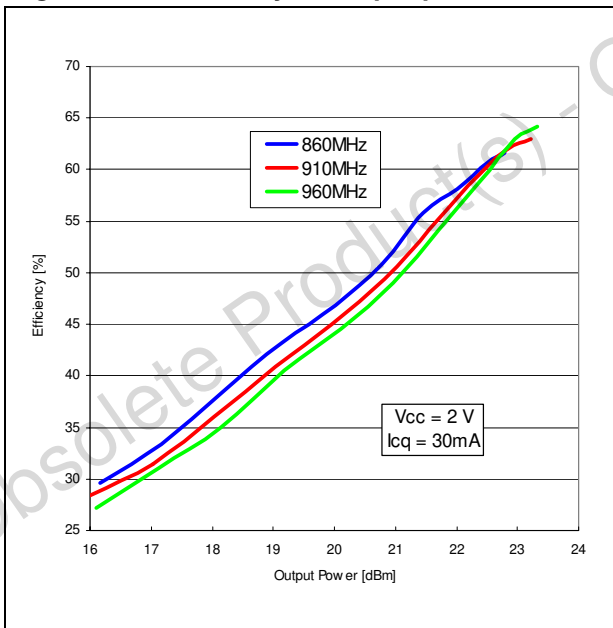


Figure 16. Efficiency vs output power



5 Test circuit, part list and photo

Figure 17. Test circuit schematic

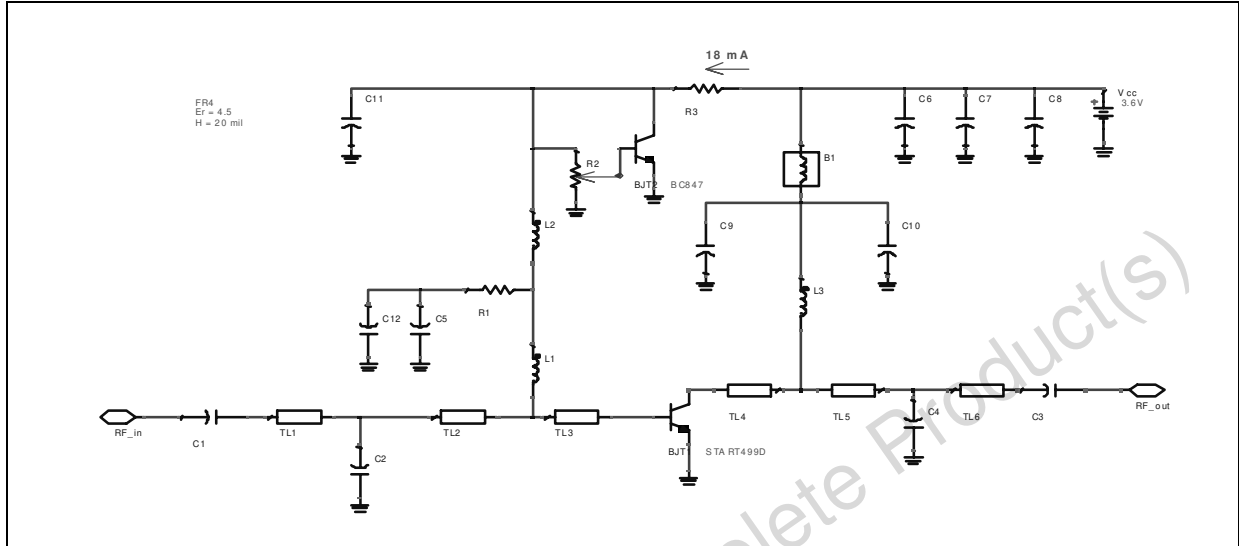


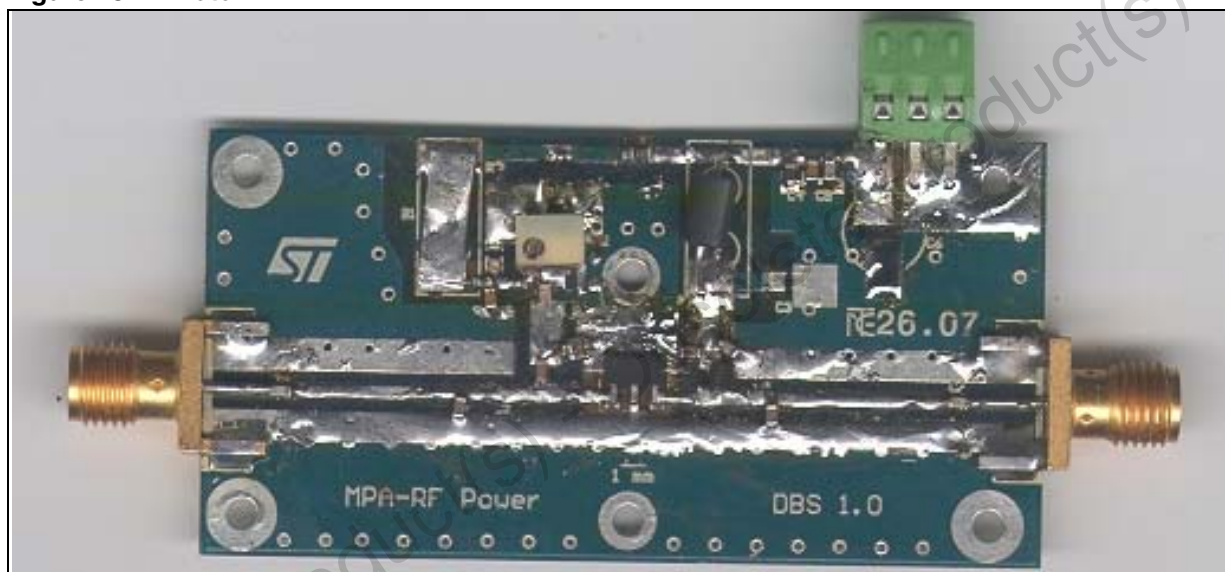
Table 7. Components part list

Component ID	Description	Value	Case size	Manufacturer	Part code
C1,C3,C5,C9	Capacitor	100 pF	1608	Murata	GRM1885C1H101JA01
C2	Capacitor	5.6 pF	1608	Murata	GRM1885C1HR50CZ01
C4	Capacitor	6.8 pF	1608	Murata	GRM1885C1H6R8CZ01
C6,C10,C11	Capacitor	1 nF	1608	Murata	GRM1885C1H102JA01
C7	Capacitor	10 nF	1608	Murata	GRM188R71H103KA01
C8	Capacitor	1 uF	1608	Murata	GRM188R71H105KA01
L1	Inductor	11 nH	1608	Coilcraft	0603CS-11NXGB
L2	Inductor	100 nH	1608	Coilcraft	0603CS-R10XGB
L3	Inductor	5.4 nH	2012	Coilcraft	0906-5JLB
B1	Ferrite bead			Panasonic	EXCELDRC35C
R1	Resister	30 ohm	1608		1608 chip resister (0.063 W, ±5 %)
R3	Resister	180 ohm	1608		
R2	Potentiometer	10 KΩ		Bourns electronics	3214W-1-103E
TL1	Transmission line	L=11.9 mm	W=0.9 mm		
TL2	Transmission line	L=5.0 mm	W=0.9 mm		
TL3	Transmission line	L=5.2 mm	W=0.9 mm		

Table 7. Components part list (continued)

Component ID	Description	Value	Case size	Manufacturer	Part code
TL4	Transmission line	L=3.5 mm	W=0.9 mm		
TL5	Transmission line	L=2.8 mm	W=0.9 mm		
TL6	Transmission line	L=12.2 mm	W=0.9 mm		
BJT2	BJT			STMicroelectronics	BC847
BJT1	BJT			STMicroelectronics	START499D
Board	FR4 Er=4.5 THk=0.020" 1OZ Cu both sides				

Figure 18. Photo



6 Package mechanical data

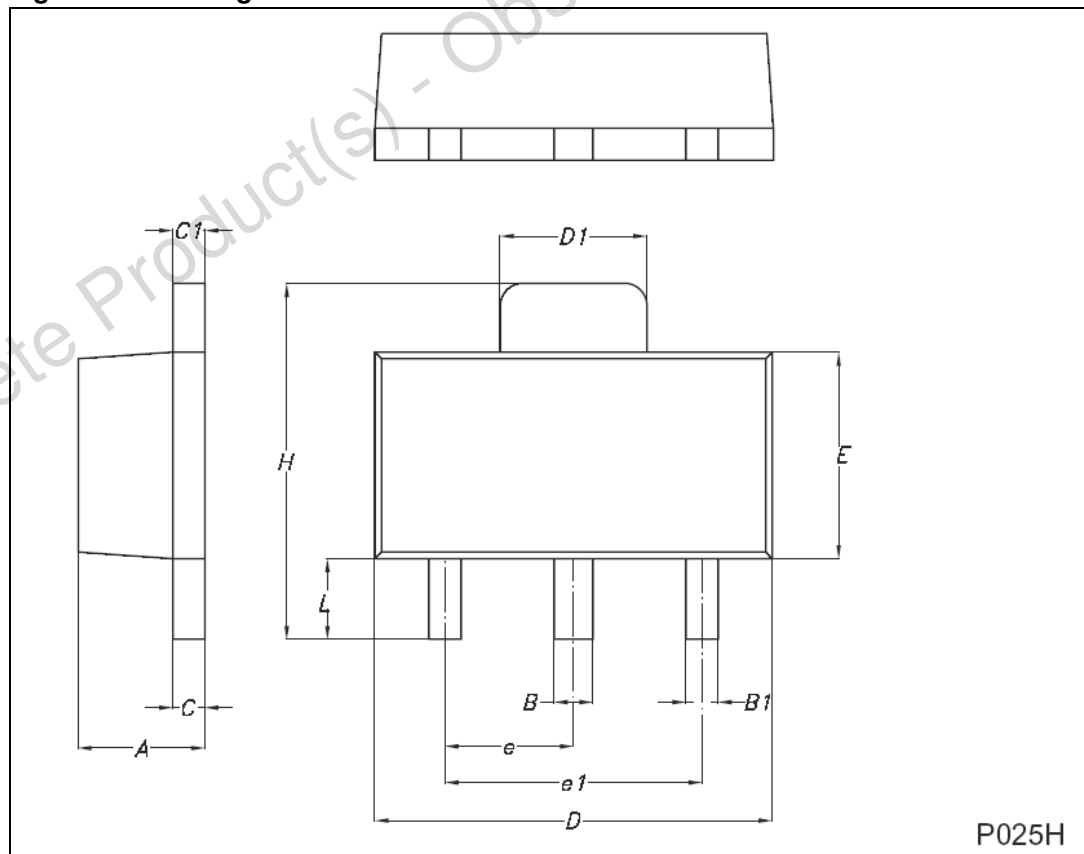
In order to meet environmental requirements, ST offers these devices in different grades of ECOPACK® packages, depending on their level of environmental compliance. ECOPACK® specifications, grade definitions and product status are available at: www.st.com. ECOPACK is an ST trademark.

Obsolete Product(s) - Obsolete Product(s)

Table 8. SOT-89 mechanical data

Dim.	mm.			Inch		
	Min	Typ	Max	Min	Typ	Max
A	1.4		1.6	55.1		63.0
B	0.44		0.56	17.3		22.0
B1	0.36		0.48	14.2		18.9
C	0.35		0.44	13.8		17.3
C1	0.35		0.44	13.8		17.3
D	4.4		4.6	173.2		181.1
D1	1.62		1.83	63.8		72.0
E	2.40		2.6	94.5		102.4
e	1.42		1.57	55.9		61.8
e1	2.92		3.07	115.0		120.9
H	3.94		4.25	155.1		167.3
L	0.89		1.2	35.0		47.2

Figure 19. Package dimensions

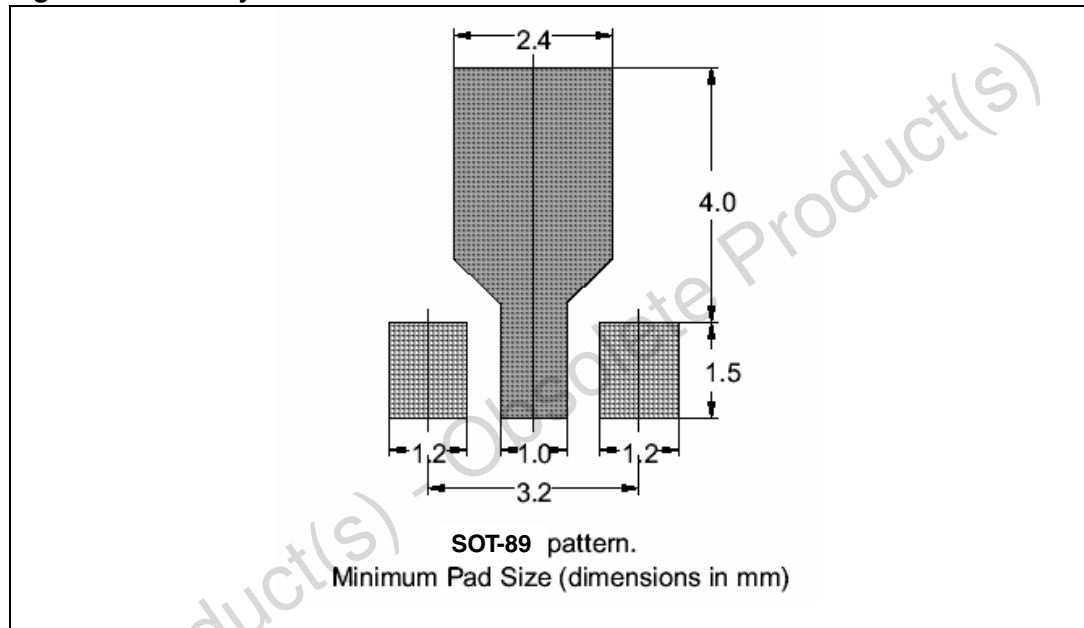


6.1 Thermal pad and via design

Thermal vias are required in the PCB layout to effectively conduct heat away from the package. The via pattern has been designed to address thermal, power dissipation and electrical requirements of the device.

The via pattern is based on thru-hole vias with 0.203 mm to 0.330 mm finished hole size on a 0.5 mm to 1.2 mm grid pattern with 0.025 plating on via walls. If micro vias are used in a design, it is suggested that the quantity of vias be increased by a 4:1 ratio to achieve similar results.

Figure 20. Pad layout details



6.2 Soldering profile

Figure 21 shows the recommended solder for devices that have Pb-free terminal plating and where a Pb-free solder is used.

Figure 21. Recommended solder profile

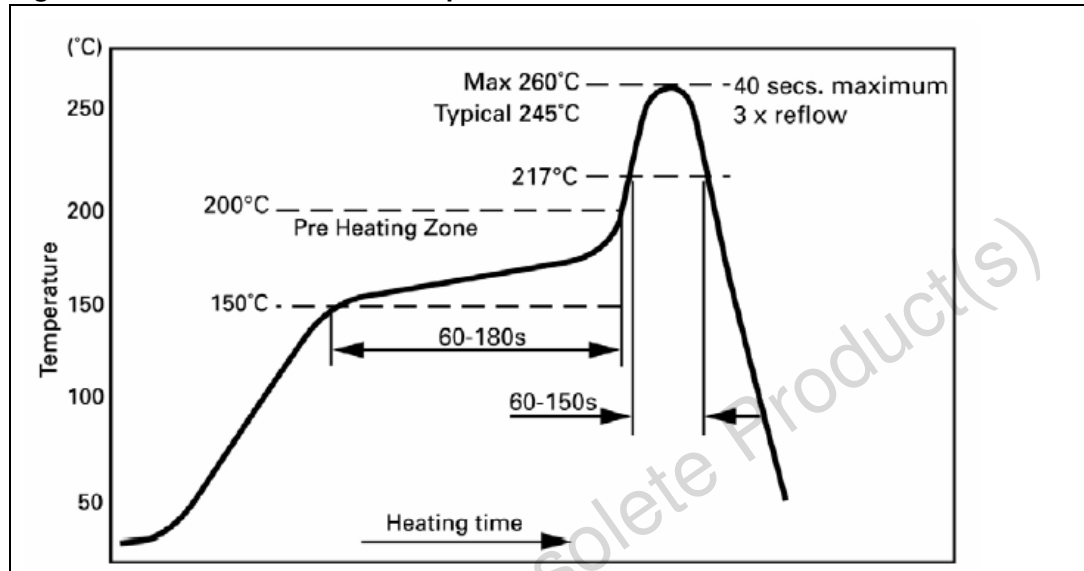


Figure 22 shows the recommended solder for devices with Pb-free terminal plating used with leaded solder, or for devices with leaded terminal plating used with a leaded solder.

Figure 22. Recommended solder profile for leaded devices

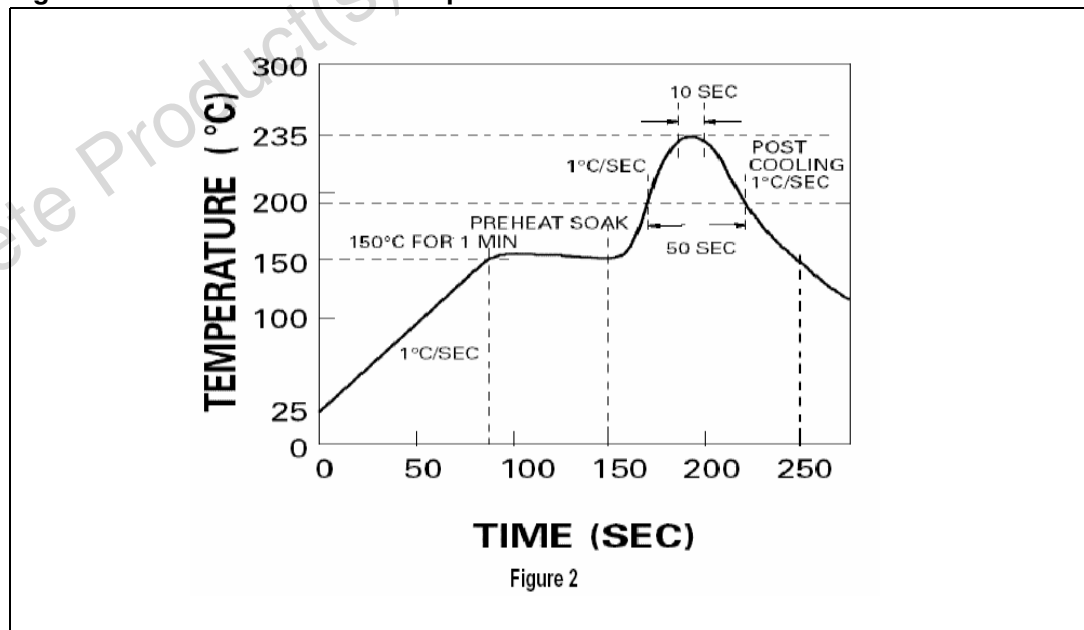
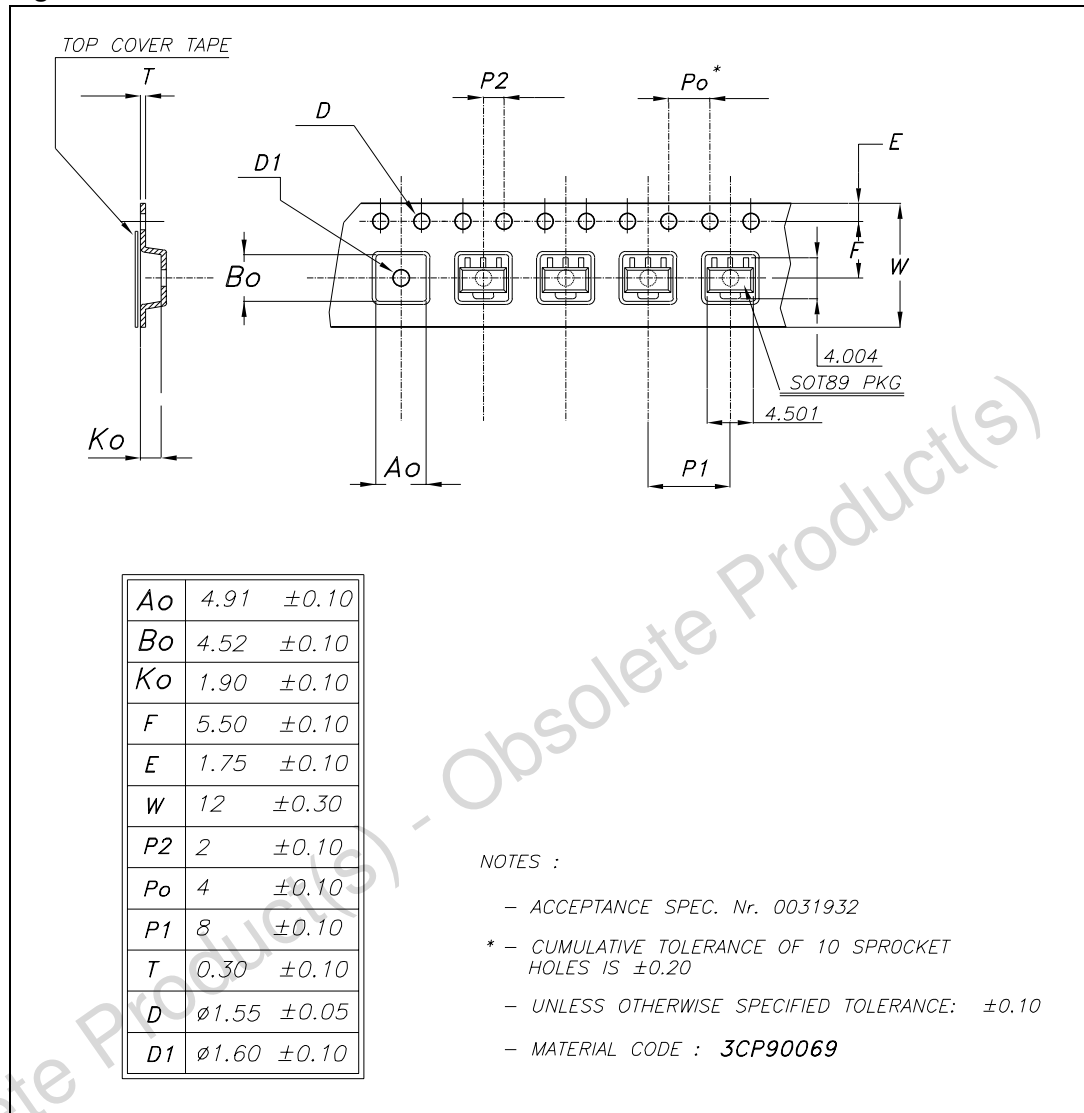


Figure 23. Reel information



7 Revision history

Table 9. Document revision history

Date	Revision	Changes
03-Mar-2008	1	Initial release.
15-Jul-2008	2	Updated Table 1 on page 1 .
17-Jul-2008	3	Values update on Table 4 on page 4 .
29-Jun-2010	4	Updated Table 8 on page 13 .

Obsolete Product(s) - Obsolete Product(s)

Please Read Carefully:

Information in this document is provided solely in connection with ST products. STMicroelectronics NV and its subsidiaries ("ST") reserve the right to make changes, corrections, modifications or improvements, to this document, and the products and services described herein at any time, without notice.

All ST products are sold pursuant to ST's terms and conditions of sale.

Purchasers are solely responsible for the choice, selection and use of the ST products and services described herein, and ST assumes no liability whatsoever relating to the choice, selection or use of the ST products and services described herein.

No license, express or implied, by estoppel or otherwise, to any intellectual property rights is granted under this document. If any part of this document refers to any third party products or services it shall not be deemed a license grant by ST for the use of such third party products or services, or any intellectual property contained therein or considered as a warranty covering the use in any manner whatsoever of such third party products or services or any intellectual property contained therein.

UNLESS OTHERWISE SET FORTH IN ST'S TERMS AND CONDITIONS OF SALE ST DISCLAIMS ANY EXPRESS OR IMPLIED WARRANTY WITH RESPECT TO THE USE AND/OR SALE OF ST PRODUCTS INCLUDING WITHOUT LIMITATION IMPLIED WARRANTIES OF MERCHANTABILITY, FITNESS FOR A PARTICULAR PURPOSE (AND THEIR EQUIVALENTS UNDER THE LAWS OF ANY JURISDICTION), OR INFRINGEMENT OF ANY PATENT, COPYRIGHT OR OTHER INTELLECTUAL PROPERTY RIGHT.

UNLESS EXPRESSLY APPROVED IN WRITING BY AN AUTHORIZED ST REPRESENTATIVE, ST PRODUCTS ARE NOT RECOMMENDED, AUTHORIZED OR WARRANTED FOR USE IN MILITARY, AIR CRAFT, SPACE, LIFE SAVING, OR LIFE SUSTAINING APPLICATIONS, NOR IN PRODUCTS OR SYSTEMS WHERE FAILURE OR MALFUNCTION MAY RESULT IN PERSONAL INJURY, DEATH, OR SEVERE PROPERTY OR ENVIRONMENTAL DAMAGE. ST PRODUCTS WHICH ARE NOT SPECIFIED AS "AUTOMOTIVE GRADE" MAY ONLY BE USED IN AUTOMOTIVE APPLICATIONS AT USER'S OWN RISK.

Resale of ST products with provisions different from the statements and/or technical features set forth in this document shall immediately void any warranty granted by ST for the ST product or service described herein and shall not create or extend in any manner whatsoever, any liability of ST.

ST and the ST logo are trademarks or registered trademarks of ST in various countries.

Information in this document supersedes and replaces all information previously supplied.

The ST logo is a registered trademark of STMicroelectronics. All other names are the property of their respective owners.

© 2010 STMicroelectronics - All rights reserved

STMicroelectronics group of companies

Australia - Belgium - Brazil - Canada - China - Czech Republic - Finland - France - Germany - Hong Kong - India - Israel - Italy - Japan - Malaysia - Malta - Morocco - Philippines - Singapore - Spain - Sweden - Switzerland - United Kingdom - United States of America

www.st.com