



Chipsmall Limited consists of a professional team with an average of over 10 year of expertise in the distribution of electronic components. Based in Hongkong, we have already established firm and mutual-benefit business relationships with customers from,Europe,America and south Asia,supplying obsolete and hard-to-find components to meet their specific needs.

With the principle of "Quality Parts,Customers Priority,Honest Operation,and Considerate Service",our business mainly focus on the distribution of electronic components. Line cards we deal with include Microchip,ALPS,ROHM,Xilinx,Pulse,ON,Everlight and Freescale. Main products comprise IC,Modules,Potentiometer,IC Socket,Relay,Connector.Our parts cover such applications as commercial,industrial, and automotives areas.

We are looking forward to setting up business relationship with you and hope to provide you with the best service and solution. Let us make a better world for our industry!



Contact us

Tel: +86-755-8981 8866 Fax: +86-755-8427 6832

Email & Skype: info@chipsmall.com Web: www.chipsmall.com

Address: A1208, Overseas Decoration Building, #122 Zhenhua RD., Futian, Shenzhen, China

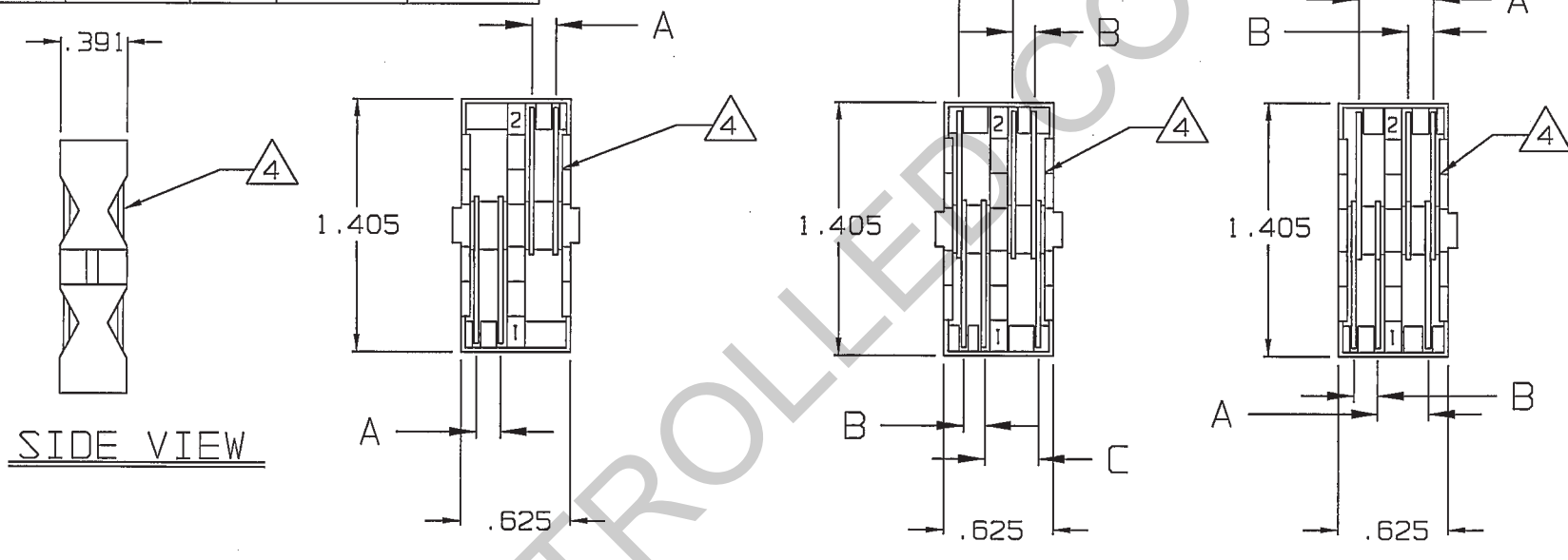


DASH NO	MODEL NO	COLOR	A DIM	B DIM	C DIM
-1	STC-W	GRAY	.156	—	—
-2	STC-F	LT GRN	—	.108/3	.330/3
-3	STC-FR	CLEAR	.439	.203	—
-4	STC-WM	BLUE	.125	—	—
-5	STC-DF	BLACK	—	.161	.236
-6	STC-DF2	DK GRN	.125	—	—

DATA CONTAINED IN THIS DOCUMENT IS PROPRIETARY TO TROMPETER ELECTRONICS INC. AND SHALL NOT BE DISCLOSED, COPIED OR USED FOR PROCUREMENT OR MANUFACTURE WITHOUT EXPRESS WRITTEN PERMISSION OF TROMPETER ELECTRONICS INC.

REVISIONS		010-0029	SH 1
REV	DESCRIPTION	DATE	APPROVED
H	REVISED PER ECD 15861	5-19-05	BS

RED INDICATES ORIGINAL



4 SHARP EDGE OF BLADES
FACE NUMBERED SIDE
OF UNITS: -1, -2, & -4

3 MAY BE USED FOR TEI STANDARD
3-STEP STRIP DIMENSION REQUIREMENT


2. STRIPPING TOOL CASSETTE BOTH "W"
(WRENCH CRIMP), "F" (FULL CRIMP) "FR"
(FULL CRIMP RIGHT ANGLE UPLRN220), AND
"WM" (WRENCH CRIMP MINIATURE, PL50)
VERSIONS FOR USE WITH ST1 TOOL

1. ALL DIM ARE IN INCHES

-1/-4/-6
2-BLADE

-2/-5
3-BLADE

-3
3 - BLADE

INTERPRET DRAWING PER MIL-STD-100 DIMENSIONS ARE IN INCHES AND INCLUDE FINISH THICKNESS UNLESS OTHERWISE SPECIFIED		TOL: UNLESS SPECIFIED .XX .XXX ±.003 .XXXX ±.0010 ANGLES±0°30'		
DRAWN AAH	DATE 5-11-05	MATERIAL:	TITLE: STC	
CHECKED S. Khan	DATE 5-11-05	FINISH:	SIZE A 14949	DRAWING NO. 010-0029
QUALITY MS	DATE 5/12/05		SCALE 1/1	REV. H
MANUF JK	DATE 5/12/05		DATE: 6-18-79	SHEET 1C
APPROVED BS	DATE 5/16/05	DO NOT SCALE DWG		
NEXT ASSY	CAD FILE NO. 010-0029H			