



Chipsmall Limited consists of a professional team with an average of over 10 year of expertise in the distribution of electronic components. Based in Hongkong, we have already established firm and mutual-benefit business relationships with customers from,Europe,America and south Asia,supplying obsolete and hard-to-find components to meet their specific needs.

With the principle of “Quality Parts,Customers Priority,Honest Operation,and Considerate Service”,our business mainly focus on the distribution of electronic components. Line cards we deal with include Microchip,ALPS,ROHM,Xilinx,Pulse,ON,Everlight and Freescale. Main products comprise IC,Modules,Potentiometer,IC Socket,Relay,Connector.Our parts cover such applications as commercial,industrial, and automotives areas.

We are looking forward to setting up business relationship with you and hope to provide you with the best service and solution. Let us make a better world for our industry!



## Contact us

Tel: +86-755-8981 8866 Fax: +86-755-8427 6832

Email & Skype: info@chipsmall.com Web: www.chipsmall.com

Address: A1208, Overseas Decoration Building, #122 Zhenhua RD., Futian, Shenzhen, China



## P-channel 40 V, 0.0125 $\Omega$ typ., StripFET™ F6 Power MOSFET in a DPAK package

Datasheet - production data

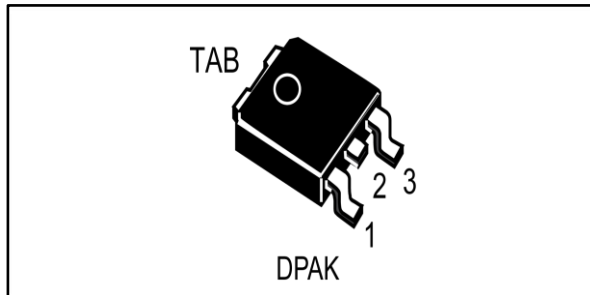
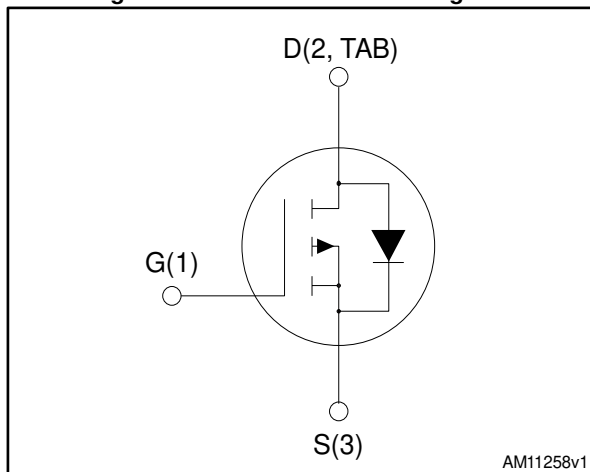


Figure 1: Internal schematic diagram



- Very low on-resistance
- Very low gate charge
- High avalanche ruggedness
- Low gate drive power loss

### Applications


- Switching applications

### Description

This device is a P-channel Power MOSFET developed using the StripFET™ F6 technology, with a new trench gate structure. The resulting Power MOSFET exhibits the lowest  $R_{DS(on)}$  in all packages.

Table 1: Device summary

Order codes	Marking	Package	Packaging
STD46P4LLF6	46P4LLF6	DPAK	Tape and reel

 For the P-channel Power MOSFETs the actual polarity of the voltages and the current must be reversed.

### Features

Order codes	$V_{DSS}$	$R_{DS(on)}$ max.	$I_D$
STD46P4LLF6	40 V	0.015 $\Omega$	46 A

---

**Contents**

<b>1</b>	<b>Electrical ratings .....</b>	<b>3</b>
<b>2</b>	<b>Electrical characteristics .....</b>	<b>4</b>
<b>3</b>	<b>Electrical characteristics (curves).....</b>	<b>6</b>
<b>4</b>	<b>Test circuits .....</b>	<b>8</b>
<b>5</b>	<b>Package mechanical data .....</b>	<b>9</b>
	5.1    DPAK (TO-252) rev. Q type A mechanical data.....	10
<b>6</b>	<b>Packaging mechanical data.....</b>	<b>13</b>
<b>7</b>	<b>Revision history .....</b>	<b>15</b>

# 1 Electrical ratings

**Table 2: Absolute maximum ratings**

Symbol	Parameter	Value	Unit
$V_{DS}$	Drain-source voltage	40	V
$V_{GS}$	Gate-source voltage	$\pm 20$	V
$I_D$	Drain current (continuous) at $T_C = 25\text{ }^\circ\text{C}$	46	A
$I_D$	Drain current (continuous) at $T_C = 100\text{ }^\circ\text{C}$	32.5	A
$I_{DM}^{(1)}$	Drain current (pulsed)	184	A
$P_{TOT}^{(1)}$	Total dissipation at $T_C = 25\text{ }^\circ\text{C}$	70	W
$T_{stg}$	Storage temperature	-55 to 175	$^\circ\text{C}$
$T_j$	Max. operating junction temperature	175	$^\circ\text{C}$

**Notes:**

<sup>(1)</sup> Pulse width limited by safe operating area

**Table 3: Thermal data**

Symbol	Parameter	Value	Unit
$R_{thj-case}$	Thermal resistance junction-case max.	2.14	$^\circ\text{C/W}$



For the P-channel Power MOSFETs the actual polarity of the voltages and the current must be reversed.

## 2 Electrical characteristics

(T<sub>CASE</sub> = 25 °C unless otherwise specified)

**Table 4: Static**

Symbol	Parameter	Test conditions	Min.	Typ.	Max.	Unit
V <sub>(BR)DSS</sub>	Drain-source breakdown Voltage	I <sub>D</sub> = 250 μA, V <sub>GS</sub> = 0	40			V
I <sub>DSS</sub>	Zero gate voltage drain current	V <sub>DS</sub> = 40 V, (V <sub>GS</sub> = 0)			1	μA
		V <sub>DS</sub> = 40 V, T <sub>C</sub> = 125 °C			10	μA
I <sub>GSS</sub>	Gate body leakage current	V <sub>GS</sub> = ± 20 V, (V <sub>DS</sub> = 0)			±100	nA
V <sub>GS(th)</sub>	Gate threshold voltage	V <sub>DS</sub> = V <sub>GS</sub> , I <sub>D</sub> = 250 μA	1		2.5	V
R <sub>DS(on)</sub>	Static drain-source on-resistance	V <sub>GS</sub> = 10 V, I <sub>D</sub> = 23 A		0.0125	0.015	Ω
		V <sub>GS</sub> = 4.5 V, I <sub>D</sub> = 23 A		0.017	0.02	Ω

**Table 5: Dynamic**

Symbol	Parameter	Test conditions	Min.	Typ.	Max.	Unit
C <sub>iss</sub>	Input capacitance	V <sub>DS</sub> = 25 V, f=1 MHz, V <sub>GS</sub> = 0	-	3525	-	pF
C <sub>oss</sub>	Output capacitance		-	344	-	pF
C <sub>rss</sub>	Reverse transfer capacitance		-	238.5	-	pF
Q <sub>g</sub>	Total gate charge	V <sub>DD</sub> = 20 V, I <sub>D</sub> = 46 A V <sub>GS</sub> = 4.5 V	-	34	-	nC
Q <sub>gs</sub>	Gate-source charge		-	11.3	-	nC
Q <sub>gd</sub>	Gate-drain charge		-	13.8	-	nC



For the P-channel Power MOSFETs the actual polarity of the voltages and the current must be reversed.

Table 6: Switching on/off (inductive load)

Symbol	Parameter	Test conditions	Min.	Typ.	Max.	Unit
$t_{d(on)}$	Turn-on delay time	$V_{DD} = 20\text{ V}$ , $I_D = 23\text{ A}$ , $R_G = 4.7\ \Omega$ , $V_{GS} = 10\text{ V}$	-	49.4	-	ns
$t_r$	Rise time		-	60.6	-	ns
$t_{d(off)}$	Turn-off delay time		-	170	-	ns
$t_f$	Fall time		-	20	-	ns

Table 7: Source-drain diode

Symbol	Parameter	Test conditions	Min.	Typ.	Max.	Unit
$V_{SD}^{(1)}$	Forward on voltage	$I_{SD} = 23\text{ A}$ , $V_{GS} = 0$	-		1.1	V
$t_{rr}$	Reverse recovery time	$I_{SD} = 46\text{ A}$ , $di/dt = 100\text{ A}/\mu\text{s}$ , $V_{DD} = 24\text{ V}$	-	29		ns
$Q_{rr}$	Reverse recovery charge		-	27.6		nC
$I_{RRM}$	Reverse recovery current		-	1.9		A

**Notes:**

<sup>(1)</sup>Pulsed: pulse duration = 300  $\mu\text{s}$ , duty cycle 1.5%



For the P-channel Power MOSFETs the actual polarity of the voltages and the current must be reversed.

### 3 Electrical characteristics (curves)

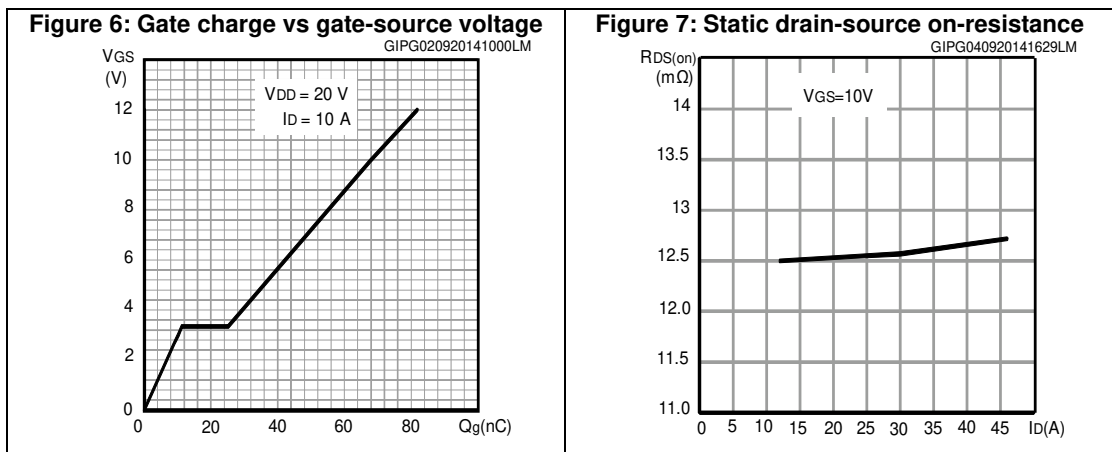
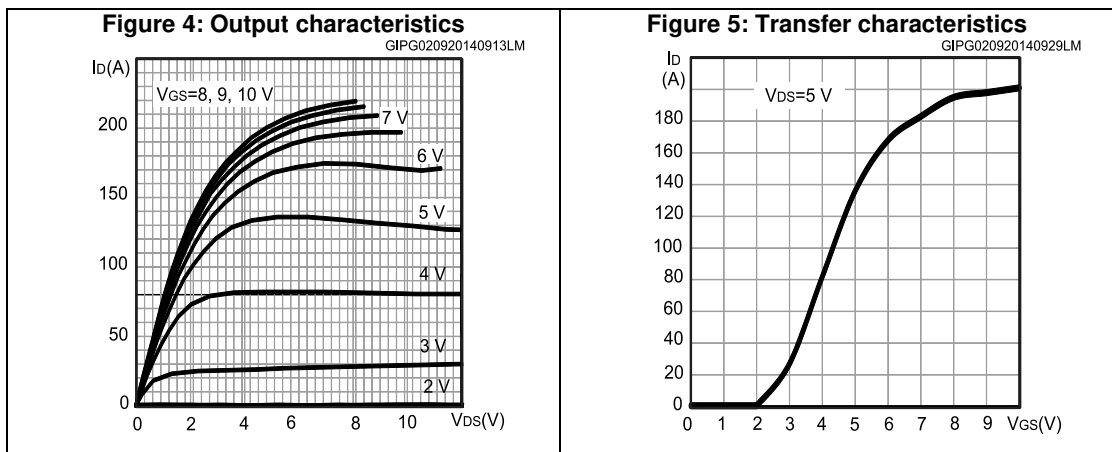
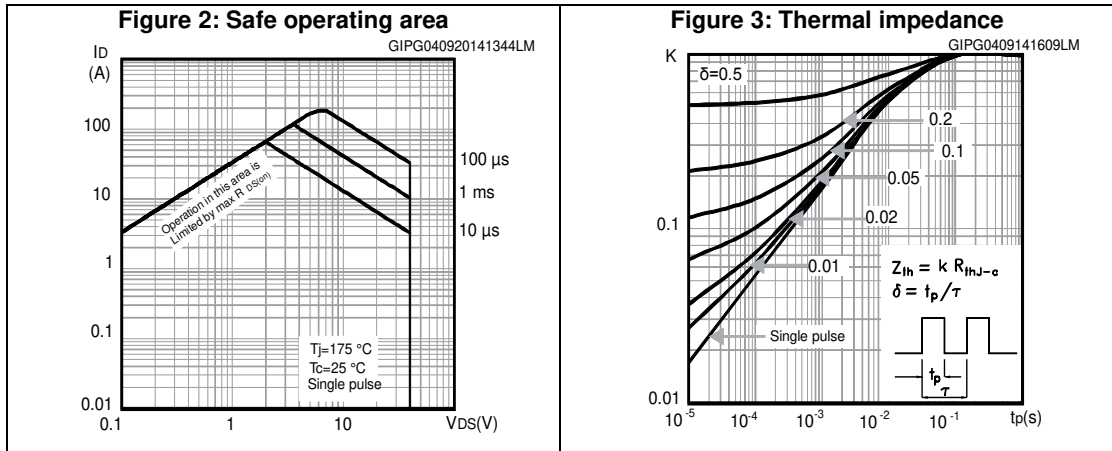


Figure 8: Capacitance variation

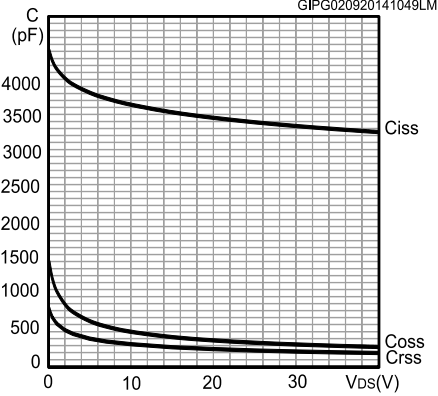


Figure 9: Normalized gate threshold voltage vs temperature

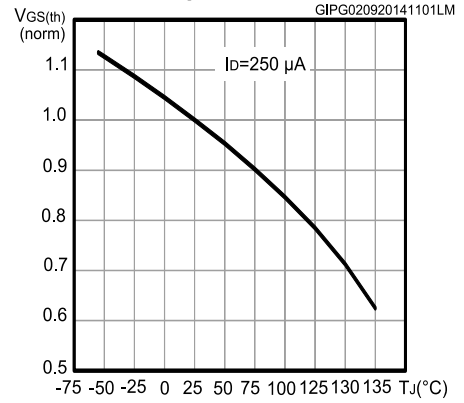


Figure 10: Normalized on-resistance vs temperature

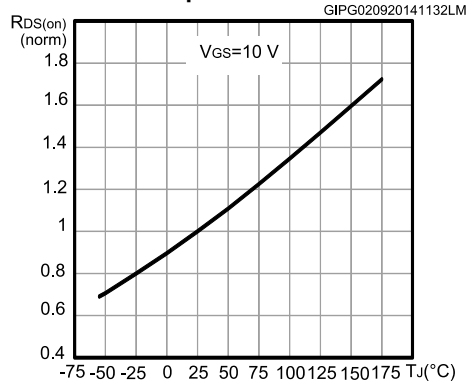


Figure 11: Normalized VBR(DSS) vs temperature

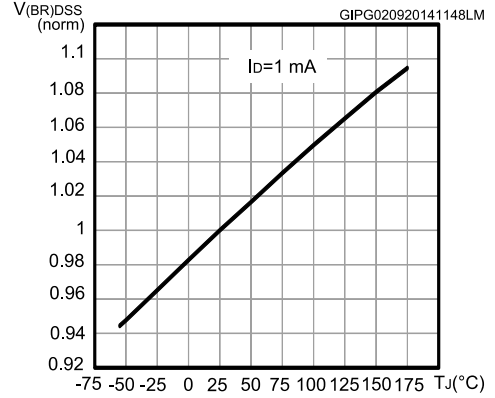
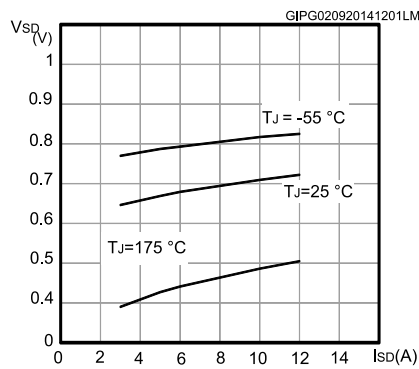
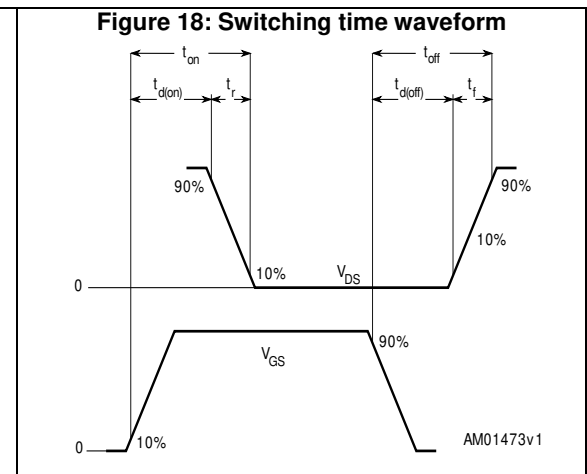
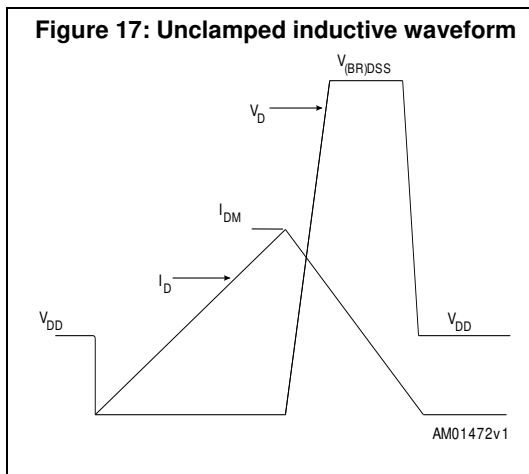
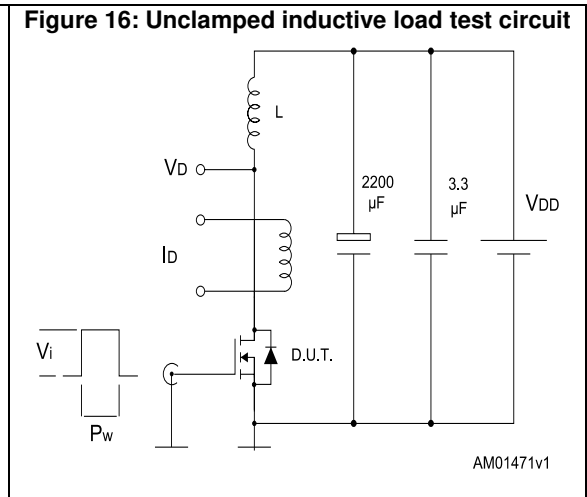
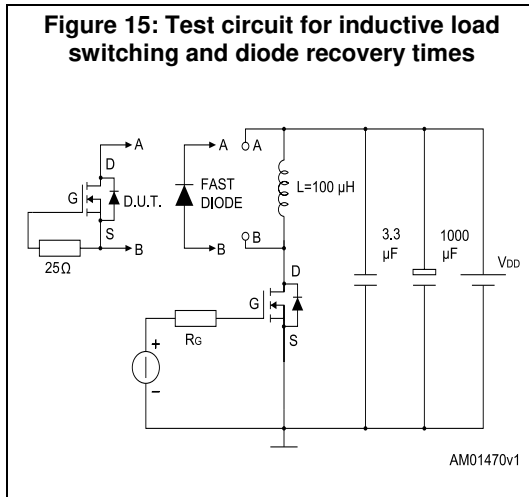
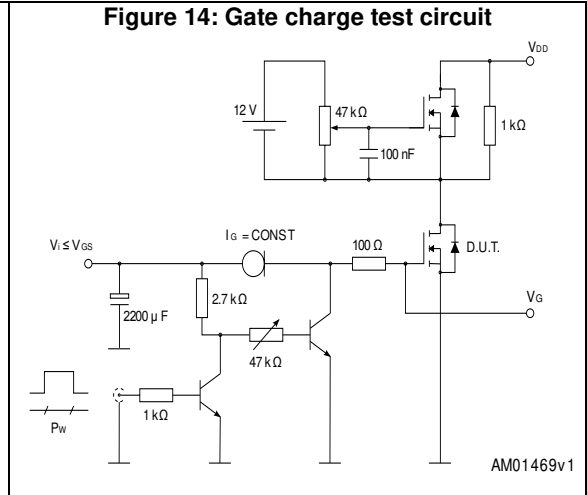
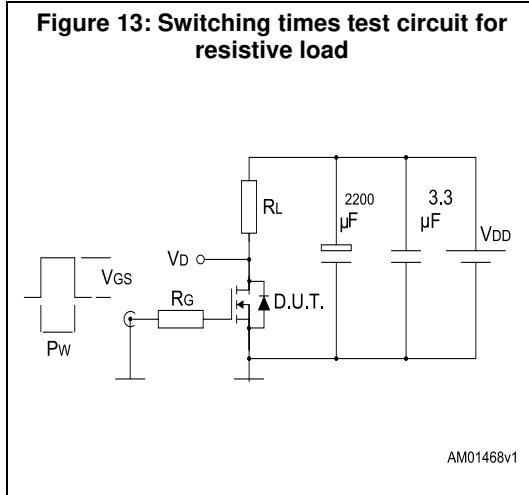


Figure 12: Source-drain diode forward characteristics



# 4 Test circuits



## 5 Package mechanical data

In order to meet environmental requirements, ST offers these devices in different grades of ECOPACK<sup>®</sup> packages, depending on their level of environmental compliance. ECOPACK<sup>®</sup> specifications, grade definitions and product status are available at: [www.st.com](http://www.st.com). ECOPACK<sup>®</sup> is an ST trademark.

### 5.1 DPAK (TO-252) rev. Q type A mechanical data

Figure 19: DPAK (TO-252) type A drawings

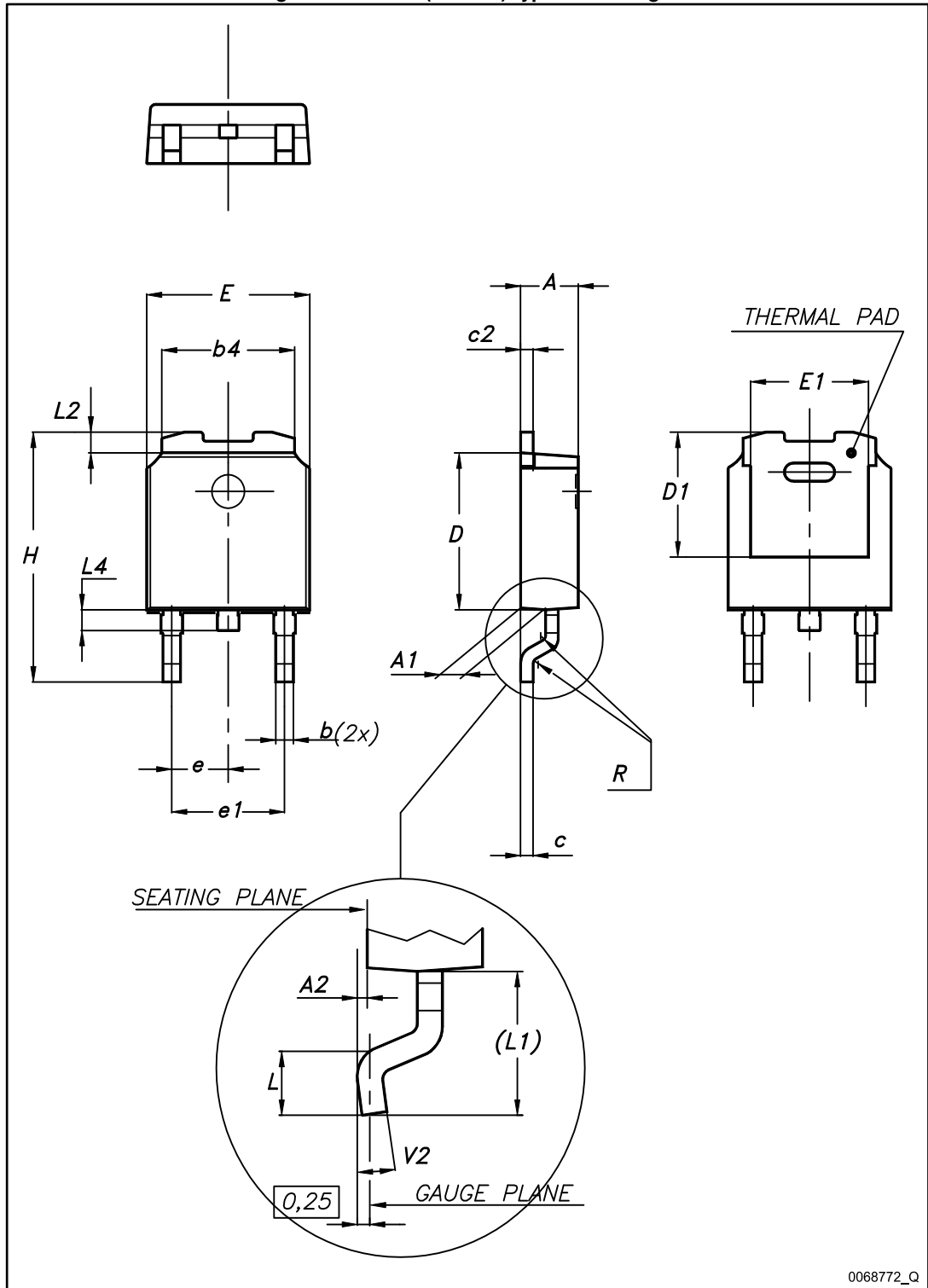
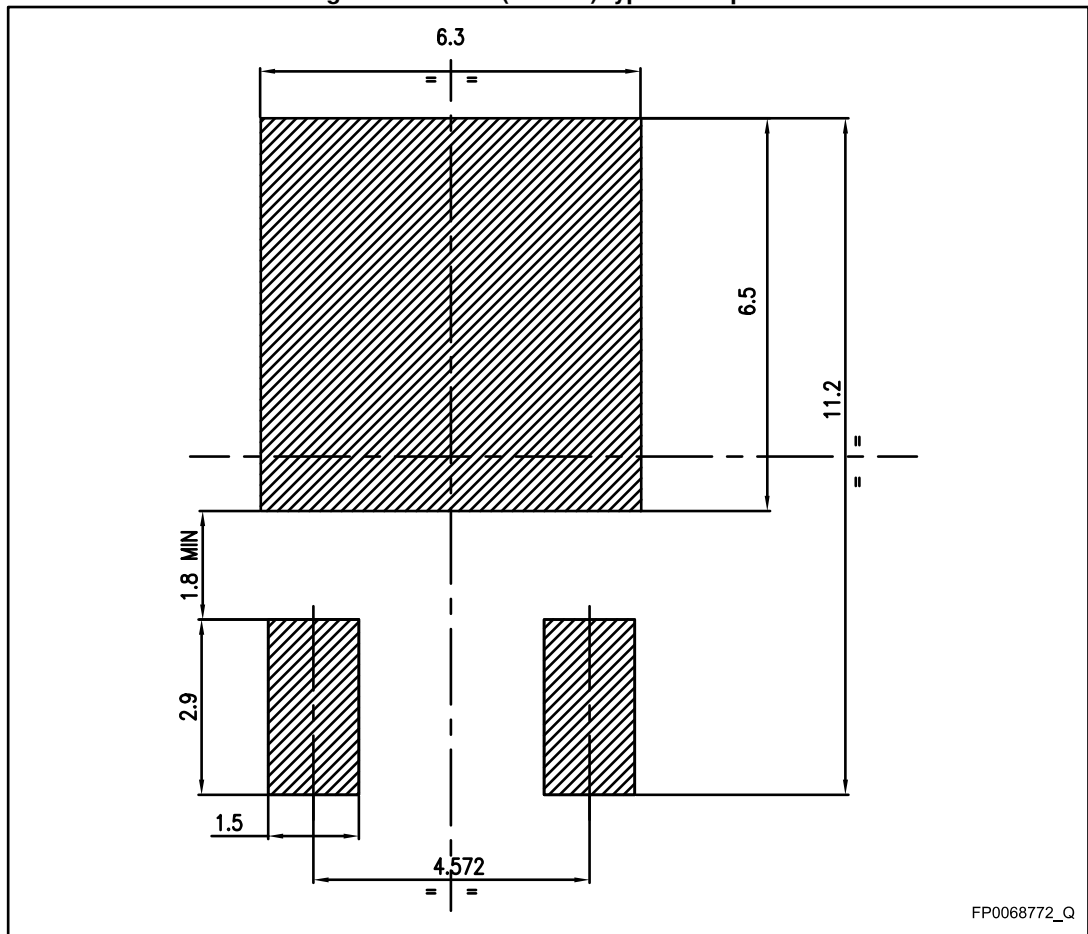


Table 8: DPAK (TO-252) type A mechanical data

Dim.	mm		
	Min.	Typ.	Max.
A	2.20		2.40
A1	0.90		1.10
A2	0.03		0.23
b	0.64		0.90
b4	5.20		5.40
c	0.45		0.60
c2	0.48		0.60
D	6.00		6.20
D1		5.10	
E	6.40		6.60
E1		4.70	
e		2.28	
e1	4.40		4.60
H	9.35		10.10
L	1.00		1.50
(L1)		2.80	
L2		0.80	
L4	0.60		1.00
R		0.20	
V2	0°		8°

Figure 20: DPAK (TO-252) type A footprint



All dimensions are in mm

# 6 Packaging mechanical data

Figure 21: Tape for DPAK (TO-252)

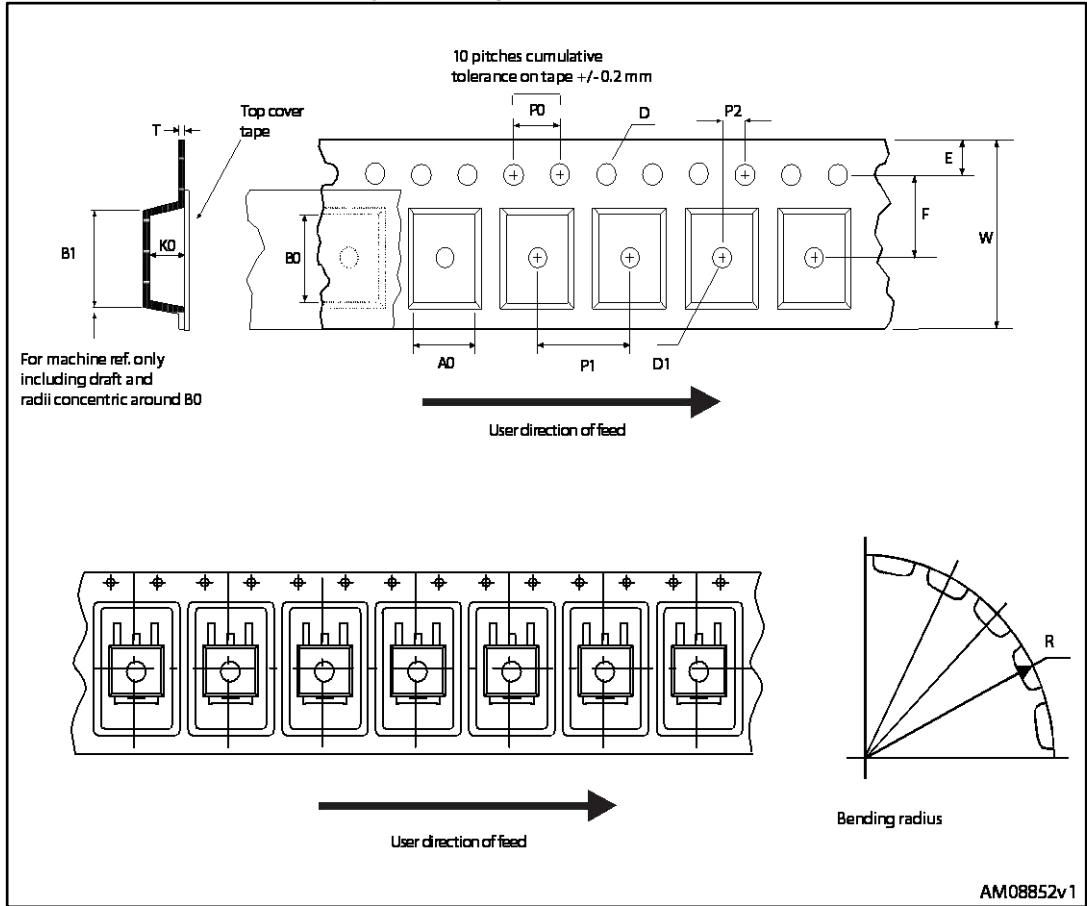


Figure 22: Reel for DPAK (TO-252)

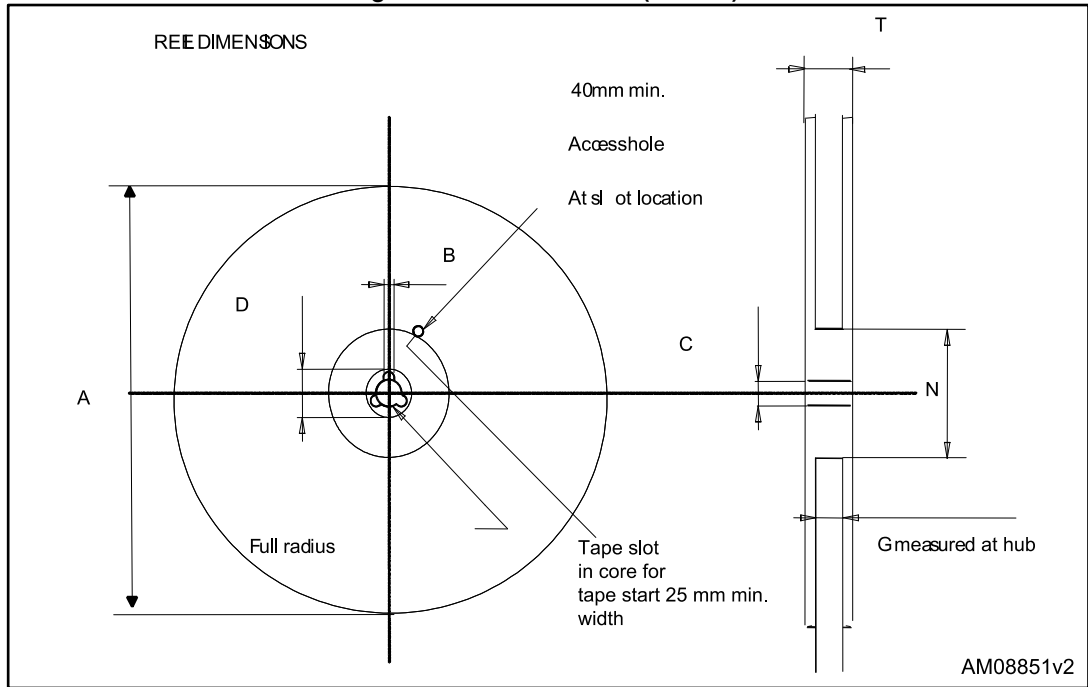


Table 9: DPAK (TO-252) tape and reel mechanical data

Tape			Reel		
Dim.	mm		Dim.	mm	
	Min.	Max.		Min.	Max.
A0	6.8	7	A		330
B0	10.4	10.6	B	1.5	
B1		12.1	C	12.8	13.2
D	1.5	1.6	D	20.2	
D1	1.5		G	16.4	18.4
E	1.65	1.85	N	50	
F	7.4	7.6	T		22.4
K0	2.55	2.75			
P0	3.9	4.1		Base qty.	2500
P1	7.9	8.1		Bulk qty.	2500
P2	1.9	2.1			
R	40				
T	0.25	0.35			
W	15.7	16.3			

## 7 Revision history

**Table 10: Document revision history**

Date	Revision	Changes
17-Jan-2014	1	First release
05-Sep-2014	2	Changed the title. Updated <i>Section "Features"</i> and <i>Section "Description"</i> . Updated <i>Table 2: "Absolute maximum ratings"</i> , <i>Table 3: "Thermal data"</i> , <i>Table 6: "Switching on/off (inductive load)"</i> , <i>Table 7: "Source-drain diode"</i> .
16-Dec-2014	3	Document status promoted from preliminary data to production data. Minor text changes.

**IMPORTANT NOTICE – PLEASE READ CAREFULLY**

STMicroelectronics NV and its subsidiaries ("ST") reserve the right to make changes, corrections, enhancements, modifications, and improvements to ST products and/or to this document at any time without notice. Purchasers should obtain the latest relevant information on ST products before placing orders. ST products are sold pursuant to ST's terms and conditions of sale in place at the time of order acknowledgement.

Purchasers are solely responsible for the choice, selection, and use of ST products and ST assumes no liability for application assistance or the design of Purchasers' products.

No license, express or implied, to any intellectual property right is granted by ST herein.

Resale of ST products with provisions different from the information set forth herein shall void any warranty granted by ST for such product.

ST and the ST logo are trademarks of ST. All other product or service names are the property of their respective owners.

Information in this document supersedes and replaces information previously supplied in any prior versions of this document.

© 2014 STMicroelectronics – All rights reserved