



Chipsmall Limited consists of a professional team with an average of over 10 year of expertise in the distribution of electronic components. Based in Hongkong, we have already established firm and mutual-benefit business relationships with customers from,Europe,America and south Asia,supplying obsolete and hard-to-find components to meet their specific needs.

With the principle of “Quality Parts,Customers Priority,Honest Operation,and Considerate Service”,our business mainly focus on the distribution of electronic components. Line cards we deal with include Microchip,ALPS,ROHM,Xilinx,Pulse,ON,Everlight and Freescale. Main products comprise IC,Modules,Potentiometer,IC Socket,Relay,Connector.Our parts cover such applications as commercial,industrial, and automotives areas.

We are looking forward to setting up business relationship with you and hope to provide you with the best service and solution. Let us make a better world for our industry!



Contact us

Tel: +86-755-8981 8866 Fax: +86-755-8427 6832

Email & Skype: info@chipsmall.com Web: www.chipsmall.com

Address: A1208, Overseas Decoration Building, #122 Zhenhua RD., Futian, Shenzhen, China





Wireless receivers with relay outputs

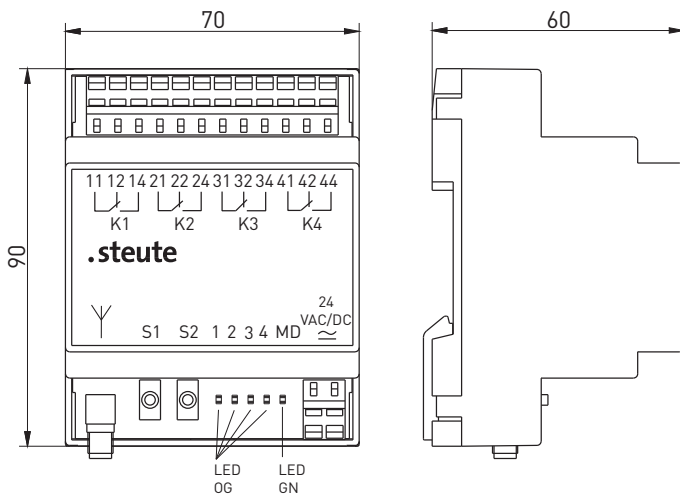
RF Rx SW915-4W 24 VAC/DC

Material number: 1189618 (Material number old: 90590022)

Features/Options:

- sWave® wireless technology
- 4 potential-free relay outputs
- 4 change-over contacts
- Transmitter/receiver assignment by teaching mode
- LEDs for indication of switching state
- SMA reverse plug-in connector for external antenna

Dimensions



Technical data

Standards	EN 60947-5-1; EN 61000-6-2, -6-3, EN 61000-4-2, -4-20, -4-4, -4-5, -4-6; EN 60068-2-6, EN 60068-2-27; EN 301 489-1; EN 301 489-3; EN 300 220-1; EN 300 220-2
Number of channels	4
Mounting	DIN rail mounting
Connection	terminals with CAGE CLAMP WAGO Series 236: 0.08 ... 2.5 mm ² / AWG 28-12, AWG 12: THHN, THWN, stripping length 5 ... 6 mm / 0.22 in
Degree of protection	IP 20 to IEC/EN 60529
Inputs	4 wireless channels, max. 10 transmitters per channel
Outputs	4 change-over contacts (relays)
Rated operating current I_e	24 VDC: max. 0.1 A; 24 VAC: max. 0.25 A
Rated operating voltage U_e	24 VAC/DC -15 % ... +10 %
I_e/U_e of output contacts	6 A/250 VAC; 2 A/24 VDC
Utilisation category	AC-15; DC-13
U_i	250 VAC
U_{imp}	2.5 kV
Frequency	915 MHz (USA, Canada and Mexico)
Display	green LED: operating state, orange LED: switching conditions
Operation cycles	approx. 12000 telegrams at repetitions/h
Degree of pollution	2 to IEC/EN 60664-1
Ambient temperature	0 °C ... +55 °C
Storage and shipping temperature	-25 °C ... +85 °C

Errors and omissions excepted.




Wireless receivers with relay outputs

RF Rx SW915-4W 24 VAC/DC

Material number: 1189618 (Material number old: 90590022)

Technical data

External antenna	always required for optimum wireless range
Note	Inductive loads (contactors, relays etc.) are to be suppressed by suitable circuitry.
Approvals	USA: FCC: XK5-RFRXSW915; Canada: IC: 5158A-RFRXSW915 Mexico: IFT/223/UCS/DG-AUSE/6773/2017
	
Weight	155 g

Arrangement of receiver and switch antenna



Optimum mounting



Possible mounting



Unsuitable mounting

Note

Magnetic base antennae must be mounted on a metal plate of min. 250 x 250 mm size.