



Chipsmall Limited consists of a professional team with an average of over 10 year of expertise in the distribution of electronic components. Based in Hongkong, we have already established firm and mutual-benefit business relationships with customers from,Europe,America and south Asia,supplying obsolete and hard-to-find components to meet their specific needs.

With the principle of “Quality Parts,Customers Priority,Honest Operation,and Considerate Service”,our business mainly focus on the distribution of electronic components. Line cards we deal with include Microchip,ALPS,ROHM,Xilinx,Pulse,ON,Everlight and Freescale. Main products comprise IC,Modules,Potentiometer,IC Socket,Relay,Connector.Our parts cover such applications as commercial,industrial, and automotives areas.

We are looking forward to setting up business relationship with you and hope to provide you with the best service and solution. Let us make a better world for our industry!



Contact us

Tel: +86-755-8981 8866 Fax: +86-755-8427 6832

Email & Skype: info@chipsmall.com Web: www.chipsmall.com

Address: A1208, Overseas Decoration Building, #122 Zhenhua RD., Futian, Shenzhen, China





Wireless command device

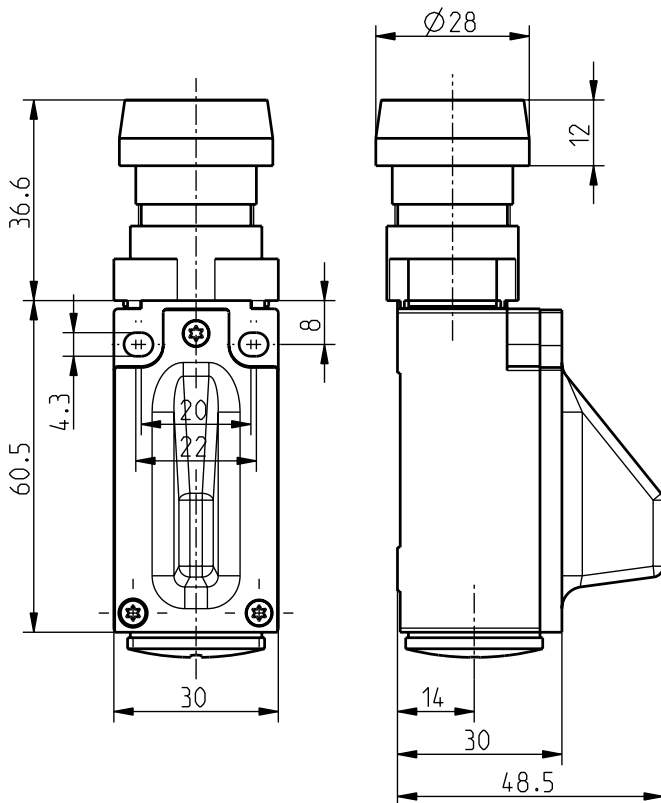
RF 95 RTM LR SW915

Material number: 1215493 (Material number old: 95955012)

Features/Options:

- Thermoplastic enclosure
- Mounting details to EN 50047
- sWave® wireless technology
- No power supply, no wiring and pipe laying required
- Easy programming of receiver
- Output signal can be individually configured at the receiver
- Actuator: Push-button with diaphragm RTM
- Actuator made of plastic

Dimensions



Technical data

| | |
|----------------------|---|
| Standards | EN 60947-5-1; EN 61000-6-2, -6-3, EN 61000-4-2, -4-20; EN 301 489-1; EN 301 489-3; EN 300 220-1; EN 300 220-2 |
| Enclosure | glass-fibre reinforced, shock-proof thermoplastic (PA 66), self-extinguishing UL 94-V0 |
| Cover | glass-fibre reinforced, shock-proof thermoplastic (PA 66), self-extinguishing UL 94-V0 |
| Tightening torque | mounting screw enclosure: max. 1.2 ... 1.3 Nm |
| Degree of protection | IP 67 to IEC/EN 60529 |
| Protocol | sWave® |
| Ambient temperature | -20 °C ... +65 °C |
| Operation cycles | approx. 12000 telegrams at repetitions/h |
| Voltage supply | Electrodynamic energy generator |
| Frequency | 915 MHz (USA, Canada and Mexico) |
| Transmission power | < 10 mW |
| Data rate | 66 kbps |
| Channel bandwidth | 550 kHz |
| Wireless range | max. 450 m outside, max. 40 m inside |
| Mechanical life | > 1 million operations |
| Actuating time | min. 80 ms |
| Note | no status signal available |
| Approvals | USA: FCC: XK5-RF95SW915SR; Canada: IC: 5158A-RF95SW915SR; Mexico: IFT/223/UCS/DG-AUSE/6774/2017 |
| Weight | 82 g |



Wireless command device

RF 95 RTM LR SW915

Material number: 1215493 (Material number old: 95955012)