



Chipsmall Limited consists of a professional team with an average of over 10 year of expertise in the distribution of electronic components. Based in Hongkong, we have already established firm and mutual-benefit business relationships with customers from,Europe,America and south Asia,supplying obsolete and hard-to-find components to meet their specific needs.

With the principle of “Quality Parts,Customers Priority,Honest Operation,and Considerate Service”,our business mainly focus on the distribution of electronic components. Line cards we deal with include Microchip,ALPS,ROHM,Xilinx,Pulse,ON,Everlight and Freescale. Main products comprise IC,Modules,Potentiometer,IC Socket,Relay,Connector.Our parts cover such applications as commercial,industrial, and automotives areas.

We are looking forward to setting up business relationship with you and hope to provide you with the best service and solution. Let us make a better world for our industry!



## Contact us

Tel: +86-755-8981 8866 Fax: +86-755-8427 6832

Email & Skype: info@chipsmall.com Web: www.chipsmall.com

Address: A1208, Overseas Decoration Building, #122 Zhenhua RD., Futian, Shenzhen, China





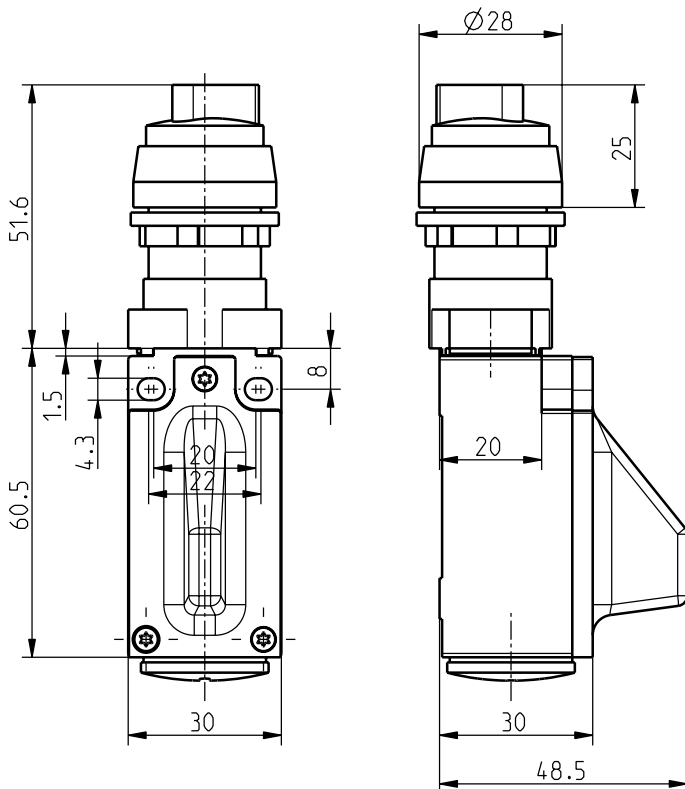
## Wireless command device RF 95 RWA 0-I LR SW915

Material number: 1262997 (Material number old: 95957007)

### Features/Options:

- Thermoplastic enclosure
- Mounting details to EN 50047
- sWave® wireless technology
- No power supply, no wiring and pipe laying required
- Easy programming of receiver
- Output signal can be individually configured at the receiver
- Actuator: Selector RW with rest positions
- Actuator made of plastic

### Dimensions



### Technical data

Standards	EN 60947-5-1; EN 61000-6-2, -6-3, EN 61000-4-2, -4-20; EN 301 489-1; EN 301 489-3; EN 300 220-1; EN 300 220-2
Enclosure	glass-fibre reinforced, shock-proof thermoplastic (PA 66), self-extinguishing UL 94-V0
Cover	glass-fibre reinforced, shock-proof thermoplastic (PA 66), self-extinguishing UL 94-V0
Tightening torque	mounting screw enclosure: max. 1.2 ... 1.3 Nm
Degree of protection	IP 65 to IEC/EN 60529
Protocol	sWave®
Ambient temperature	-20 °C ... +65 °C
Operation cycles	approx. 12000 telegrams at repetitions/h
Voltage supply	Electrodynamic energy generator
Frequency	915 MHz (USA, Canada and Mexico)
Transmission power	< 10 mW
Data rate	66 kbps
Channel bandwidth	550 kHz
Wireless range	max. 450 m outside, max. 40 m inside
Mechanical life	> 1 million operations
Actuating time	min. 80 ms
Note	no status signal available
Approvals	USA: FCC: XK5-RF95SW915SR; Canada: IC: 5158A-RF95SW915SR; Mexico: IFT/223/UCS/DG-AUSE/6774/2017



Wireless command device  
RF 95 RWA 0-I LR SW915

Material number: 1262997 (Material number old: 95957007)

## Switching position RWA



2 switching positions

Switching angle 90° , 0-I

Note:  
Versions with other switching positions available on request.

Errors and omissions excepted.