



Chipsmall Limited consists of a professional team with an average of over 10 year of expertise in the distribution of electronic components. Based in Hongkong, we have already established firm and mutual-benefit business relationships with customers from,Europe,America and south Asia,supplying obsolete and hard-to-find components to meet their specific needs.

With the principle of “Quality Parts,Customers Priority,Honest Operation,and Considerate Service”,our business mainly focus on the distribution of electronic components. Line cards we deal with include Microchip,ALPS,ROHM,Xilinx,Pulse,ON,Everlight and Freescale. Main products comprise IC,Modules,Potentiometer,IC Socket,Relay,Connector.Our parts cover such applications as commercial,industrial, and automotives areas.

We are looking forward to setting up business relationship with you and hope to provide you with the best service and solution. Let us make a better world for our industry!



Contact us

Tel: +86-755-8981 8866 Fax: +86-755-8427 6832

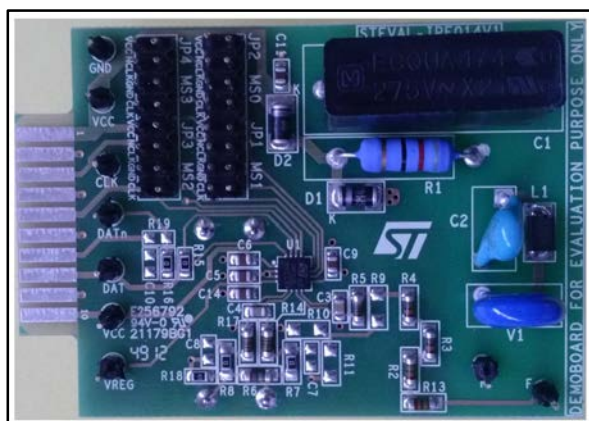
Email & Skype: info@chipsmall.com Web: www.chipsmall.com

Address: A1208, Overseas Decoration Building, #122 Zhenhua RD., Futian, Shenzhen, China



Multiphase energy meter daughterboard based on the STPMS2 smart sensor device

Data brief



Description

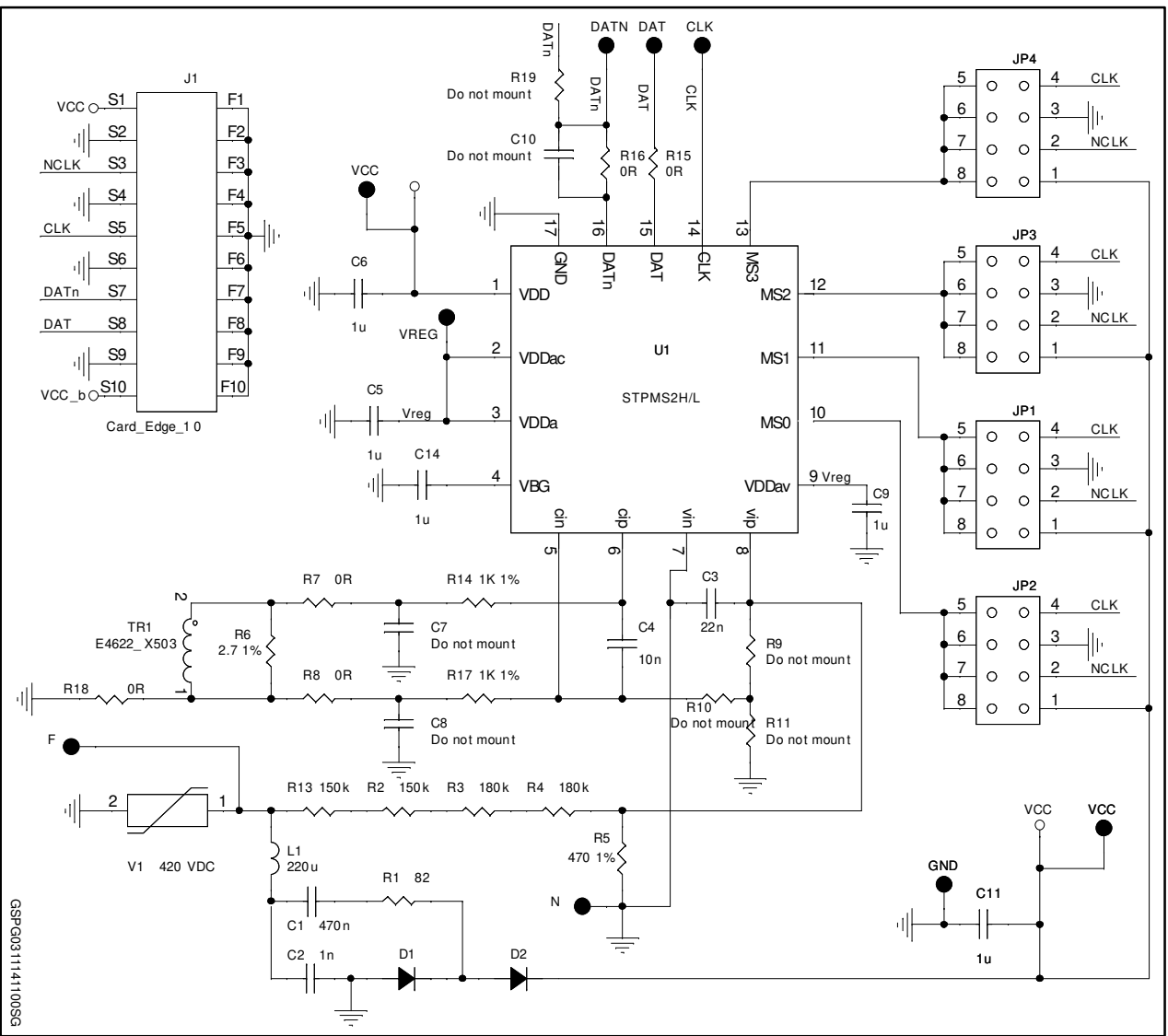
The STEVAL-IPE014V1 is a daughterboard based on the STPMS2 "smart sensor" device, and is designed for use with the STPMC1-based STEVAL-IPE010V2 motherboard. Together the system provides a complete, ready-to-use energy meter application. When connected to the motherboard, each STEVAL-IPE014V1 daughterboard serves a single phase, converting and multiplexing the voltage and current information and sending the stream to the STPMC1 energy calculator IC.

Features

- Modular and programmable
- Supports:
 - 3-phase, 4-wire RSTN, 4-system RSTN (tamper); extra module required
 - 3-phase, 4-wire RSTN, 3-system RST
 - 3-phase, 3-wire RST_, 3-system RST_(tamper)
 - 3-phase, 3-wire RST_, 2-system R_T_(Aron)
 - 2-phase, 3-wire _STN, 2-system _ST_(America)
 - 1-phase, 2-wire _TN, 2-system _ST_(tamper)
 - 1-phase, 2-wire _TN, 1-system _T_
- 4 LED indicators to display:
 - Power
 - No load condition
 - Tamper detection
 - Reverse current direction
- Embedded capacitive power supply
- Isolation of current channel
- RoHS compliant

1 Schematic diagram

Figure 1 : STEVAL-IPe014V1 circuit schematic



2 Revision history

Table 1: Document revision history

Date	Rev	Changes
24-Aug-2011	1	First release.
03-Nov-2014	2	Description has been updated.

IMPORTANT NOTICE – PLEASE READ CAREFULLY

STMicroelectronics NV and its subsidiaries ("ST") reserve the right to make changes, corrections, enhancements, modifications, and improvements to ST products and/or to this document at any time without notice. Purchasers should obtain the latest relevant information on ST products before placing orders. ST products are sold pursuant to ST's terms and conditions of sale in place at the time of order acknowledgement.

Purchasers are solely responsible for the choice, selection, and use of ST products and ST assumes no liability for application assistance or the design of Purchasers' products.

No license, express or implied, to any intellectual property right is granted by ST herein.

Resale of ST products with provisions different from the information set forth herein shall void any warranty granted by ST for such product.

ST and the ST logo are trademarks of ST. All other product or service names are the property of their respective owners.

Information in this document supersedes and replaces information previously supplied in any prior versions of this document.

© 2014 STMicroelectronics – All rights reserved