



Chipsmall Limited consists of a professional team with an average of over 10 year of expertise in the distribution of electronic components. Based in Hongkong, we have already established firm and mutual-benefit business relationships with customers from,Europe,America and south Asia,supplying obsolete and hard-to-find components to meet their specific needs.

With the principle of "Quality Parts,Customers Priority,Honest Operation,and Considerate Service",our business mainly focus on the distribution of electronic components. Line cards we deal with include Microchip,ALPS,ROHM,Xilinx,Pulse,ON,Everlight and Freescale. Main products comprise IC,Modules,Potentiometer,IC Socket,Relay,Connector.Our parts cover such applications as commercial,industrial, and automotives areas.

We are looking forward to setting up business relationship with you and hope to provide you with the best service and solution. Let us make a better world for our industry!



Contact us

Tel: +86-755-8981 8866 Fax: +86-755-8427 6832

Email & Skype: info@chipsmall.com Web: www.chipsmall.com

Address: A1208, Overseas Decoration Building, #122 Zhenhua RD., Futian, Shenzhen, China





LED Driver

REV.NO.	PAGE
00	1 /14

SPECIFICATION

MODEL : STIFP218750N024KOR

CUSTOMER :	
CHECKED	APPROVED
20 . . .	20 . . .

SAMSUNG			
DRAWN	CHECKED		APPROVED
	SALES	QA	
20 . . .	20 . . .	20 . . .	20 . . .

SAMSUNG ELECTRONICS CO., LTD.
SAMSUNG #2, NONGSEO-DONG, GIHEUNG-GU,
YONGIN-CITY, GYEONGGI-DO, KOREA, 446-711



LED Driver

REV.NO.	PAGE
00	3 /14

TABLE OF CONTENTS

1. APPLICATION	4 page
2. FUNDAMENTAL SPECIFICATION	4 page
3. APPEARANCE AND STRUCTURE	4 page
4. PERFORMANCE	5 page
5. STANDARD TESTING CONDITION	7 page
6. PRECAUTIONS IN HANDLING	8 page
7. TERMINAL INFORMATION	9 page
8. OUTPUT CURRENT SETTING	10 page
9. WIRE SELECTION AND PREPARATION	10 page
10. PACKING SPECIFICATION	11 page
APPENDIX 1. Appearance Drawing	13 page
APPENDIX 2. Label Drawing	14 page



LED Driver

1. APPLICATION

This specification defines the general specification and performance of the Non Dimming driver.

2. FUNDAMENTAL SPECIFICATION

No.	ARTICLE	SPECIFICATION
2-1	PSU (Power Supply Unit)	<ul style="list-style-type: none"> Dimensions : 212 × 41 × 30.5mm(length / Width / Height) (Tol: ±2.0mm) Input Power Maximum Consumption (50W) Input Voltage (220Vac ~ 240Vac) Output Current (50W : 840mA ± 5%) Output Voltage (24Vdc)
2-2	Weight	<ul style="list-style-type: none"> 220 ± 30g
2-3	Ambient Temperature (Ta)	<ul style="list-style-type: none"> -20[°C] ~ +50[°C], Surrounding Temp. of LED Driver within Fixture
2-4	Storage Temperature	<ul style="list-style-type: none"> -40[°C] ~ 85[°C]
2-5	Listings	<ul style="list-style-type: none"> CE / ENEC / VDE / KC
2-6	EMI	<ul style="list-style-type: none"> EN55015
2-7	Surge	<ul style="list-style-type: none"> IEC 61547
2-8	Hi-Pot	<ul style="list-style-type: none"> IEC 61347-1 , IEC 61347-2-13
2-9	Hazardous Substances in Products	<ul style="list-style-type: none"> RoHS compliant, REACH , WEEE
2-10	Lifetime	<ul style="list-style-type: none"> 50,000hr(MTBF)

3. APPEARANCE AND STRUCTURE

No.	ARTICLE	SPECIFICATION
3-1	Appearance	See the Appendix 1
3-2	Structure	See the Appendix 1



LED Driver

4. PERFORMANCE

- Electric Specification

No.	ARTICLE	SPECIFICATION					
		Symbol	Min.	Typ.	Max.	Unit	Remarks
4-1	Power Consumption	P	41	46	51	W	Vac=240V/50Hz @24.0V, measured with electronic load
4-2	Input Current	I	0.13	-	0.25	A	Each channel Vac=240V/50Hz @24.0V
4-3	Output Current	Io	798	840	882	mA	Each channel Vac=240V/50Hz @24.0V
4-4	Output Voltage	Vo	20	24	26	Vdc	Each channel
4-5	Efficiency	-	84	87	-	%	Vac=240V/50Hz @24.0V
4-6	Power Factor	PF	0.9	-	-	-	Vac=240V/50Hz @24.0V
4-7	THD	%	-	10	15	%	Vac=240V/50Hz @24.0V
4-8	Turn On Time				0.5	sec	Vac=240V/50Hz @24.0V, measured with electronic load
4-9	Ripple Current				30	%	Output current \pm 30%
4-10	Inrush current	Ipeak			20	A	
		Tduration			300	μ S	@50% of Ipeak
4-11	No load Power consumption	-	-	-	1	W	@no load
4-12	O.V.P	-	-	-	43	V	Auto Recovery
4-13	O.T.P	-	-	-	150	℃	Auto Recovery
4-14	Ambient Temperature	-	-20	-	50	℃	
4-15	Case Temperature	-			85	℃	Case of LED Driver
4-16	Lifetime(E-cap)		50,000			hour	MTBF

※ Keep the same Tc with fixture or without fixture

※ E-Load Condition : LED & CR Mode



LED Driver

- Final Test Items

No.	ARTICLE	SPECIFICATION					
		Symbol	Min.	Typ.	Max.	Unit	Remarks
4-1	Power Consumption	P	41	46	51	W	Vac=240V/60Hz @24V
4-2	Output Current	Io	798	840	882	mA	2 channel
4-3	Output Voltage	Vo	20	24	26	Vdc	2 channel
4-4	Efficiency	-	84	87	-	%	Vac=240V/60Hz @24V
4-5	Power Factor	PF	0.9	-	-	-	Vac=240V/60Hz @24V
4-6	THD	%	-	10	15	%	Vac=240V/60Hz @24V

※ All Test Results are recorded with 100% Products

※ E-Load Condition : LED & CR Mode



LED Driver

5. STANDARD TESTING CONDITION

5-1 Standard testing environment

Generally all tests are performed in normal room temperature and humidity. If the problem occurs, re-tests are performed at $25\pm 3^{\circ}\text{C}$ and $60\pm 5\%$ relative humidity.

5-2 Standard testing method

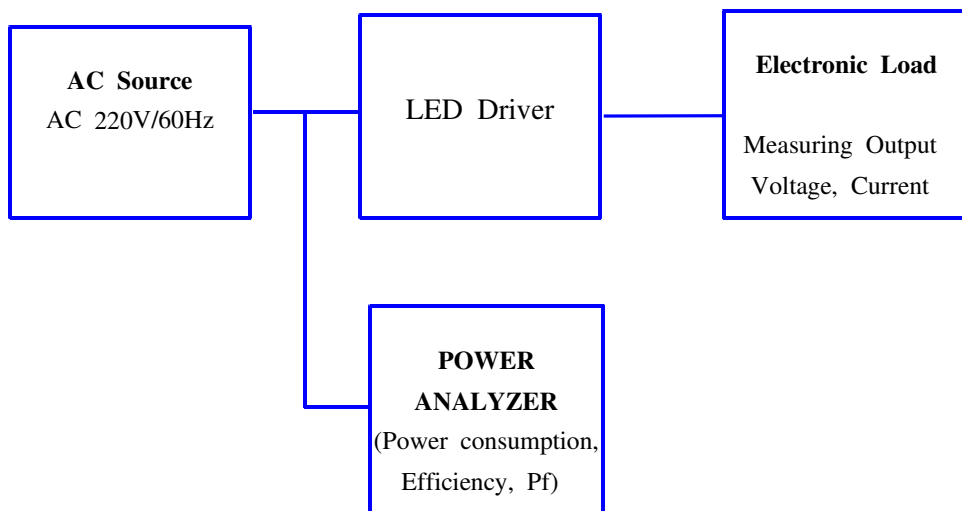
1) Testing equipment

Type	Company	Model (Reference)
AC Input Driver	Chroma	AC Source 61504
Power Consumption measuring equipment	YOKOGAWA	PRECISION POWER ANALYZER WT3000
Electrical Load	Chroma	DC Electronic Load 63110A

2) Testing equipment Condition

Measuring Equipment	Condition
AC Source	AC 220V / 60Hz
DC Electronic Load	DC Electronic load, @ 24.5V, LED & CR Mode

3) Measurement Method





LED Driver

6. PRECAUTIONS IN HANDLING

- 1) This LED Driver is only for 50W Non Dimming driver.
- 2) Handling

To prevent the LED Driver from any defect, please handle it with care as follows.

 - a. Don't drop the unit and don't give the unit any shocks.
 - b. Don't store the product in a dusty place or room.
 - c. Don't take the product apart.
 - d. Don't pull wire with hand in case of carry or move the product.
- 3) Static Electricity

Static electricity or surge voltage damages the LED Driver. Please keep the working process anti-static electricity condition to prevent the luminaire from damage.

 - a. Anyone who handles the unit should be well grounded. (earth ring or anti-static glove)
 - b. Anyone who handles the unit should wear anti-electrostatic working clothes.
 - c. All kinds of device and instruments, such as working table, measuring instruments and assembly jigs in production line should be well grounded.
- 4) Others
 - a. If over voltage which exceeds the absolute maximum rating is applied to LED Driver, it will cause damaging circuits and result in malfunction.
 - b. Do not use the mixed polarity of Ch1 and Ch2.

Module Interface			
Module1		Module2	
Ch1 +	Ch1 -	Ch2+	Ch2-

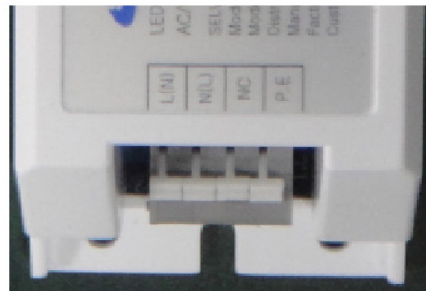


LED Driver

7. TERMINAL INFORMATION

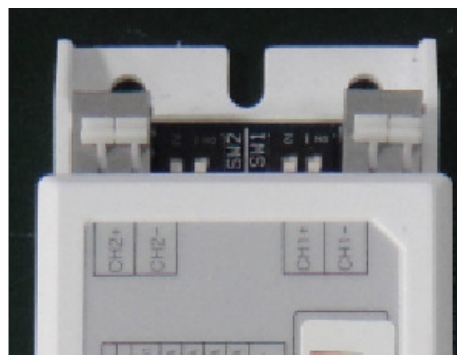
1) Input Interface

PIN	SYMBOL	COLOR	DESCRIPTION
1	Live	Gray	AC Input
2	Neutral	Gray	AC Input
3	NC	Gray	No Connect
4	P.E	Gray	Protective Earth



2) Output Interface

PIN	SYMBOL	COLOR	DESCRIPTION
2	CH2 +	Gray	Positive(Anode) LED output(CH2+)
1	CH2 -	Gray	Negative(Cathode) LED output(CH2-)
3	CH1 +	Gray	Positive(Anode) LED output(CH1+)
4	CH1 -	Gray	Negative(Cathode) LED output(CH1-)





LED Driver

REV.NO.

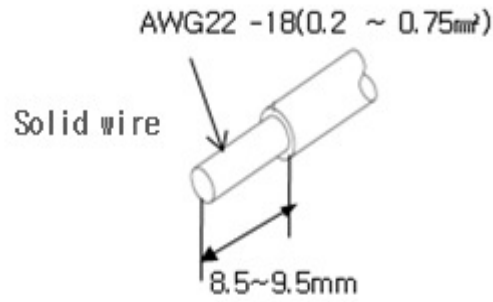
PAGE

00

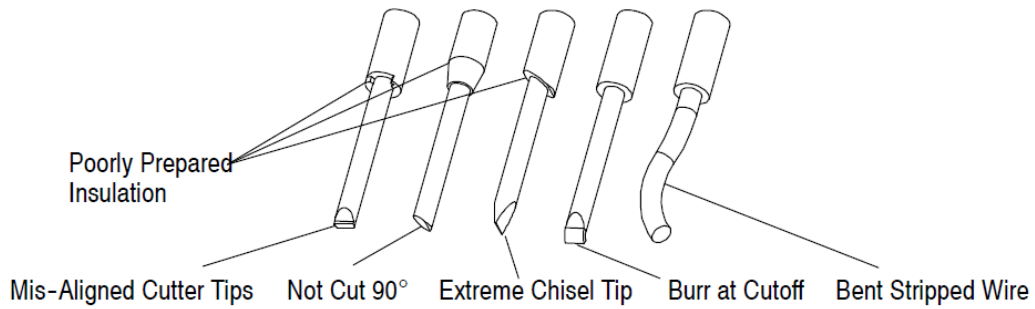
10 /14

8. WIRE SELECTION AND PREPARATION

1) Acceptable



2) Non-Acceptable



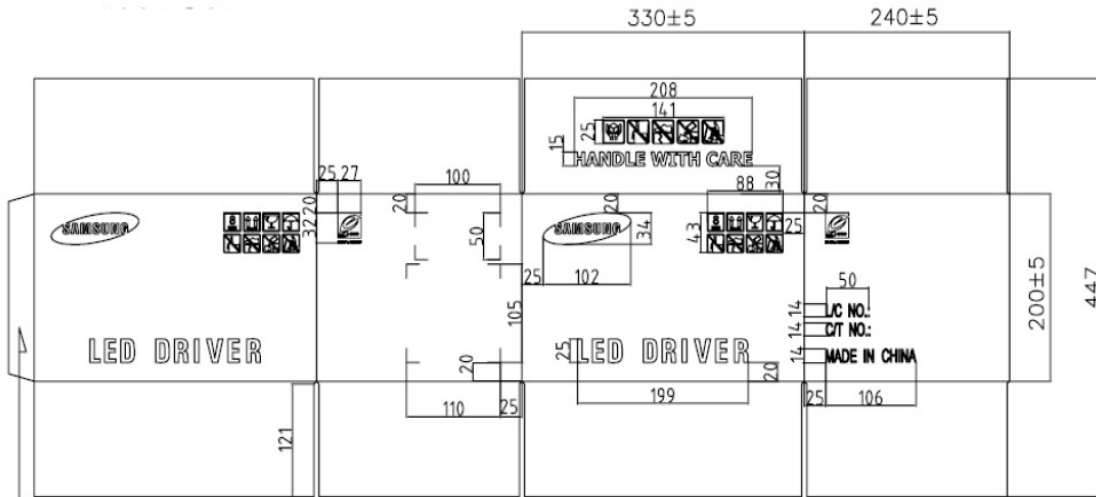


LED Driver

REV.NO.	PAGE
00	11 /14

9. PACKING SPECIFICATION

1) Out Box



2) Nil-Pad

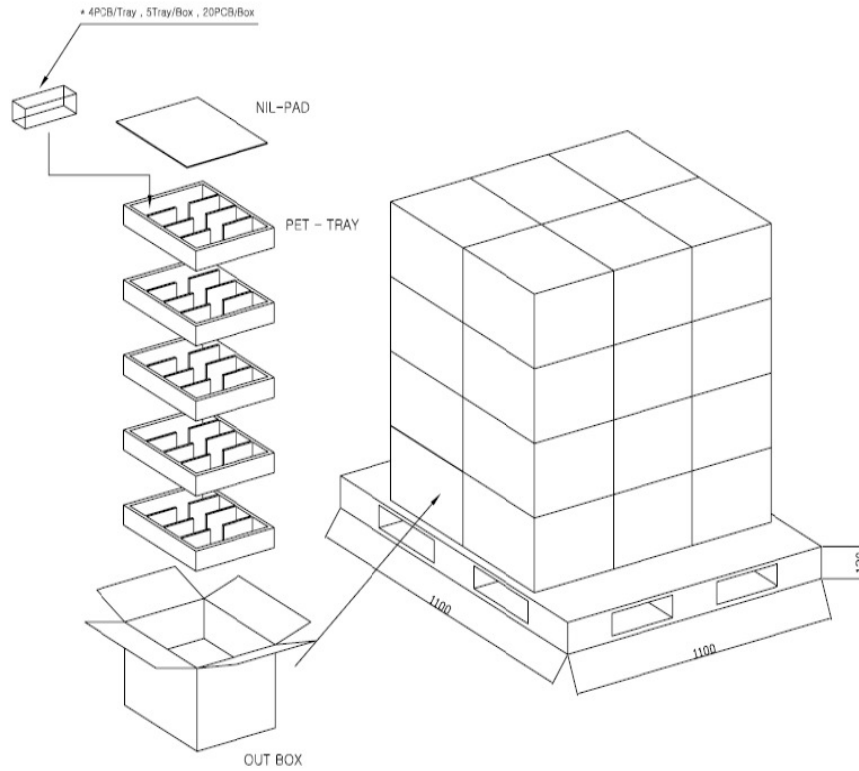




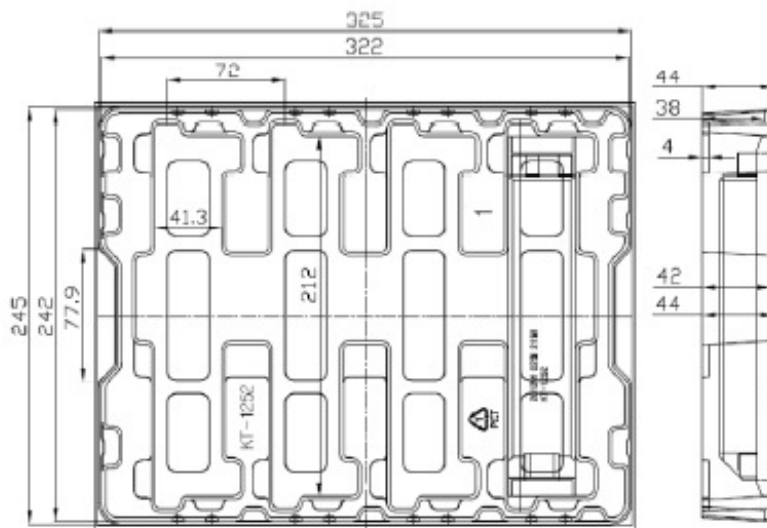
LED Driver

REV.NO.	PAGE
00	12 /14

3) Stock Pattern



4) Tray





LED Driver

REV.NO.

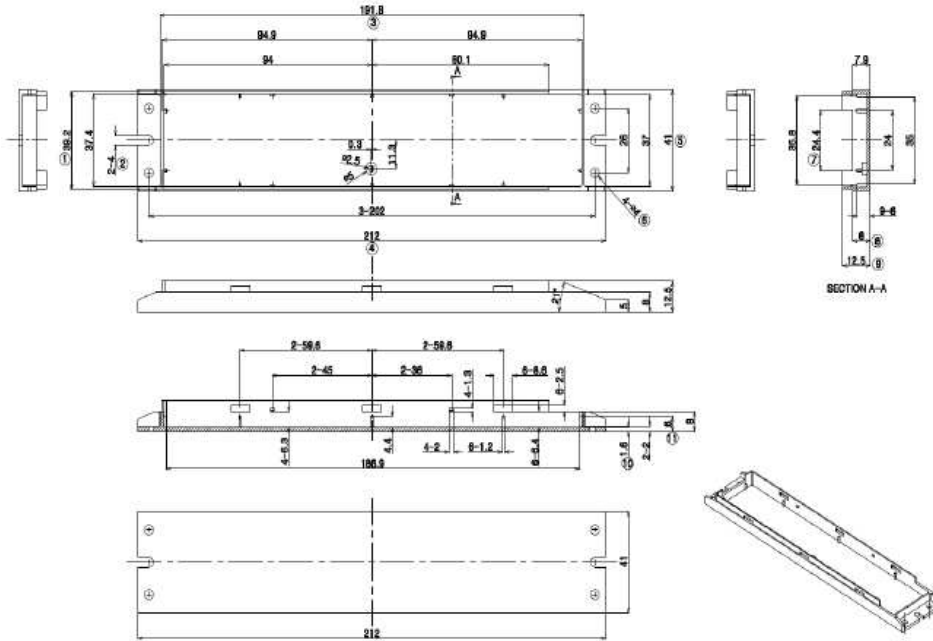
PAGE

00

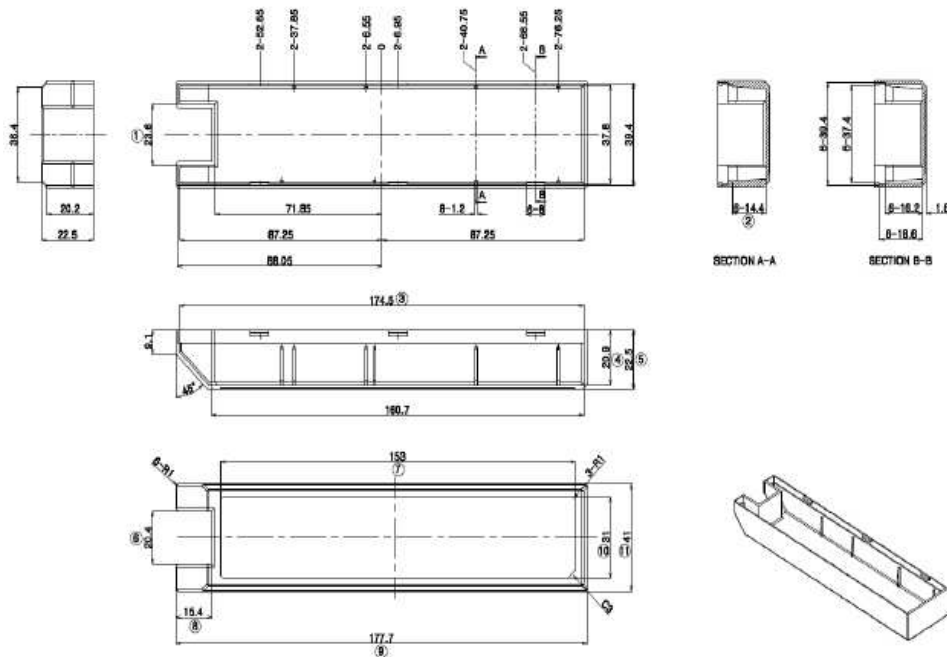
13 /14

APPENDIX 1. Appearance Drawing (in mm)

1) Housing



2) Cover





LED Driver

REV.NO.	PAGE
00	14 /14

APPENDIX 2. Label Drawing

1) Main Label

L(N) N(L) NC P.E		출력입력정격 50W 출력입력전압 220-240V~ 출력입력전류 0.22A 출력입력주파수 50/60Hz 효율 η =0.95 허용온도범위(Ta) -20℃ ~ +50℃ Case온도범위(Tc) 85℃ Max 출력입력시 정전류방식 최대출력전압(최대치) DC 40V(1제널링) 정격출력전압 DC 24V(1제널링) 정격출력전류 DC 0.84A(1제널링)	Block Connection 	<table border="1"> <thead> <tr> <th rowspan="2">Input Power</th> <th colspan="2">Output Current Setting</th> </tr> <tr> <th>SW1</th> <th>SW2</th> </tr> </thead> <tbody> <tr> <td>35W</td> <td>DN</td> <td>DN</td> </tr> <tr> <td>40W</td> <td>DN</td> <td>DN</td> </tr> <tr> <td>45W</td> <td>DN</td> <td>DN</td> </tr> <tr> <td>50W</td> <td>DN</td> <td>DN</td> </tr> </tbody> </table>	Input Power	Output Current Setting		SW1	SW2	35W	DN	DN	40W	DN	DN	45W	DN	DN	50W	DN	DN	CH2+ CH2- CH1+ CH1-
	Input Power	Output Current Setting																				
		SW1	SW2																			
	35W	DN	DN																			
	40W	DN	DN																			
45W	DN	DN																				
50W	DN	DN																				
(L(N)) 조명기구용컨버터(LED램프용) (N(L)) AC/DC LED전원 공급장치 (NC) SELV-동등 (P.E) 모델 코드 : ST1FP218750N024KOR 모델명 : KLP-AD050H-02NDK 판매사 : SAMSUNG ELECTRONICS Co., Ltd. 제조사 : Qingdao Fuyuan Electronics Co., Ltd. (중국) A/S연락처 : +82-55-290-7487 (한국태양유전) ※ 본 제품은 LED컨버터로서 LED램프 전용 제품임.	Made in China 	Output Current Setting Table Before use, always check dipswitch setting! SW1, SW2 must be set the same condition.	S/N																			

2) Barcode Label



- Serial Number : 0000-9999
- Revision : PCB Revision(1=>REV 1.0)
- ITEM Name : 4digit
- Manufactured Factory (M:Korea Taiyo Yuden, E:Chiness EMS)
- Manufactured Maker(T:Taiyo Yuden)
- Manufactured Year/Month/Day