



Chipsmall Limited consists of a professional team with an average of over 10 year of expertise in the distribution of electronic components. Based in Hongkong, we have already established firm and mutual-benefit business relationships with customers from,Europe,America and south Asia,supplying obsolete and hard-to-find components to meet their specific needs.

With the principle of “Quality Parts,Customers Priority,Honest Operation,and Considerate Service”,our business mainly focus on the distribution of electronic components. Line cards we deal with include Microchip,ALPS,ROHM,Xilinx,Pulse,ON,Everlight and Freescale. Main products comprise IC,Modules,Potentiometer,IC Socket,Relay,Connector.Our parts cover such applications as commercial,industrial, and automotives areas.

We are looking forward to setting up business relationship with you and hope to provide you with the best service and solution. Let us make a better world for our industry!



## Contact us

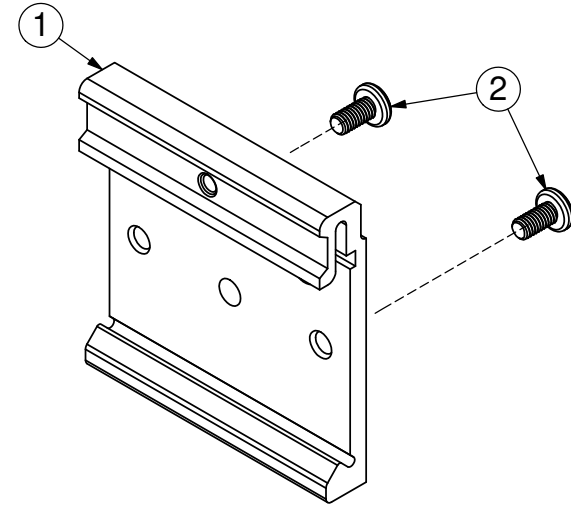
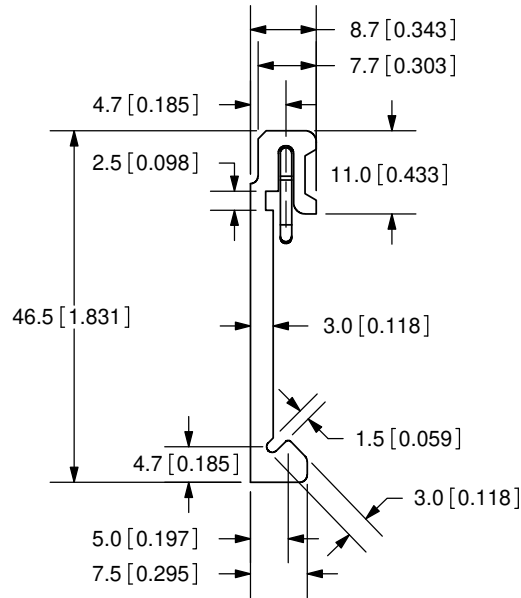
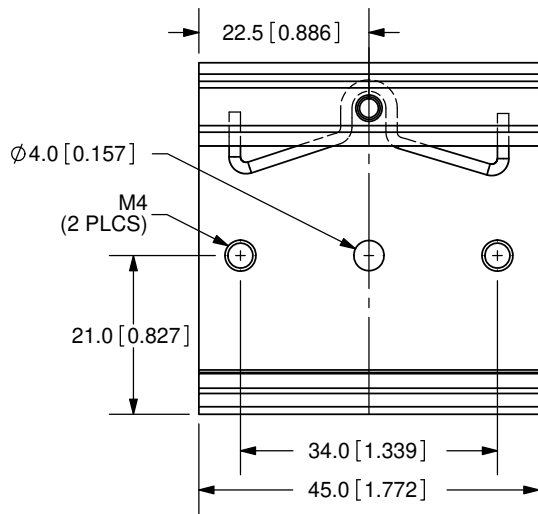
Tel: +86-755-8981 8866 Fax: +86-755-8427 6832

Email & Skype: info@chipsmall.com Web: www.chipsmall.com

Address: A1208, Overseas Decoration Building, #122 Zhenhua RD., Futian, Shenzhen, China



REV.	DESCRIPTION	DATE
A	NEW DRAWING	7/22/2008
B	multiple part updates	7/30/2010
C	mechanical change to the bracket shape	1/23/2012



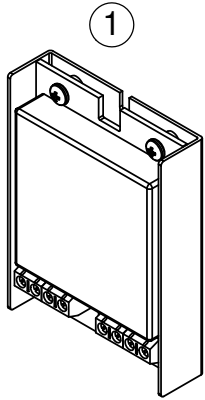
20050 SW 112th Ave.  
Tualatin, OR 97062  
Phone: 503-612-2300  
800-275-4899  
Fax: 503-612-2383  
Website: www.cui.com

TITLE: DIN RAIL MOUNTING BRACKET		REV: C
PART NO. STK-DIN		UNITS: MM [INCHES]
DRAWN BY: ZRJ	APPROVED BY:	SCALE: 1:1

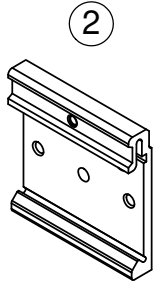
ITEM	DESCRIPTION	QUANTITY
1	VDRP-03	1
2	M4X4 SCREWS	2

PC FILE NAME:  
STK-DIN

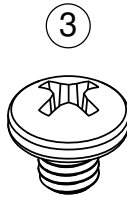
COPYRIGHT 2012 BY CUI INC.



V-INFINITY CHASSIS MOUNT CONVERTER  
QTY: 1  
(sold separately)



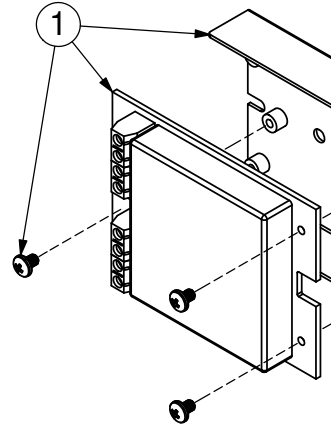
VDRP-03  
QTY: 1



M4X4  
QTY: 2

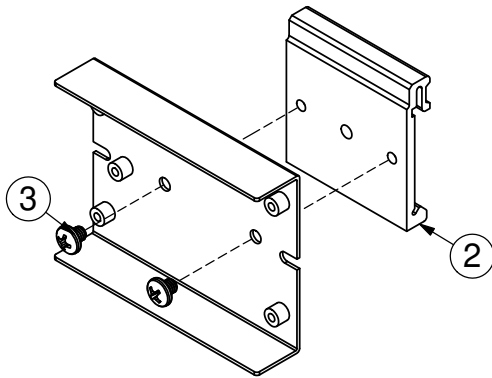
**STEP 1**

REMOVE PCB ASSEMBLY FROM CONVERTER U-FRAME BY LOOS



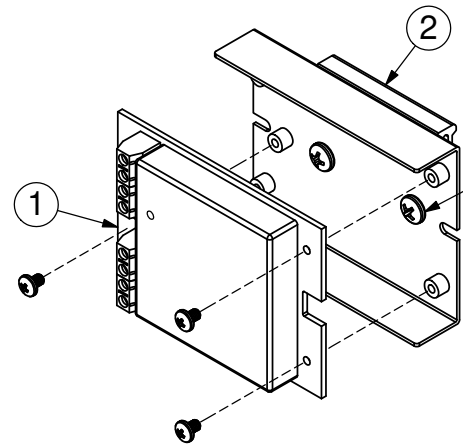
**STEP 2**

ATTACH VDRP-03 TO V-INFINITY CHASSIS MOUNT CONVERTER U-FRAME USING TWO M4X4 SCREWS



**STEP 3**

REATTACH PCB ASSEMBLY TO CHASSIS MOUNT CONVERTER



For more information, please visit the [product page](#).

PC FILE NAME:  
STK-DIN

COPYRIGHT 2012 BY CUI INC.

TITLE: DIN RA  
ASSE  
PART NO. STK-DIN  
DRAWN BY: ZRJ