



Chipsmall Limited consists of a professional team with an average of over 10 year of expertise in the distribution of electronic components. Based in Hongkong, we have already established firm and mutual-benefit business relationships with customers from,Europe,America and south Asia,supplying obsolete and hard-to-find components to meet their specific needs.

With the principle of “Quality Parts,Customers Priority,Honest Operation,and Considerate Service”,our business mainly focus on the distribution of electronic components. Line cards we deal with include Microchip,ALPS,ROHM,Xilinx,Pulse,ON,Everlight and Freescale. Main products comprise IC,Modules,Potentiometer,IC Socket,Relay,Connector.Our parts cover such applications as commercial,industrial, and automotives areas.

We are looking forward to setting up business relationship with you and hope to provide you with the best service and solution. Let us make a better world for our industry!



## Contact us

Tel: +86-755-8981 8866 Fax: +86-755-8427 6832

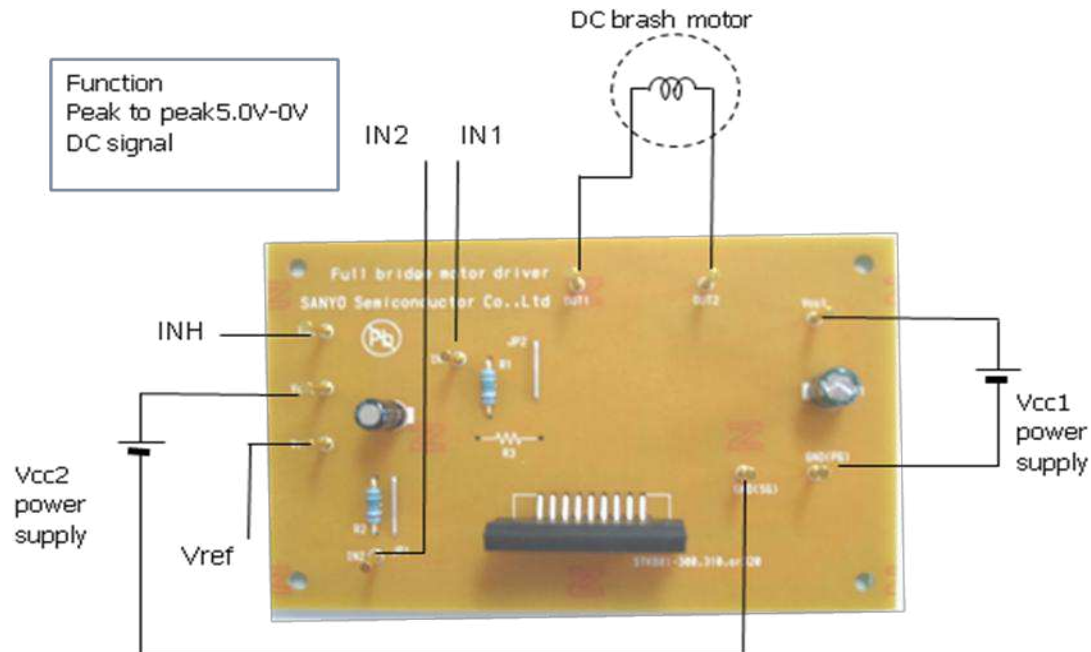
Email & Skype: info@chipsmall.com Web: www.chipsmall.com

Address: A1208, Overseas Decoration Building, #122 Zhenhua RD., Futian, Shenzhen, China





## Test Procedure for the STK681-360GEVB Evaluation Board



### Evaluation Board Setup

[Supply Voltage] Vcc1 (10 to 42V): Power Supply for DC motor  
 Vcc2 (5V) : Power Supply for internal logic IC

#### [Operation Guide]

1. Motor Connection:  
 Connect the motor to OUT1 and OUT2.
2. Initial Condition Setting:  
 Set to signal condition IN1=H, IN2=H, and INH=L.
3. Power Supply:  
 At first, supply DC voltage to Vcc2(5.0V).  
 Next, supply DC voltage to Vcc1.
4. Set to Forward or Reverse signal condition with INH=Low.  
 Turn "High" INH signal.  
 Output current flows between OUT1 and OUT2.
5. Motor Operation