



Chipsmall Limited consists of a professional team with an average of over 10 year of expertise in the distribution of electronic components. Based in Hongkong, we have already established firm and mutual-benefit business relationships with customers from,Europe,America and south Asia,supplying obsolete and hard-to-find components to meet their specific needs.

With the principle of “Quality Parts,Customers Priority,Honest Operation,and Considerate Service”,our business mainly focus on the distribution of electronic components. Line cards we deal with include Microchip,ALPS,ROHM,Xilinx,Pulse,ON,Everlight and Freescale. Main products comprise IC,Modules,Potentiometer,IC Socket,Relay,Connector.Our parts cover such applications as commercial,industrial, and automotives areas.

We are looking forward to setting up business relationship with you and hope to provide you with the best service and solution. Let us make a better world for our industry!



Contact us

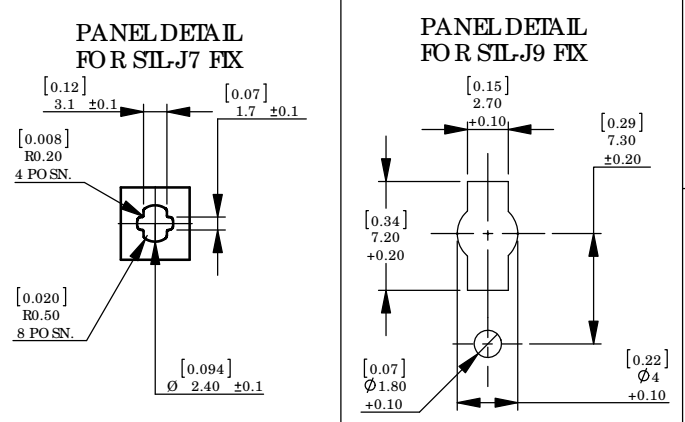
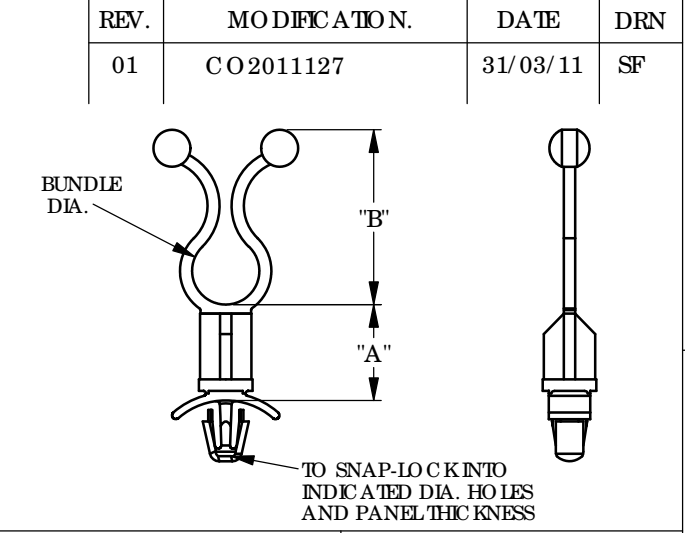
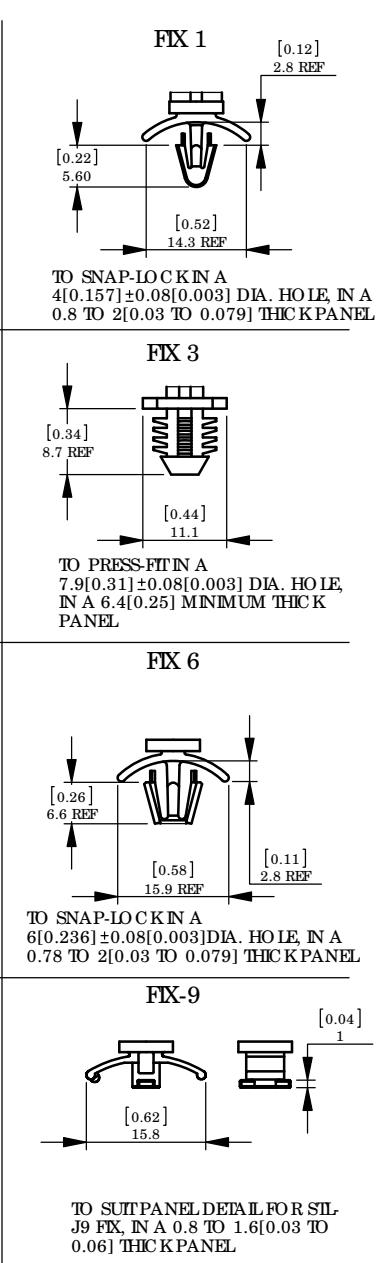
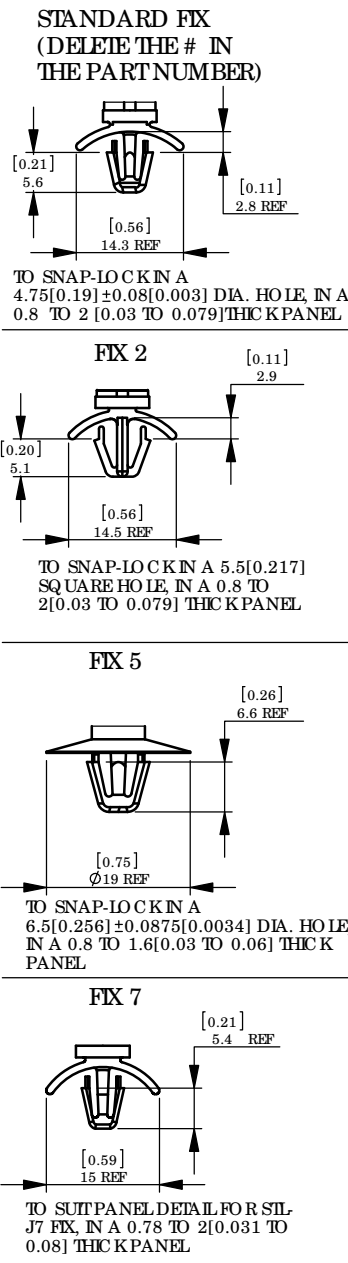
Tel: +86-755-8981 8866 Fax: +86-755-8427 6832

Email & Skype: info@chipsmall.com Web: www.chipsmall.com

Address: A1208, Overseas Decoration Building, #122 Zhenhua RD., Futian, Shenzhen, China



A	B	C	D	E	F
MATERIAL: NYLON 6/6 UL-94 V-2, RMS-01 COLOUR:NATURAL	MATERIAL: NYLON 6/6 UL-94 V-0, RMS-19 COLOUR:NATURAL	"A"	"B" REF.	BUNDLE Ø	
SIL# -250-4M-01	SIL# -250-4M-19	4(0.157)			
SIL# -250-3-01	SIL# -250-3-19	4.8(0.189)			
SIL# -250-6M-01	SIL# -250-6M-19	6(0.236)			
SIL# -250-8M-01	SIL# -250-8M-19	8(0.315)			
SIL# -250-10M-01	SIL# -250-10M-19	10(0.394)			
SIL# -250-12M-01	SIL# -250-12M-01	12(0.472)			
SIL# -250-8-01	SIL# -250-8-19	12.7(0.500)			
SIL# -250-12-01	SIL# -250-12-19	19.1(0.752)			
SIL# -250-16-01	SIL# -250-16-19	25.4(1)			
SIL# -250-20-01	SIL# -250-20-19	31.8(1.252)			
SIL# -350-4M-01	SIL# -350-4M-19	4(0.157)			
SIL# -350-3-01	SIL# -350-3-19	4.8(0.189)			
SIL# -350-6M-01	SIL# -350-6M-19	6(0.236)			
SIL# -350-8M-01	SIL# -350-8M-19	8(0.315)			
SIL# -350-10M-01	SIL# -350-10M-19	10(0.394)			
SIL# -350-12M-01	SIL# -350-12M-19	12(0.472)			
SIL# -350-8-01	SIL# -350-8-19	12.7(0.500)			
SIL# -350-12-01	SIL# -350-12-19	19.1(0.752)			
SIL# -350-16-01	SIL# -350-16-19	25.4(1)			
SIL# -350-20-01	SIL# -350-20-19	31.8(1.252)			
SIL# -450-4M-01	SIL# -450-4M-19	4(0.157)			
SIL# -450-3-01	SIL# -450-3-19	4.8(0.189)			
SIL# -450-6M-01	SIL# -450-6M-19	6(0.236)			
SIL# -450-8M-01	SIL# -450-8M-19	8(0.315)			
SIL# -450-10M-01	SIL# -450-10M-19	10(0.394)			
SIL# -450-12M-01	SIL# -450-12M-19	12(0.472)			
SIL# -450-8-01	SIL# -450-8-19	12.7(0.500)			
SIL# -450-12-01	SIL# -450-12-19	19.1(0.752)			
SIL# -450-16-01	SIL# -450-16-19	25.4(1)			
SIL# -450-20-01	SIL# -450-20-19	31.8(1.252)			
SIL# -600-4M-01	SIL# -600-4M-19	4(0.157)			
SIL# -600-3-01	SIL# -600-3-19	4.8(0.189)			
SIL# -600-6M-01	SIL# -600-6M-19	6(0.236)			
SIL# -600-8M-01	SIL# -600-8M-19	8(0.315)			
SIL# -600-10M-01	SIL# -600-10M-19	10(0.394)			
SIL# -600-12M-01	SIL# -600-12M-19	12(0.472)			
SIL# -600-8-01	SIL# -600-8-19	12.7(0.500)			
SIL# -600-12-01	SIL# -600-12-19	19.1(0.752)			
SIL# -600-16-01	SIL# -600-16-19	25.4(1)			
SIL# -600-20-01	SIL# -600-20-19	31.8(1.252)			
SIL# -750-4M-01	SIL# -750-4M-19	4(0.157)			
SIL# -750-3-01	SIL# -750-3-19	4.8(0.189)			
SIL# -750-6M-01	SIL# -750-6M-19	6(0.236)			
SIL# -750-8M-01	SIL# -750-8M-19	8(0.315)			
SIL# -750-10M-01	SIL# -750-10M-19	10(0.394)			
SIL# -750-12M-01	SIL# -750-12M-19	12(0.472)			
SIL# -750-8-01	SIL# -750-8-19	12.7(0.500)			
SIL# -750-12-01	SIL# -750-12-19	19.1(0.752)			
SIL# -750-16-01	SIL# -750-16-19	25.4(1)			
SIL# -750-20-01	SIL# -750-20-19	31.8(1.252)			
OTHER COLOURS AVAILABLE BY SPECIAL ORDER					



INFORMATION CONTAINED IN THIS DOCUMENT IS CONFIDENTIAL TO RICHCO INTERNATIONAL Co. Ltd. AND MAY NOT BE DISCLOSED OR REPRODUCED IN WHOLE OR PART WITHOUT THEIR WRITTEN CONSENT.

RIC HCO, INC.
WWW.RICHCO-INC.COM

ALL DIMENSIONS IN mm [Inches]
GENERAL TOLERANCES ±0.25
UNLESS OTHERWISE SPECIFIED
1 DECIMAL PLACE ±
2 DECIMAL PLACES ±
ANGULAR ±1°

THIRD ANGLE

MATERIAL: See table
COLOUR: See table

DESCRIPTION: STAND-OFF TWIST LOCK
PART No: See Table

DRG No: 011-014
NPR No: RR10-0002
SHEET SIZE A4

DRN SF	DATE 14/02/11	CHKD TC	DATE 14/02/11	SCALE NTS	SHEET No. 1 OF 1
--------	---------------	---------	---------------	-----------	------------------

NOTE:
ALTERNATE DIMENSIONS FOR REFERENCE ONLY

REPLACE # WITH FIX STYLE REQUIRED.
EXAMPLE:
"SIL-J1-250-4M-01"