



Chipsmall Limited consists of a professional team with an average of over 10 year of expertise in the distribution of electronic components. Based in Hongkong, we have already established firm and mutual-benefit business relationships with customers from,Europe,America and south Asia,supplying obsolete and hard-to-find components to meet their specific needs.

With the principle of “Quality Parts,Customers Priority,Honest Operation,and Considerate Service”,our business mainly focus on the distribution of electronic components. Line cards we deal with include Microchip,ALPS,ROHM,Xilinx,Pulse,ON,Everlight and Freescale. Main products comprise IC,Modules,Potentiometer,IC Socket,Relay,Connector.Our parts cover such applications as commercial,industrial, and automotives areas.

We are looking forward to setting up business relationship with you and hope to provide you with the best service and solution. Let us make a better world for our industry!



Contact us

Tel: +86-755-8981 8866 Fax: +86-755-8427 6832

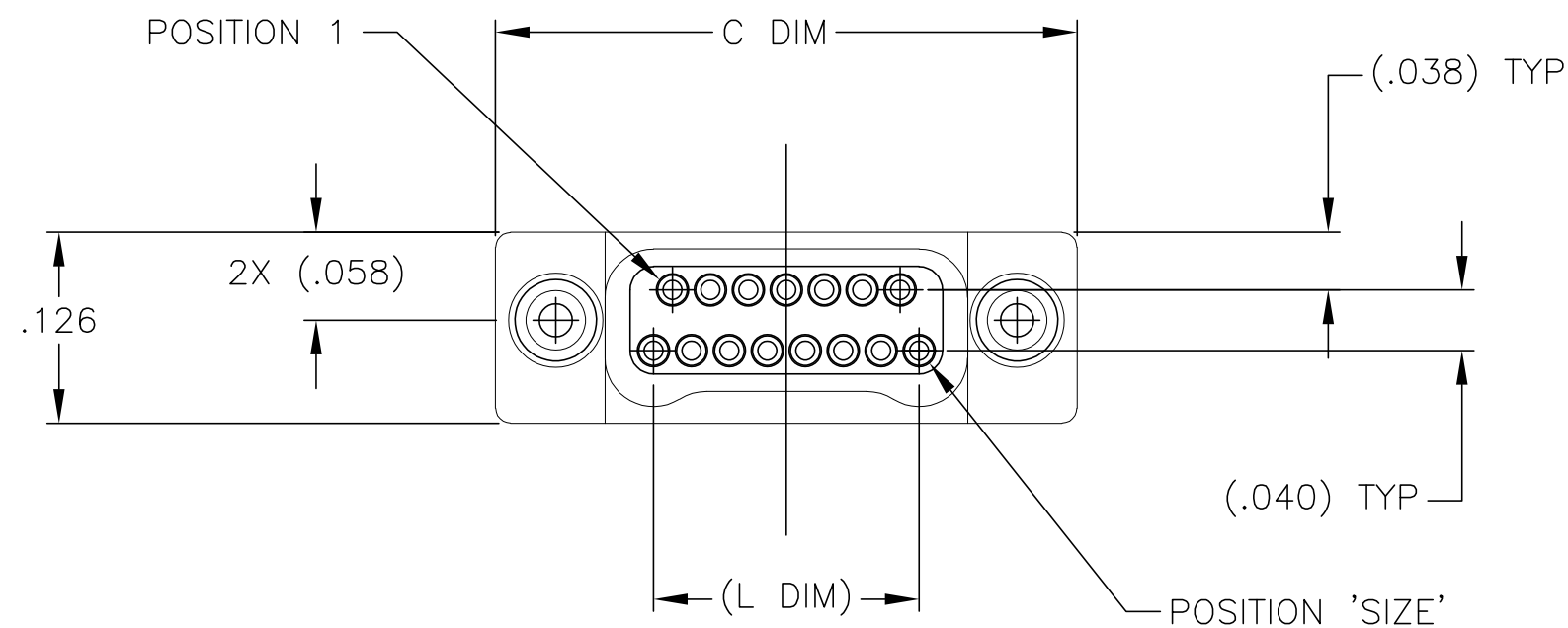
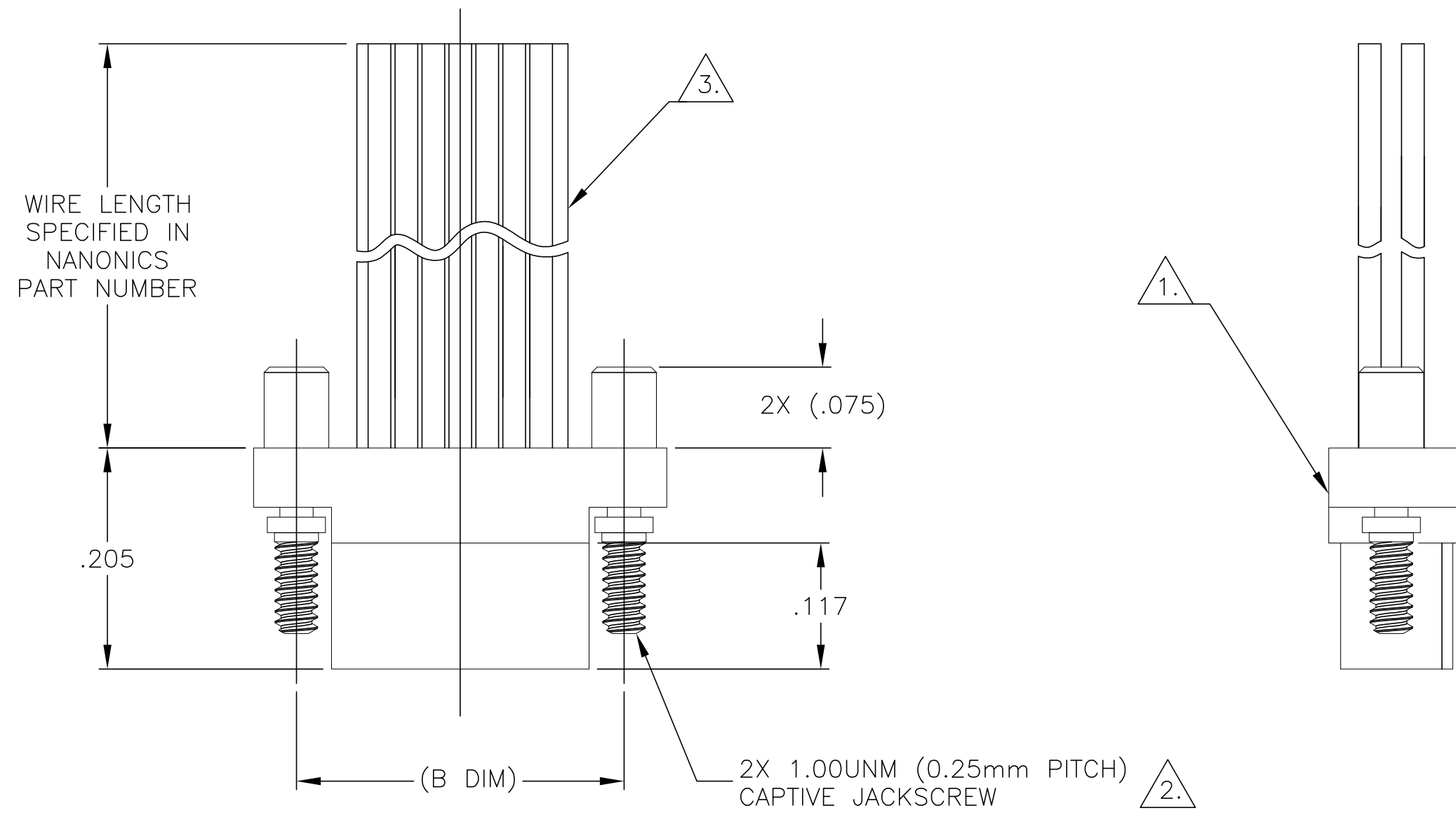
Email & Skype: info@chipsmall.com Web: www.chipsmall.com

Address: A1208, Overseas Decoration Building, #122 Zhenhua RD., Futian, Shenzhen, China



THIS DRAWING IS UNPUBLISHED. RELEASED FOR PUBLICATION
 © COPYRIGHT - By - ALL RIGHTS RESERVED.

LOC		DIST		REVISIONS			
P	LTR	DESCRIPTION	DATE	DWN	APVD		
DF	DO	R1	REVISED PER ECO-11-005139	21MAR11	RK	HMR	



SIZE	(B DIM)	C DIM ±.0050	(L DIM)
09	(.229)	.3085	(.100)
15	(.304)	.3835	(.175)
25	(.429)	.5085	(.300)
37	(.579)	.6585	(.450)
51	(.754)	.8335	(.625)
65	(.929)	1.0085	(.800)

1. SHELL OPTIONS (TO BE SPECIFIED IN NANONICS PART NUMBER):
 METAL: 6061-T6 ALUMINUM, ELECTROLESS NICKEL PLATED PER MIL-C-26074 (STANDARD) OR GOLD PLATED PER MIL-G-45204
 303 STAINLESS STEEL, PASSIVATED PER SAE-AMS-QQ-P-35
 INSULATOR MATERIAL FOR ALL METAL SHELLS IS LIQUID CRYSTAL POLYMER (LCP) PER MIL-M-24519 OR PER ASTM D5138
 PLASTIC: LIQUID CRYSTAL POLYMER (LCP) PER MIL-M-24519 OR PER ASTM D5138

2. STANDARD 1.00UNM CAPTIVE JACKSCREWS ARE SHOWN FOR REFERENCE ONLY AND MUST BE SPECIFIED IN THE NANONICS PART NUMBER WHEN REQUIRED. JACKSCREW MATERIAL IS 303 STAINLESS STEEL, PASSIVATED PER SAE-AMS-QQ-P-35, AND DRY LUBED PER DOD-L-85645. RETAINING RING IS 17-4 STAINLESS STEEL, PASSIVATED PER SAE-AMS-QQ-P-35. JACKSCREWS HAVE A .9mm HEX SOCKET HEAD. 1.20UNM JACKSCREWS ALSO AVAILABLE.

3. THIS CONFIGURATION MAY BE TERMINATED WITH 28 AWG SOLID, 30 AWG STRANDED OR SMALLER WIRE, OR RIBBON CABLE. CONDUCTOR TYPE AND LENGTH MUST BE SPECIFIED IN NANONICS PART NUMBER.

4. THIS DRAWING PREVIOUSLY IDENTIFIED AS NANONICS N10138/201

THIS DRAWING IS A CONTROLLED DOCUMENT.		DWN D. RYAN 21 APR 92																				
DIMENSIONS: INCHES		CHK E. PAULUS 15 MAY 98																				
TOLERANCES UNLESS OTHERWISE SPECIFIED:		APVD M. STORRY 5 APR 01	NAME PLUG ASSEMBLY, FLYING LEADS, TWO ROW DUALOBE, PLASTIC OR METAL																			
<table border="1"> <tr> <td>0 PLC</td> <td>±</td> <td>-</td> </tr> <tr> <td>1 PLC</td> <td>±</td> <td>-</td> </tr> <tr> <td>2 PLC</td> <td>±</td> <td>.010</td> </tr> <tr> <td>3 PLC</td> <td>±</td> <td>.005</td> </tr> <tr> <td>4 PLC</td> <td>±</td> <td>-</td> </tr> <tr> <td>ANGLES</td> <td></td> <td>± 1°</td> </tr> </table>		0 PLC	±	-	1 PLC	±	-	2 PLC	±	.010	3 PLC	±	.005	4 PLC	±	-	ANGLES		± 1°	PRODUCT SPEC	SIZE A2	
0 PLC	±	-																				
1 PLC	±	-																				
2 PLC	±	.010																				
3 PLC	±	.005																				
4 PLC	±	-																				
ANGLES		± 1°																				
MATERIAL SEE NOTES		APPLICATION SPEC	CAGE CODE 00779	DRAWING NO 1589472																		
FINISH SEE NOTES		WEIGHT -	RESTRICTED TO	REV R1																		
CUSTOMER DRAWING		SCALE 8:1	SHEET 1 of 1																			