



Chipsmall Limited consists of a professional team with an average of over 10 year of expertise in the distribution of electronic components. Based in Hongkong, we have already established firm and mutual-benefit business relationships with customers from,Europe,America and south Asia,supplying obsolete and hard-to-find components to meet their specific needs.

With the principle of "Quality Parts,Customers Priority,Honest Operation,and Considerate Service",our business mainly focus on the distribution of electronic components. Line cards we deal with include Microchip,ALPS,ROHM,Xilinx,Pulse,ON,Everlight and Freescale. Main products comprise IC,Modules,Potentiometer,IC Socket,Relay,Connector.Our parts cover such applications as commercial,industrial, and automotives areas.

We are looking forward to setting up business relationship with you and hope to provide you with the best service and solution. Let us make a better world for our industry!



Contact us

Tel: +86-755-8981 8866 Fax: +86-755-8427 6832

Email & Skype: info@chipsmall.com Web: www.chipsmall.com

Address: A1208, Overseas Decoration Building, #122 Zhenhua RD., Futian, Shenzhen, China



Automotive-grade N-channel 30 V, 0.0076 Ω typ., 56 A STripFET™ H5 Power MOSFET in a PowerFLAT™ 5x6 package

Datasheet — production data

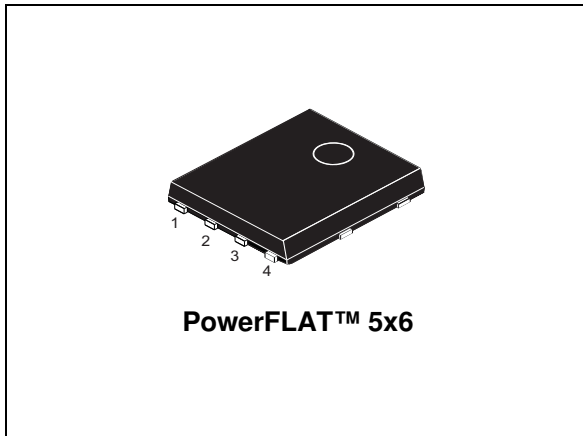
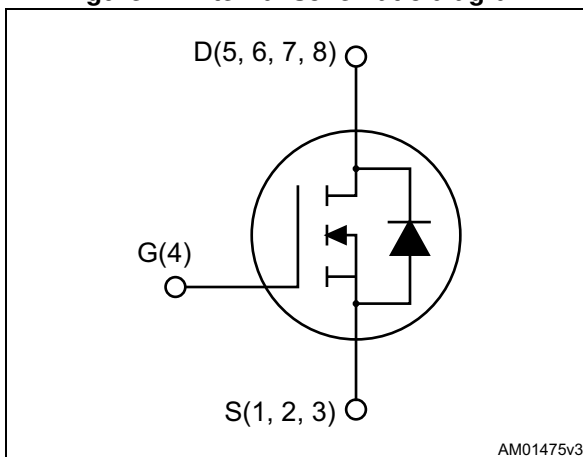


Figure 1. Internal schematic diagram



Features

Order code	V_{DS}	$R_{DS(on) max}$	I_D
STL58N3LLH5	30 V	0.009 Ω	56 A

- Designed for automotive applications and AEC-Q101 qualified
- Low on-resistance
- High avalanche ruggedness
- Low gate drive power loss
- Wettable flank package

Applications

- Switching applications

Description

This device is an N-channel Power MOSFET developed using STMicroelectronics' STripFET™ H5 technology. The device has been optimized to achieve very low on-state resistance, contributing to a FoM that is among the best in its class.

Table 1. Device summary

Order code	Marking	Package	Packaging
STL58N3LLH5	58N3LH5	PowerFLAT™ 5x6	Tape and reel

Contents

1	Electrical ratings	3
2	Electrical characteristics	4
	2.1 Electrical characteristics (curves)	6
3	Test circuits	8
4	Package mechanical data	9
5	Packaging mechanical data	13
6	Revision history	15

1 Electrical ratings

Table 2. Absolute maximum ratings

Symbol	Parameter	Value	Unit
V_{DS}	Drain-source voltage	30	V
V_{GS}	Gate-source voltage	+22 / -20	V
$I_D^{(1)}$	Drain current (continuous) at $T_C = 25^\circ\text{C}$	64	A
$I_D^{(1)}$	Drain current (continuous) at $T_C = 100^\circ\text{C}$	45	A
$I_D^{(2)}$	Drain current (continuous) at $T_{pcb} = 25^\circ\text{C}$	16	A
$I_D^{(2)}$	Drain current (continuous) at $T_{pcb} = 100^\circ\text{C}$	11.5	A
$I_{DM}^{(1)(3)}$	Drain current (pulsed)	224	A
$I_{DM}^{(2)(3)}$	Drain current (pulsed)	75	A
$P_{TOT}^{(1)}$	Total dissipation at $T_C = 25^\circ\text{C}$	62.5	W
$P_{TOT}^{(2)}$	Total dissipation at $T_{pcb} = 25^\circ\text{C}$	4.8	W
$E_{AS}^{(4)}$	Single pulse avalanche energy	150	mJ
T_J	Operating junction temperature	-55 to 175	$^\circ\text{C}$
T_{stg}	Storage temperature		

1. The value is rated according to R_{thj-c}
2. The value is rated according to $R_{thj-pcb}$
3. Pulse width limited by safe operating area
4. Starting $T_j = 25^\circ\text{C}$, $I_D = 56\text{ A}$, $V_{DD} = 50\text{ V}$

Table 3. Thermal resistance

Symbol	Parameter	Value	Unit
$R_{thj-case}$	Thermal resistance junction-case	2	$^\circ\text{C/W}$
$R_{thj-pcb}^{(1)}$	Thermal resistance junction-pcb	31.3	$^\circ\text{C/W}$

1. When mounted on FR-4 board of 1inch², 2oz Cu, $t < 10\text{ sec}$

2 Electrical characteristics

($T_{CASE} = 25\text{ °C}$ unless otherwise specified)

Table 4. On/off states

Symbol	Parameter	Test conditions	Min.	Typ.	Max.	Unit
$V_{(BR)DSS}$	Drain-source breakdown voltage	$V_{GS} = 0\text{ V}$, $I_D = 250\text{ }\mu\text{A}$	30			V
I_{DSS}	Zero gate voltage drain current	$V_{GS} = 0\text{ V}$, $V_{DS} = 30\text{ V}$,			1	μA
		$V_{GS} = 0\text{ V}$ $V_{DS} = 30\text{ V}$, $T_C = 125\text{ °C}$			10	μA
I_{GSS}	Gate body leakage current	$V_{DS} = 0\text{ V}$, $V_{GS} = +22 / -20\text{ V}$			± 100	nA
$V_{GS(th)}$	Gate threshold voltage	$V_{DS} = V_{GS}$, $I_D = 250\text{ }\mu\text{A}$	1		2.5	V
$R_{DS(on)}$	Static drain-source on- resistance	$V_{GS} = 10\text{ V}$, $I_D = 7.5\text{ A}$		0.0076	0.009	Ω
		$V_{GS} = 4.5\text{ V}$, $I_D = 7.5\text{ A}$		0.0099	0.0112	Ω

Table 5. Dynamic

Symbol	Parameter	Test conditions	Min.	Typ.	Max.	Unit
C_{iss}	Input capacitance	$V_{DS} = 2.5\text{ V}$, $f = 1\text{ MHz}$, $V_{GS} = 0\text{ V}$	-	950		pF
C_{oss}	Output capacitance		-	193		pF
C_{rss}	Reverse transfer capacitance		-	27		pF
Q_g	Total gate charge	$V_{DD} = 15\text{ V}$, $I_D = 15\text{ A}$, $V_{GS} = 4.5\text{ V}$ (see Figure 14)	-	6.5	10	nC
Q_{gs}	Gate-source charge		-	3.3		nC
Q_{gd}	Gate-drain charge		-	2.4		nC
R_g	Gate input resistance	$f = 1\text{ MHz}$, gate DC Bias = 0, test signal level = 20 mV, $I_D = 0\text{ A}$	-	1.7	2.5	Ω

Table 6. Switching times

Symbol	Parameter	Test conditions	Min.	Typ.	Max.	Unit
$t_{d(on)}$	Turn-on delay time	$V_{DD} = 15\text{ V}$, $I_D = 7.5\text{ A}$, $R_G = 4.7\ \Omega$, $V_{GS} = 10\text{ V}$ (see Figure 13)	-	10.8	-	ns
t_r	Rise time		-	15.6	-	ns
$t_{d(off)}$	Turn-off delay time		-	14.2	-	ns
t_f	Fall time		-	6	-	ns

Table 7. Source drain diode

Symbol	Parameter	Test conditions	Min	Typ.	Max	Unit
I_{SD}	Source-drain current		-		56	A
$I_{SDM}^{(1)}$	Source-drain current (pulsed)		-		224	A
$V_{SD}^{(2)}$	Forward on voltage	$I_{SD} = 15\text{ A}$, $V_{GS} = 0\text{ V}$	-		1.1	V
t_{rr}	Reverse recovery time	$I_{SD} = 15\text{ A}$, $di/dt = 100\text{ A}/\mu\text{s}$, $V_{DD} = 25\text{ V}$, $T_J = 150\text{ }^\circ\text{C}$	-	20	36	ns
Q_{rr}	Reverse recovery charge		-	10	18	nC
I_{RRM}	Reverse recovery current		-	1		A

1. Pulse width limited by safe operating area
2. Pulsed: pulse duration= 300 μs , duty cycle 1.5%

2.1 Electrical characteristics (curves)

Figure 2. Safe operating area

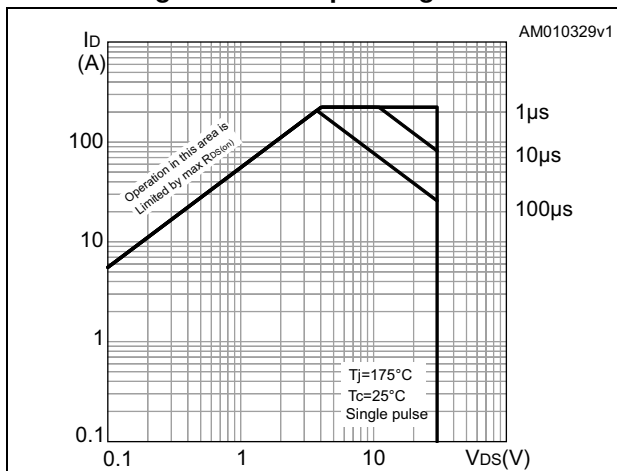


Figure 3. Thermal impedance

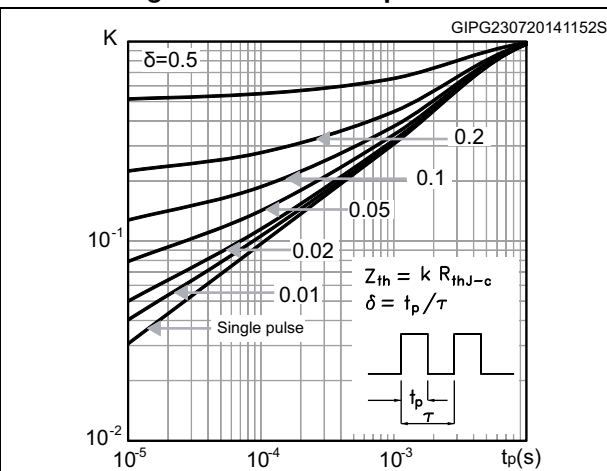


Figure 4. Output characteristics

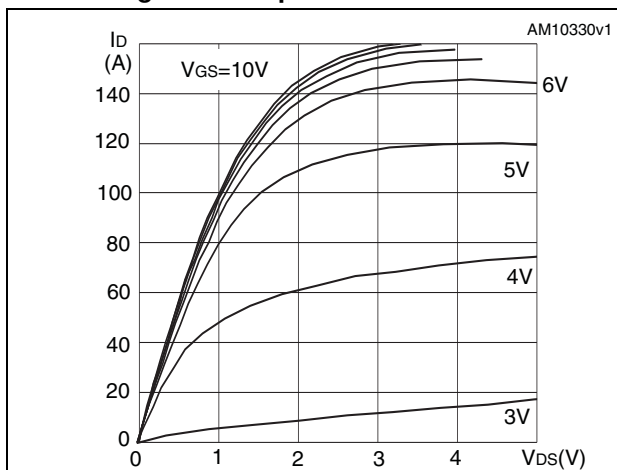


Figure 5. Transfer characteristics

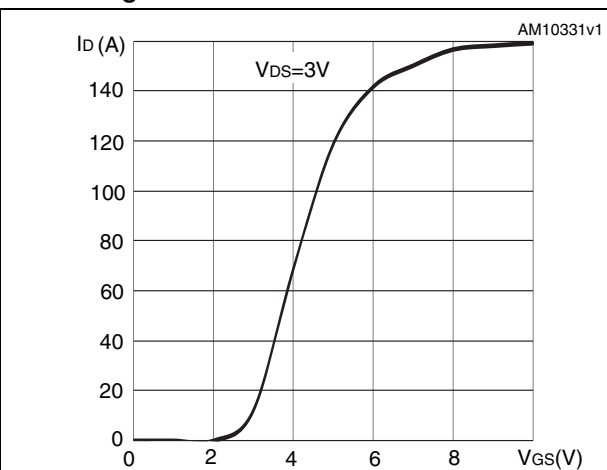


Figure 6. Normalized $V_{(BR)DSS}$ vs temperature

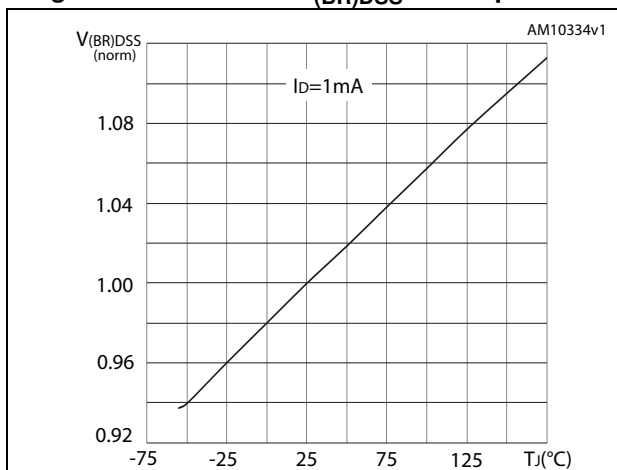


Figure 7. Static drain-source on-resistance

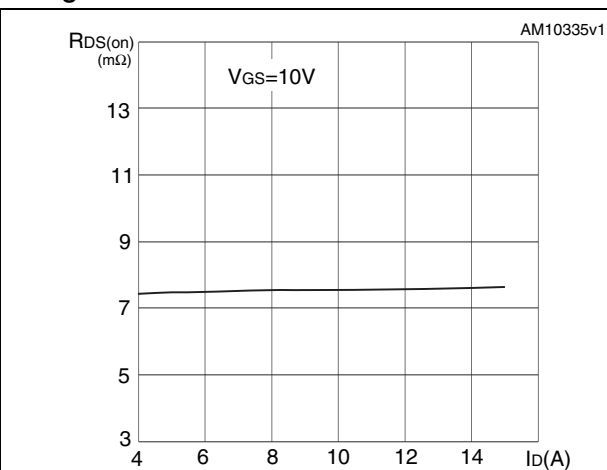


Figure 8. Gate charge vs gate-source voltage

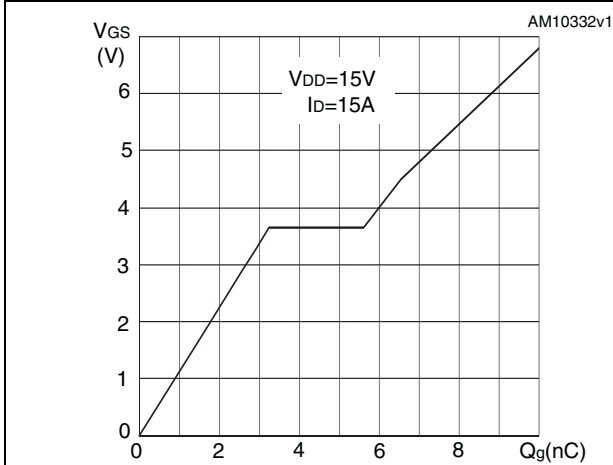


Figure 9. Capacitance variations

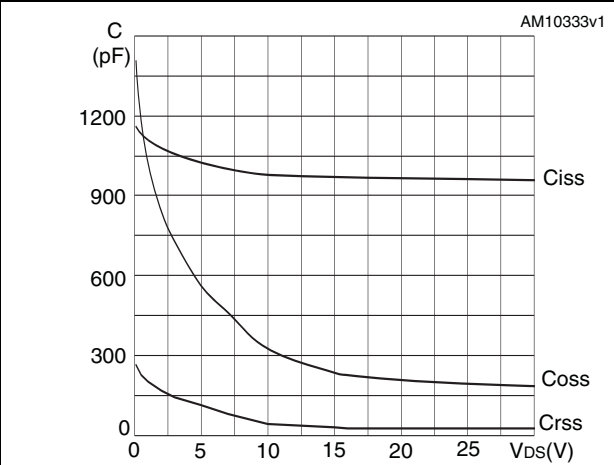


Figure 10. Normalized gate threshold voltage vs temperature

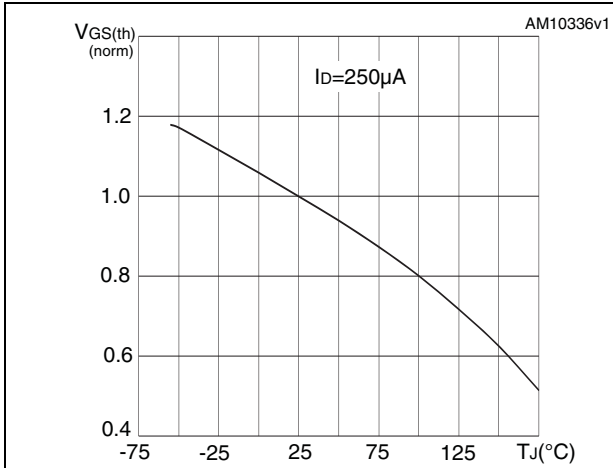


Figure 11. Normalized on-resistance vs temperature

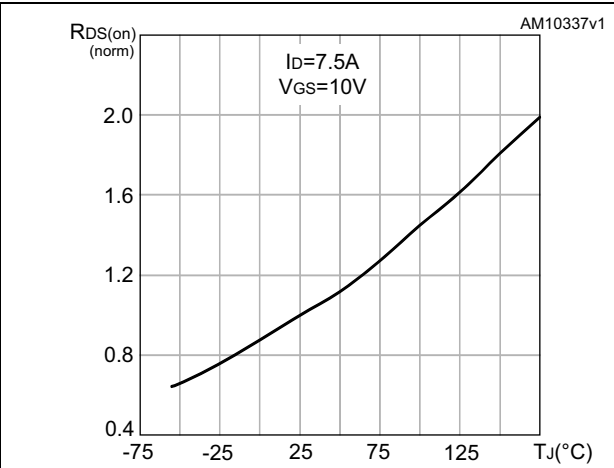
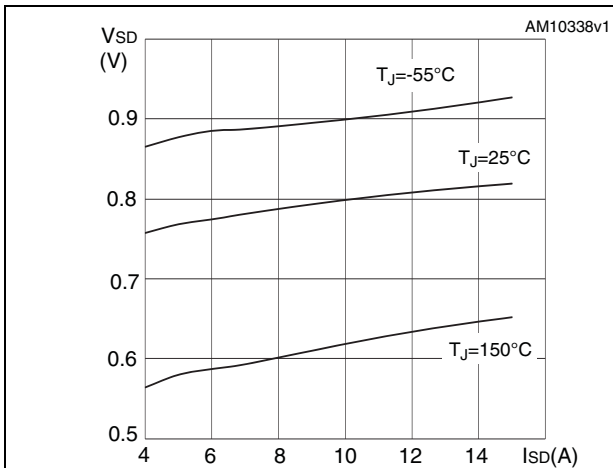


Figure 12. Source-drain diode forward characteristics



3 Test circuits

Figure 13. Switching times test circuit for resistive load

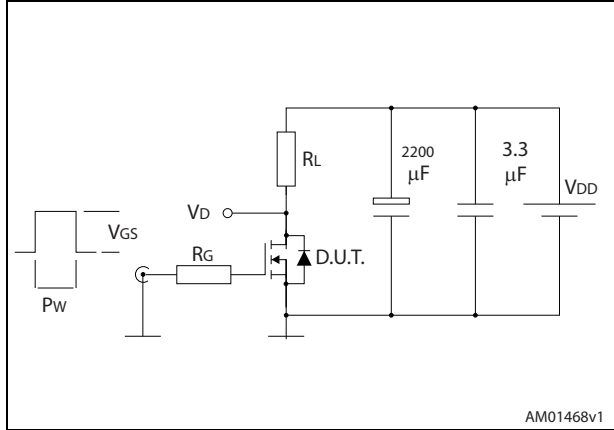


Figure 14. Gate charge test circuit

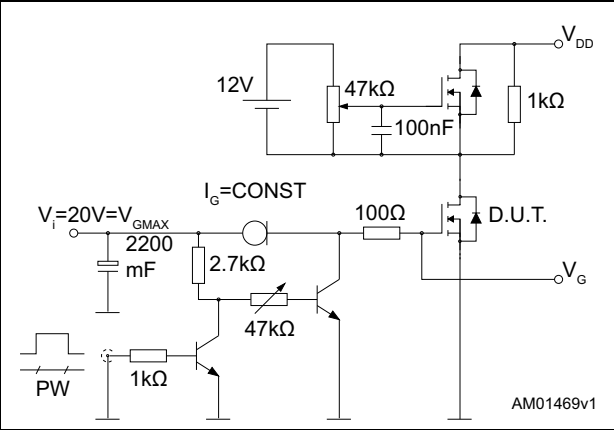


Figure 15. Test circuit for inductive load switching and diode recovery times

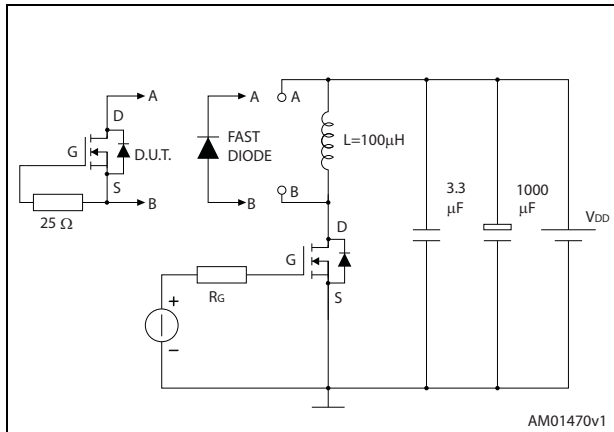


Figure 16. Unclamped inductive load test circuit

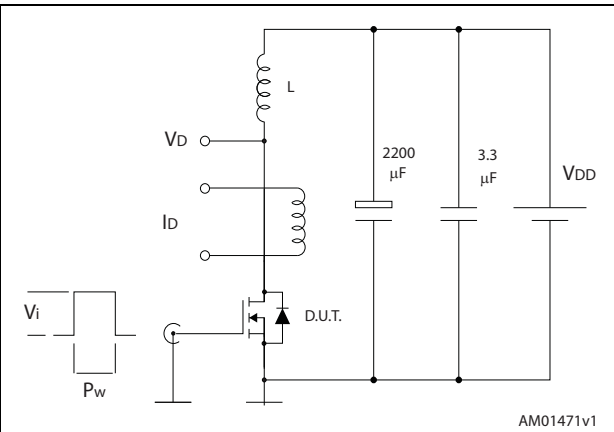


Figure 17. Unclamped inductive waveform

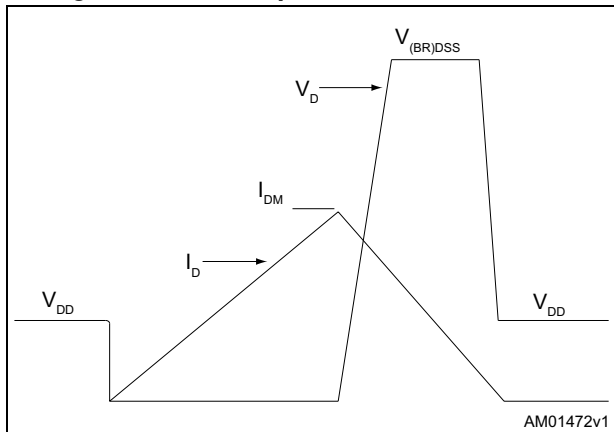
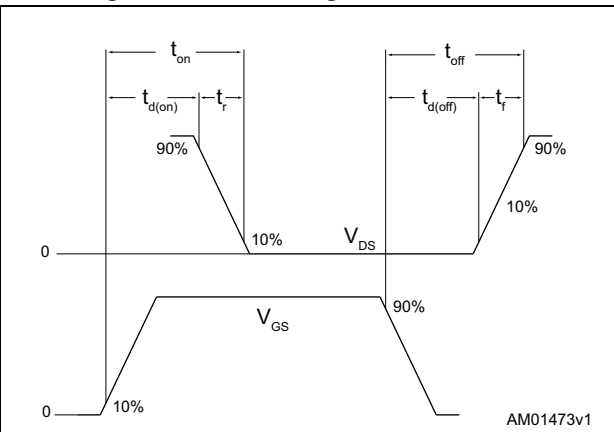


Figure 18. Switching time waveform



4 Package mechanical data

In order to meet environmental requirements, ST offers these devices in different grades of ECOPACK[®] packages, depending on their level of environmental compliance. ECOPACK[®] specifications, grade definitions and product status are available at: www.st.com. ECOPACK[®] is an ST trademark.

Figure 19. PowerFLAT™ 5x6 WF type S-R drawing

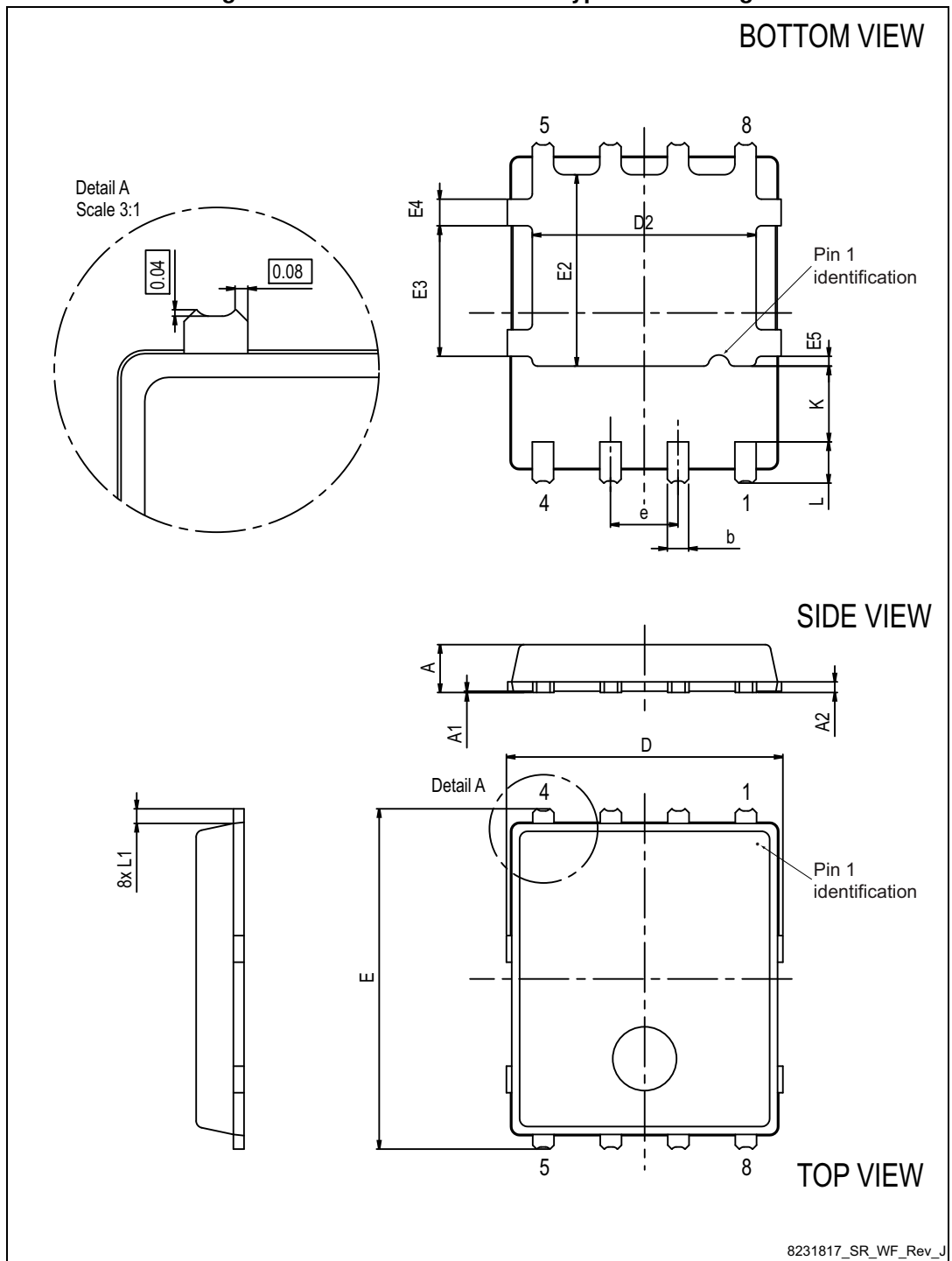
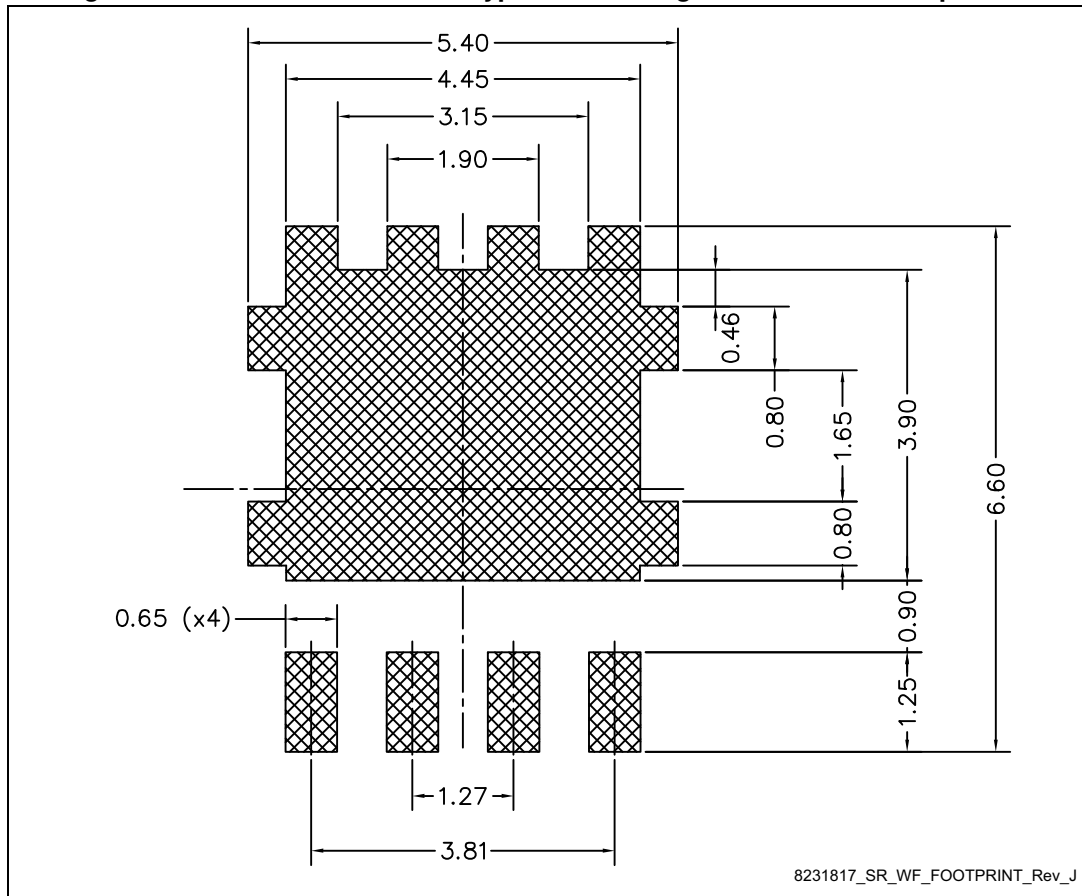


Table 8. PowerFLAT™ 5x6 WF type S-R mechanical data

Dim.	mm		
	Min.	Typ.	Max.
A	0.80		1.00
A1	0.02		0.05
A2		0.25	
b	0.30		0.50
D	5.00	5.20	5.40
E	6.20	6.40	6.60
D2	4.11		4.31
E2	3.50		3.70
e		1.27	
L	0.70		0.90
L1		0.275	
K	1.275		1.575
E3	2.35		2.55
E4	0.40		0.60
E5	0.08		0.28

Figure 20. PowerFLAT™ 5x6 WF type S-R drawing recommended footprint (a)



a. All dimensions are in mm.

5 Packaging mechanical data

Figure 21. PowerFLAT™ 5x6 type R-WF tape^(b)

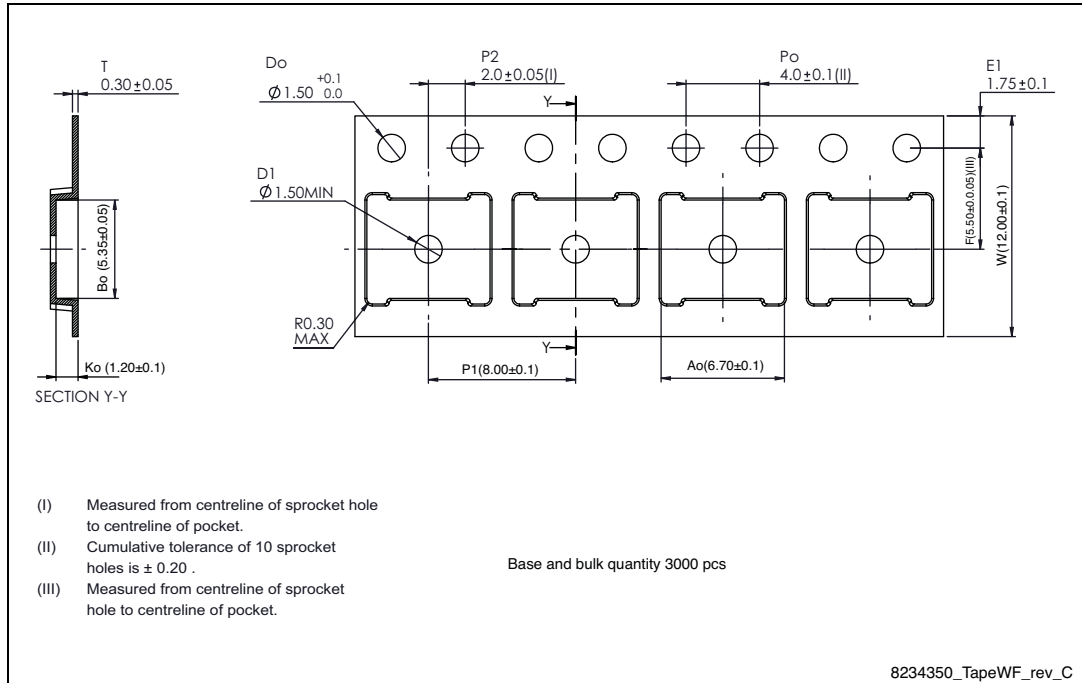
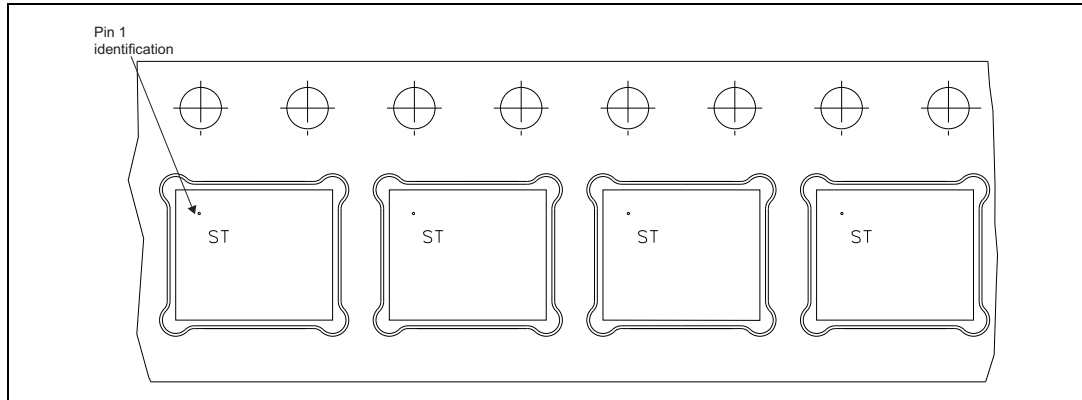
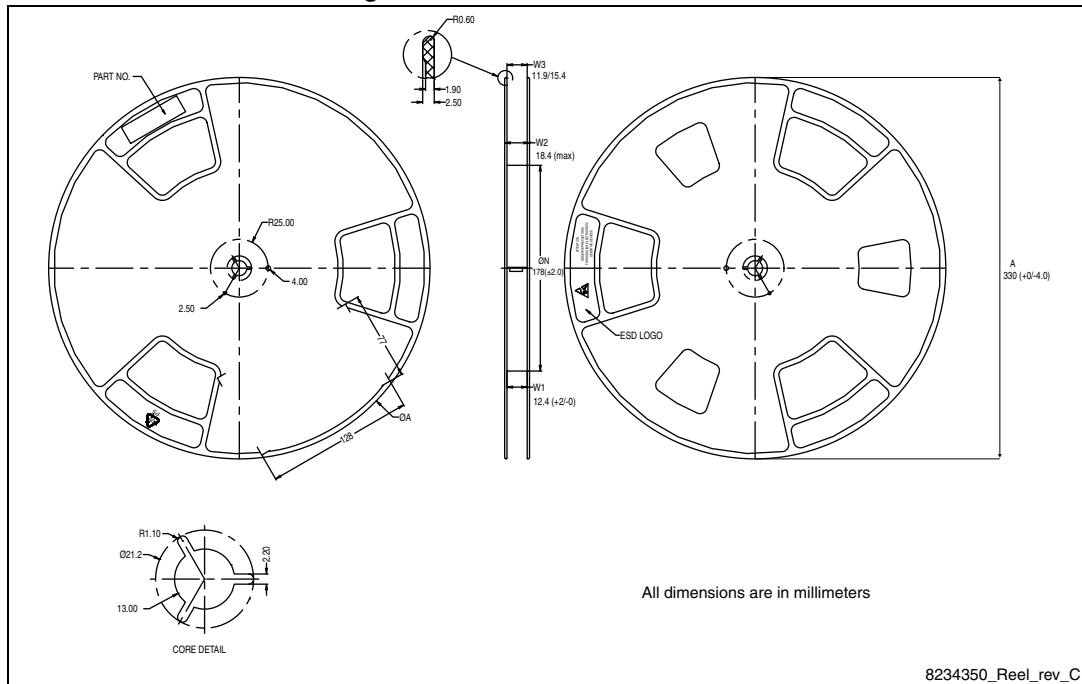


Figure 22. PowerFLAT™ 5x6 package orientation in carrier tape



b. All dimensions are in millimeters.

Figure 23. PowerFLAT™ 5x6 reel



6 Revision history

Table 9. Document revision history

Date	Revision	Changes
04-Aug-2014	1	First release.
15-Dec-2014	2	Text edits throughout document. On cover page: Updated title, features and description Updated Table 2: Absolute maximum ratings Updated Figure 19: PowerFLAT™ 5x6 WF type S-R drawing

IMPORTANT NOTICE – PLEASE READ CAREFULLY

STMicroelectronics NV and its subsidiaries ("ST") reserve the right to make changes, corrections, enhancements, modifications, and improvements to ST products and/or to this document at any time without notice. Purchasers should obtain the latest relevant information on ST products before placing orders. ST products are sold pursuant to ST's terms and conditions of sale in place at the time of order acknowledgement.

Purchasers are solely responsible for the choice, selection, and use of ST products and ST assumes no liability for application assistance or the design of Purchasers' products.

No license, express or implied, to any intellectual property right is granted by ST herein.

Resale of ST products with provisions different from the information set forth herein shall void any warranty granted by ST for such product.

ST and the ST logo are trademarks of ST. All other product or service names are the property of their respective owners.

Information in this document supersedes and replaces information previously supplied in any prior versions of this document.

© 2014 STMicroelectronics – All rights reserved