



Chipsmall Limited consists of a professional team with an average of over 10 year of expertise in the distribution of electronic components. Based in Hongkong, we have already established firm and mutual-benefit business relationships with customers from,Europe,America and south Asia,supplying obsolete and hard-to-find components to meet their specific needs.

With the principle of “Quality Parts,Customers Priority,Honest Operation,and Considerate Service”,our business mainly focus on the distribution of electronic components. Line cards we deal with include Microchip,ALPS,ROHM,Xilinx,Pulse,ON,Everlight and Freescale. Main products comprise IC,Modules,Potentiometer,IC Socket,Relay,Connector.Our parts cover such applications as commercial,industrial, and automotives areas.

We are looking forward to setting up business relationship with you and hope to provide you with the best service and solution. Let us make a better world for our industry!



Contact us

Tel: +86-755-8981 8866 Fax: +86-755-8427 6832

Email & Skype: info@chipsmall.com Web: www.chipsmall.com

Address: A1208, Overseas Decoration Building, #122 Zhenhua RD., Futian, Shenzhen, China



PART NUMBER CODING

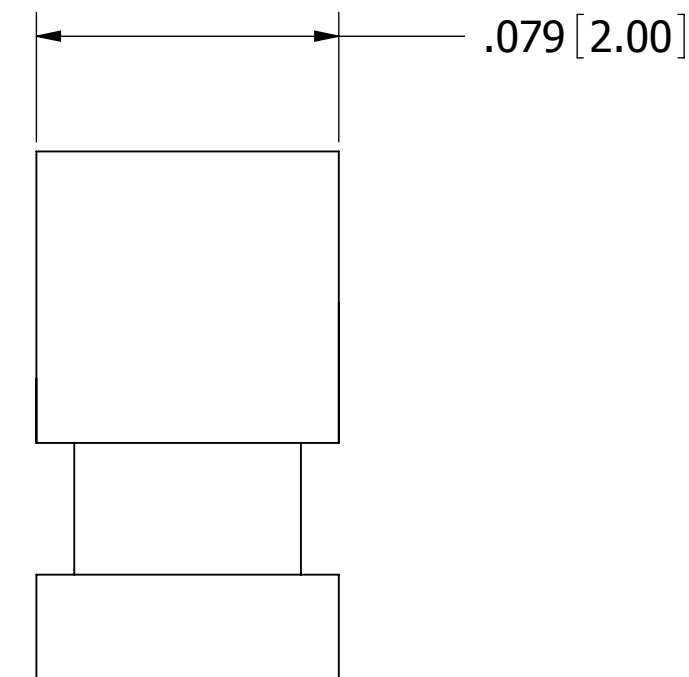
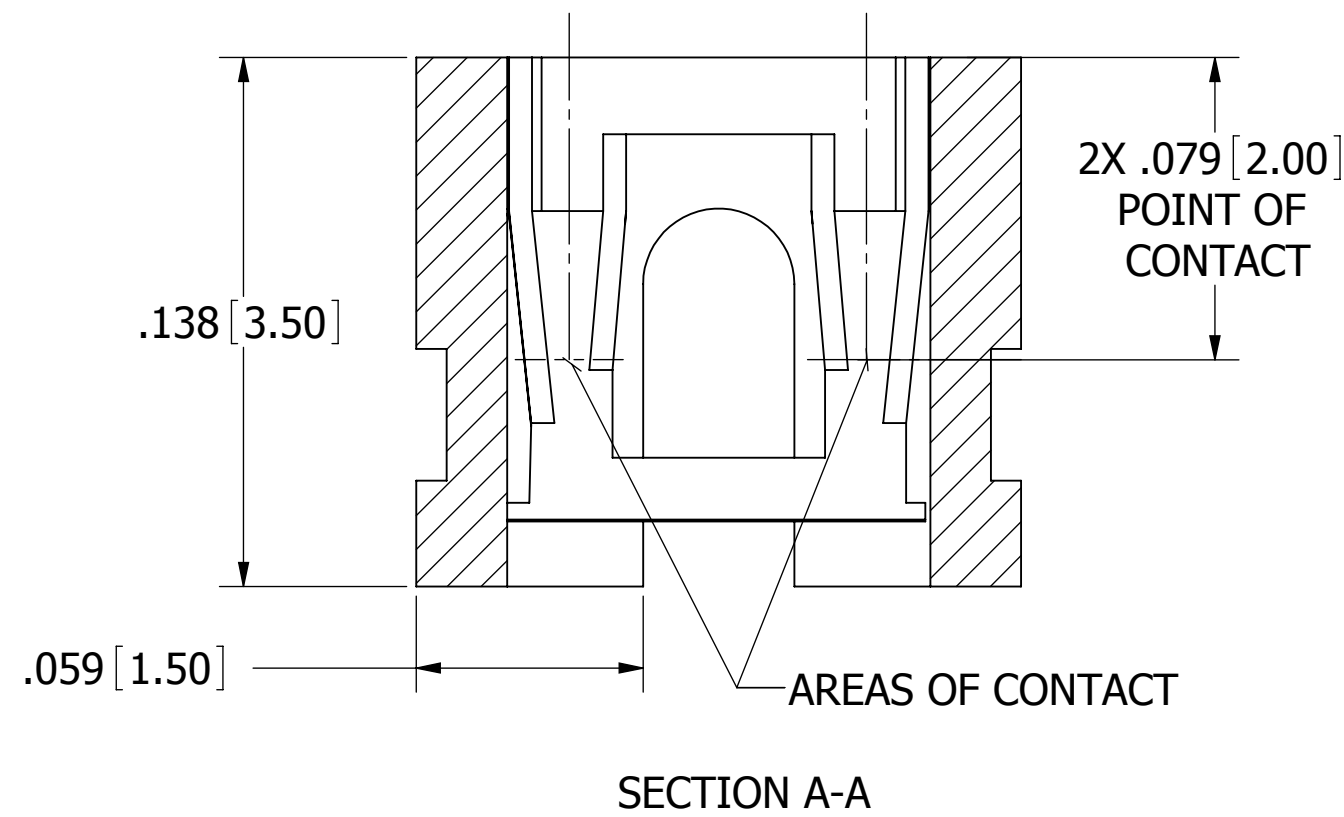
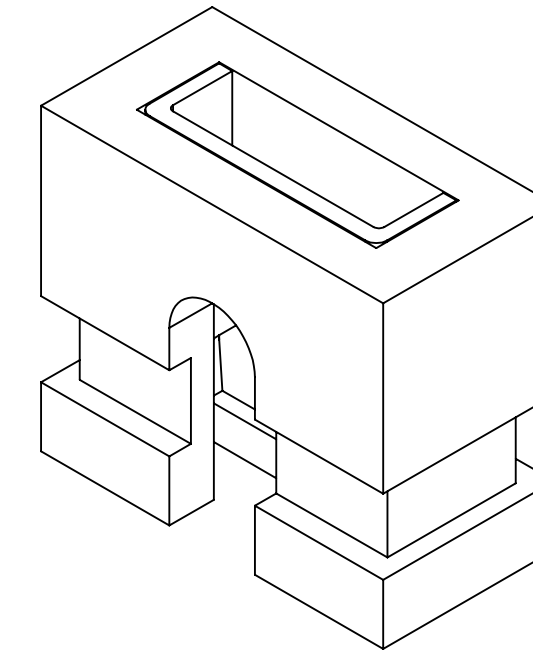
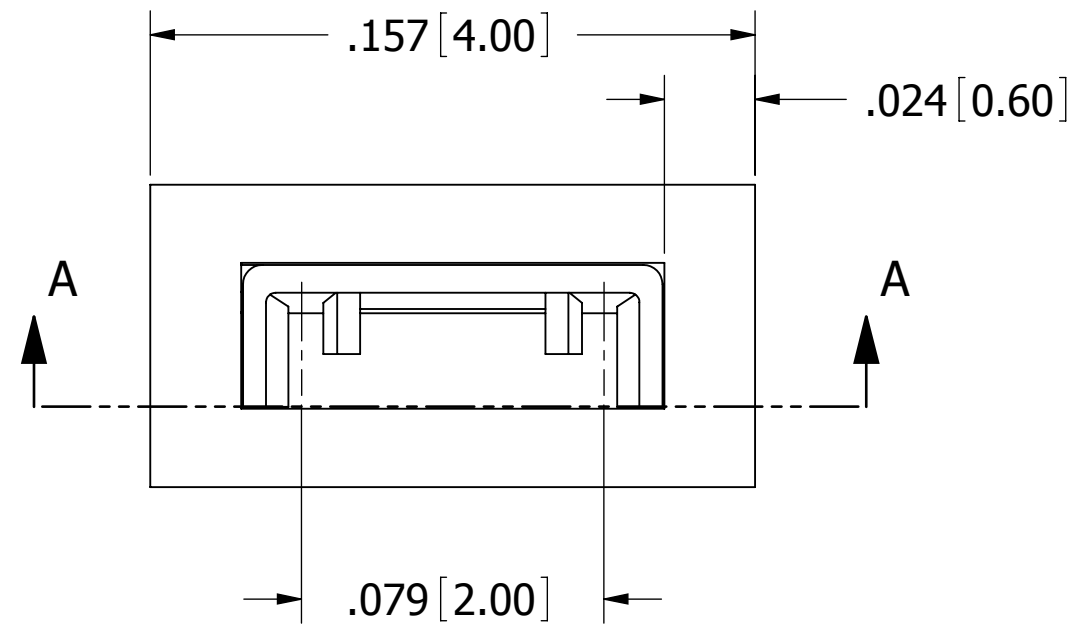
S_N02SYBN-RC

PLATING

P = GOLD FLASH, NICKEL UNDERPLATE OVERALL.

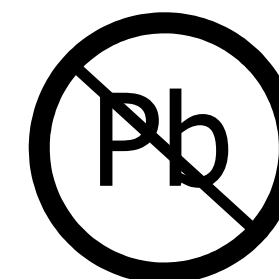
T = PURE TIN, COPPER UNDERPLATE OVERALL.

REVISIONS				
REV.	ECO. NO	DESCRIPTION	DATE	BY
B	946	UPDATE OPERATING TEMPERATURE	03/01/06	YH
C	1340	UPDATE OVERALL DIM HEIGHT	04/19/07	YH
D	1764	UPDATE FORMAT, TOLERANCE, DEFINE CONTACT AREA	07/23/08	ASK
E	1903	UPDATE TOLERANCE BLOCK, SPECIFICATION 20 MILLI OHMS WAS 20 MEGA OHMS	1/23/09	JH



NOTES:

- INSULATOR MATERIAL: PBT, BLACK
- CONTACT MATERIAL: PHOSPHOR BRONZE.
- PLATING: SEE PART NUMBER CODING.
- OPERATING TEMPERATURE: -55 °C TO +105 °C.
- OPERATING VOLTAGE: 250 VAC MAX.
- UL FLAMMABILITY RATING: 94V-0.
- DIELECTRIC WITHSTANDING VOLTAGE: 1000 VAC FOR 1 MINUTE.
- CURRENT RATING: 1 AMP PER CONTACT.
- CONTACT RESISTANCE: 20 MILLI OHMS MAX.
- INSULATION RESISTANCE: 5000 MEGA OHMS.



RoHS COMPLIANT

UNLESS OTHERWISE SPECIFIED:
 DIMENSIONS ARE IN INCHES[MM]
 TOLERANCES:
 ANGULAR: ± 30'
 .XX= ± .012 [.30]
 .XXX= ± .008 [.20]
 .XXXX= ± .004 [.10]

INTERPRET DIMENSIONS AND GEOMETRIC TOLERANCING PER: ANSI Y14.5M-1994

DRAWN	DATE	NAME	SULLINS CONNECTOR SOLUTIONS	
YH	10/21/05	YH	MINI SHUNT, OPEN TOP	
THE INFORMATION HEREIN CONTAINS PROPRIETARY INFORMATION OF SULLINS ELECTRONICS AND IS NOT TO BE REPRODUCED, USED OR DISCLOSED TO OTHERS FOR ANY PURPOSE EXCEPT AS SPECIFICALLY AUTHORIZED IN WRITING BY AN OFFICER OF SULLINS ELECTRONICS.			PART NUMBER S_N02SYBN-RC	
SIZE	DWG. NO.	REV		
C	10631	E		
SCALE: 32:1			SHEET 1 OF 1	