



Chipsmall Limited consists of a professional team with an average of over 10 year of expertise in the distribution of electronic components. Based in Hongkong, we have already established firm and mutual-benefit business relationships with customers from,Europe,America and south Asia,supplying obsolete and hard-to-find components to meet their specific needs.

With the principle of “Quality Parts,Customers Priority,Honest Operation,and Considerate Service”,our business mainly focus on the distribution of electronic components. Line cards we deal with include Microchip,ALPS,ROHM,Xilinx,Pulse,ON,Everlight and Freescale. Main products comprise IC,Modules,Potentiometer,IC Socket,Relay,Connector.Our parts cover such applications as commercial,industrial, and automotives areas.

We are looking forward to setting up business relationship with you and hope to provide you with the best service and solution. Let us make a better world for our industry!



## Contact us

Tel: +86-755-8981 8866 Fax: +86-755-8427 6832

Email & Skype: info@chipsmall.com Web: www.chipsmall.com

Address: A1208, Overseas Decoration Building, #122 Zhenhua RD., Futian, Shenzhen, China



## SPECIFICATION

<b>Part No:</b>	<b>STS.01.A.0115FB</b>
<b>Product Name:</b>	Spartan Iridium Transceiver Antenna System
<b>Features:</b>	High Performance outdoor antenna White Housing Cables and Connectors Customizable IP67 & IP69K Waterproof ISO16750 Automotive Reliability Tested 115mm Multi-Conductor Cable Stripped 37mm, Tin 8mm Dims: 145.6*147.5*33.35mm <b>RoHS Compliant</b>



## 1. Introduction

The Spartan STS.01 Iridium Transceiver consists of an advanced Taoglas Iridium certified patch antenna and Iridium 9602 transceiver with RS-232 interface, all enclosed in a robust, IP67 waterproof through-hole mount enclosure.

The Iridium satellite network offers truly global M2M service with the lowest latency in the industry — extending the value of intelligent data far beyond the 10% of the Earth serviced by terrestrial networks.

Get reliable connectivity for your devices as the Iridium global satellite constellation operates at full capacity even in circumstances when terrestrial networks may run into challenges

Certified by Iridium, the Spartan STS.01 supports short burst data with a maximum mobile originated message size of 340 bytes and a maximum mobile terminated message size of 270 bytes. There is no SIM card required.

Typical applications include

- International trucking and haulage
- Remote asset monitoring
- Maritime communications
- Mining, oil and gas infrastructure monitoring
- Emergency operations
- Business continuity

The product features major advancements in reliability over existing systems, delivering:

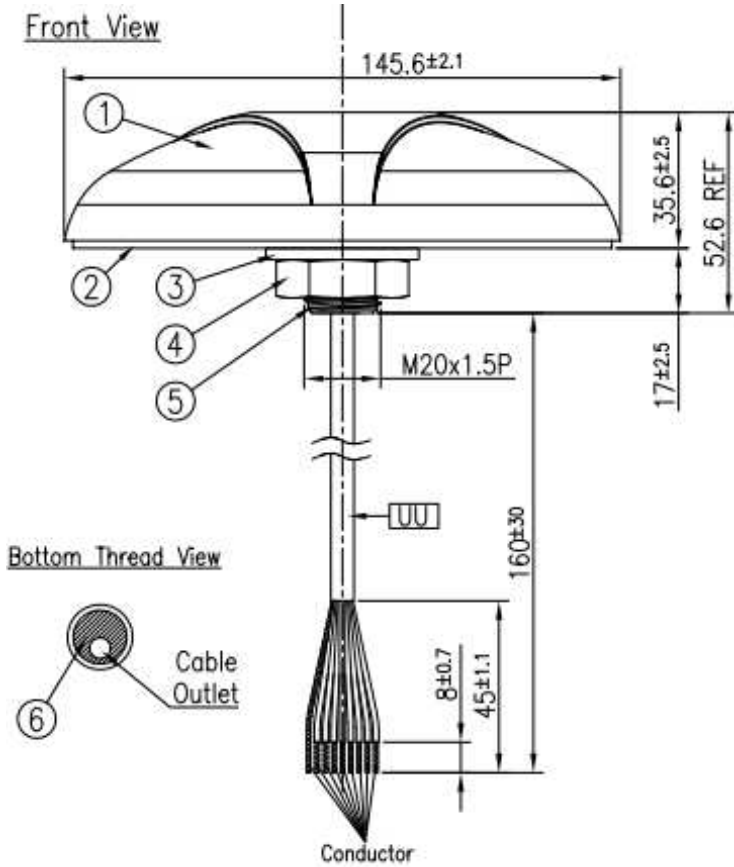
- One multi-conductor cable required.
- Quick and Simple Installation
- Higher radio performance (no RF coax losses)
- Low power consumption
- Full protection against load dump
- ISO16750 Automotive Reliability Tested

## 2. Features

SYSTEM FEATURES	
Integrated Iridium 9602 Transceiver	Integrated power regulation with 8-32V input voltage range
3-Wire RS-232 interface	Transient and reverse voltage protection
Enable signal line	Tamper detection
Network status line	Load Dump Protection with No User Intervention (Class C)
MECHANICAL	
Enclosure: White, toughened ABS-Polycarbonate Alloy UV stabilized	Cable and Connector may be customized
IP67 Waterproof, IP69K Pressure Washing Safe	Weight: 670g
Dimensions:	145mm x 145mm x 90mm
ENVIRONMENTAL RATINGS & CERTIFICATIONS	
Temperature: -40° to +85° C (operating) -40° to +85° C (storage)	Fully certified FCC, CE, IC, Iridium
Humidity: 95% R.H. @ 50° C non-condensing	Power: 8-32V Input Range
	12W peak consumption during transmit @ 12V
	1.5W average consumption during transmit @ 12V
	1.5W peak consumption during receive/idle @ 12V
	90 mW average consumption radio off mode @ 12V
Load Dump: ISO 16750-2 (12V and 24V system)	ESD: ISO 10605 Contact 15kV, Air 15kV
Supply Immunity: ISO 16750-2 ISO 7637-2 ISO 7637-3 (12V and 24V system)	



### 3. Drawing



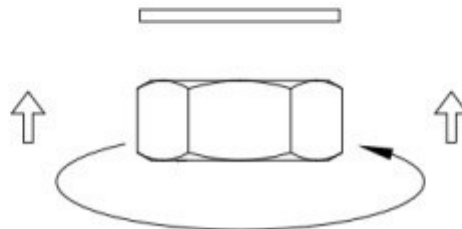
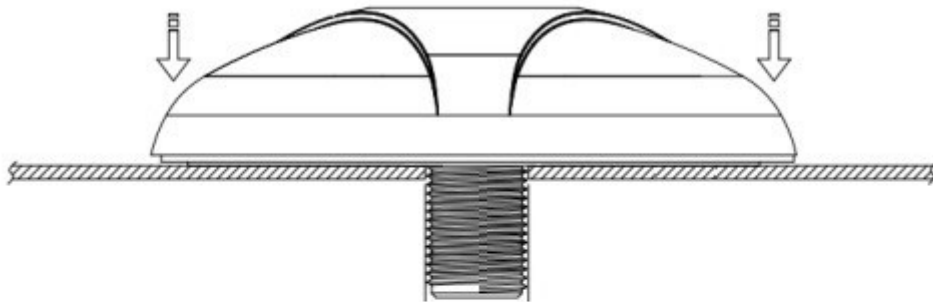
See table for  
Conductor  
detail

	Name	Material	Finish	QTY
1	Housing Spartan ST	PC + ABS	White	1
2	Closed Cell Foam	3M 9448+CR-4305	Black	1
3	Nut_M20x1.5Px10H Cut	Steel	Ni Plated	1
4	Washer Nut	Steel	Ni Plated	1
5	Metal Base ST	Zinc Alloy	Ni Plated	1
6	Cable Rubber	Silicone Rubber	Black	1
UU	Cable Type	Multi-Conductor	Black	1

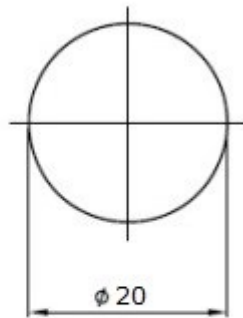
Conductor Color	Conductor Function
Red	Power Input (+8-32V)
Black	Power and Signal GND
Orange	On/Off Control (>1.4v Input to enable Iridium module)
Blue	Network Available (+3.3V Output)
Green	RX (Relative to Antenna Module)
Yellow	TX (Relative to Antenna Module)
Gray	Tamper Detect
White	Chassis Ground
Drain Wire	Internally connected to Chassis Ground



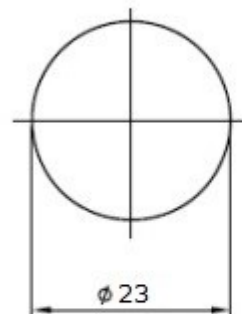
## 4. Installation



Recommended Torque for Mounting 29.4 N·m  
Maximum Torque for Mounting 39.2 N·m



**Thread  
Diameter**



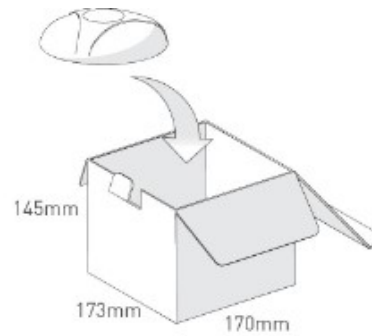
**Recommended  
Mounting Hole**

**Unit: mm**

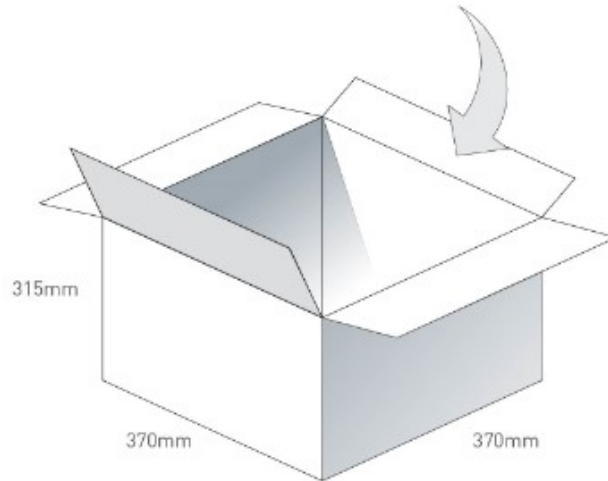


## 5. Packaging

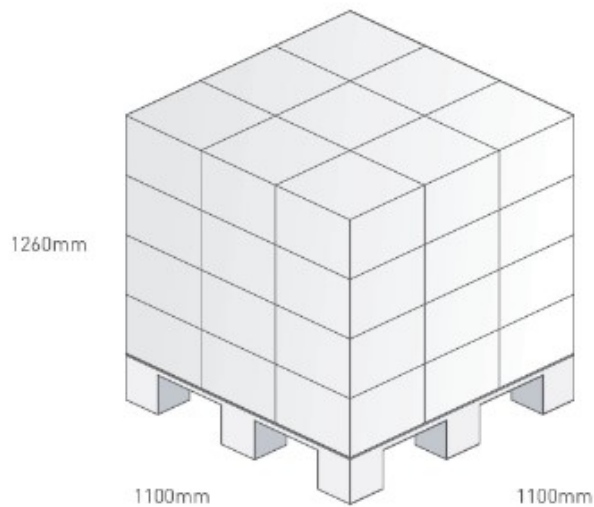
1pc STS.01.B.0115FB in PE bag per small box  
Box Dimensions - 173\*170\*145 mm  
Weight - 800g



8 small boxes in one carton  
Carton Dimensions - 370\*370\*315 mm  
Weight - 6.9Kg



Pallet Dimensions 1100\*1100\*1260mm  
36 Cartons per Pallet  
9 Cartons per layer  
4 Layers





Taoglas makes no warranties based on the accuracy or completeness of the contents of this document and reserves the right to make changes to specifications and product descriptions at any time without notice. Taoglas reserves all rights to this document and the information contained herein.

Reproduction, use or disclosure to third parties without express permission is strictly prohibited.

Copyright © Taoglas Ltd.