



Chipsmall Limited consists of a professional team with an average of over 10 year of expertise in the distribution of electronic components. Based in Hongkong, we have already established firm and mutual-benefit business relationships with customers from,Europe,America and south Asia,supplying obsolete and hard-to-find components to meet their specific needs.

With the principle of “Quality Parts,Customers Priority,Honest Operation,and Considerate Service”,our business mainly focus on the distribution of electronic components. Line cards we deal with include Microchip,ALPS,ROHM,Xilinx,Pulse,ON,Everlight and Freescale. Main products comprise IC,Modules,Potentiometer,IC Socket,Relay,Connector.Our parts cover such applications as commercial,industrial, and automotives areas.

We are looking forward to setting up business relationship with you and hope to provide you with the best service and solution. Let us make a better world for our industry!



Contact us

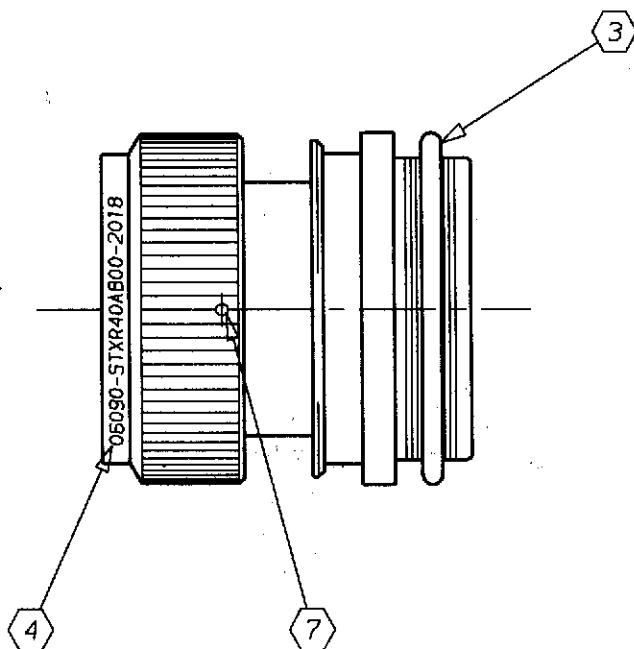
Tel: +86-755-8981 8866 Fax: +86-755-8427 6832

Email & Skype: info@chipsmall.com Web: www.chipsmall.com

Address: A1208, Overseas Decoration Building, #122 Zhenhua RD., Futian, Shenzhen, China



ISSUE	DESCRIPTION	DRAWN	DATE	APPR
A1	REVISED PER ECO-11-005139	RK	24MAR11	HMR



CODE 40 STXR TINEL-LOCK ADAPTORS

NOTES

1. THIS PRODUCT IS DESIGNED TO TERMINATE A BRAIDED CABLE SHIELD AND A HEAT SHRINKABLE LIPPED BOOT TO A CONNECTOR - SEE NOTE 6.
2. SEE SHEET 2 FOR TABLES OF DIMENSIONS, AND SHEET 3 FOR PART NUMBERING SYSTEM AND ORDERING INFORMATION.
- ③ SEE DRAWING TR FOR DETAIL ON TINEL-LOCK RING. RINGS ARE DESIGNED TO BE HEATED ELECTRICALLY. ALL RINGS ARE MARKED WITH THERMOCHROMIC PAINT WHICH CHANGES COLOUR WHEN INSTALLATION TEMPERATURE IS REACHED.
- ④ ADAPTOR TO BE PERMANENTLY MARKED WITH CODE IDENTIFICATION NUMBER AND PART NUMBER LESS RING DESIGNATOR. (e.g. 06090-STXR40AB00-2018). RING SHALL BEAR NO MARKING.
- ⑤ TINEL-LOCK RING ENTRY SIZE AND BRAID DESIGNATOR IS TO BE SPECIFIED IN PART NUMBER WHEN ORDERING.
- ⑥ ADAPTOR MATES TO: MIL-C-38999 SERIES III AND IV, CLASS C, F, K AND W, D38999/20, /24, /26, /40, /46 AND /47 CONNECTORS. WHEN SO MATED IT SHALL PROVIDE A WATER-TIGHT SEAL MEETING THE REQUIREMENTS OF MIL-C-85049, PARA 3.5.7.
- ⑦ ACCESSORY NUT HAS THREE LOCK-WIRE HOLES 120° APART.
8. FOR MODIFICATIONS OR ALTERNATIVE MATERIALS AND FINISHES NOT SHOWN CONTACT RAYCHEM.

SPECIFICATION CONTROL DRAWING



DO NOT SCALE
THIS DRAWING

TITLE
TINEL-LOCK ADAPTOR - "S" MOD.

DRAWN	IRT	DATE NOV 95
-------	-----	-------------

CHECKED	KJW	NOV 95
---------	-----	--------

APPROVED	KJW	NOV 95
----------	-----	--------

CODE IDENT NO	06090
---------------	-------

DRAWING NUMBER
STXR 40

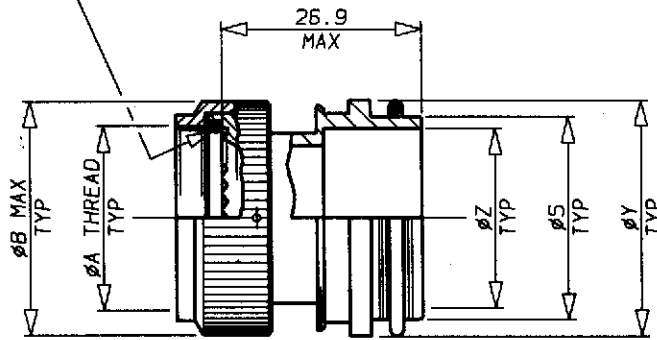
ISSUE
A1

SHEET 1 OF 3

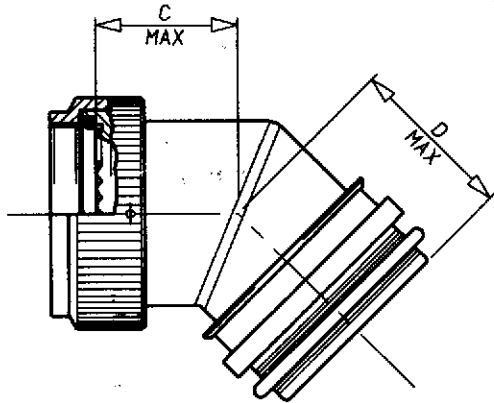
STXR40SCD-1

ISSUE	DESCRIPTION	DRAWN	DATE	APPR
A1	REVISED PER ECO-11-005139	RK	24MAR11	HMR

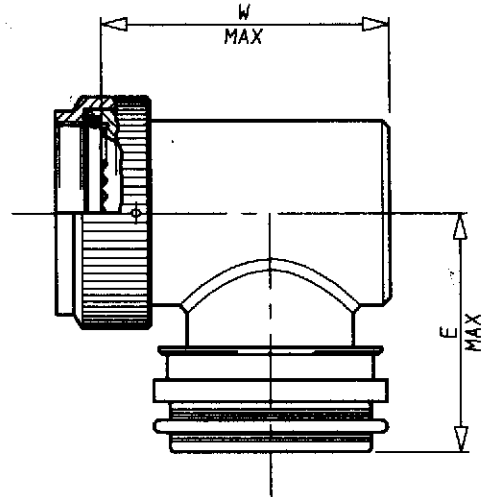
O RING - SILICONE TYP



STRAIGHT ADAPTOR



45° ADAPTOR



90° ADAPTOR

ORDER NUMBER	SHELL SIZE $\text{\textcircled{6}}$		ENTRY SIZE $\text{\textcircled{5}}$		ϕ A THREAD RH METRIC CLASS 6H	ϕ B MAX	C MAX	D MAX	E MAX
	COM	MIL	MIN	MAX					
08	9	A	05	24	M12 x 1.0	19.1	20.8	22.6	27.9
10	11	B	08	24	M15 x 1.0	21.6	21.3	23.4	30.5
12	13	C	09	24	M18 x 1.0	25.4	22.1	24.1	32.0
14	15	D	12	24	M22 x 1.0	29.2	22.6	24.1	34.0
16	17	E	14	24	M25 x 1.0	31.8	23.4	24.9	35.5
18	19	F	16	24	M28 x 1.0	35.6	24.1	25.7	36.8
20	21	G	18	24	M31 x 1.0	38.1	24.6	26.4	38.4
22	23	H	20	24	M34 x 1.0	41.9	25.1	27.2	39.9
24	25	J	22	24	M37 x 1.0	44.5	25.9	27.2	42.4

ENTRY SIZE	ϕ Z +0.25 -0.50	ϕ S	ϕ Y ± 0.38	W MAX
06	9.52	12.57/12.73	17.14	34.3
07	11.09	14.12/14.31	18.71	36.1
08	12.70	15.72/15.91	20.32	37.6
10	15.87	18.84/19.11	23.49	40.6
12	19.05	22.02/22.28	26.67	43.9
14	22.23	25.17/25.46	29.84	47.0
16	25.40	28.34/28.63	33.02	50.8
18	28.57	31.52/31.81	36.19	54.1
20	31.75	34.69/34.98	39.37	57.2
22	34.93	37.79/38.15	42.55	57.2
24	38.10	40.97/41.33	45.72	57.2

SPECIFICATION CONTROL DRAWING



TE Connectivity

DO NOT SCALE THIS DRAWING

TITLE

TINEL-LOCK ADAPTOR - "S" MOD.

DRAWN	IRT	DATE NOV 95
CHECKED	KJW	NOV 95
APPROVED	KJW	NOV 95
CODE IDENT NO	06090	

DRAWING NUMBER
STXR 40

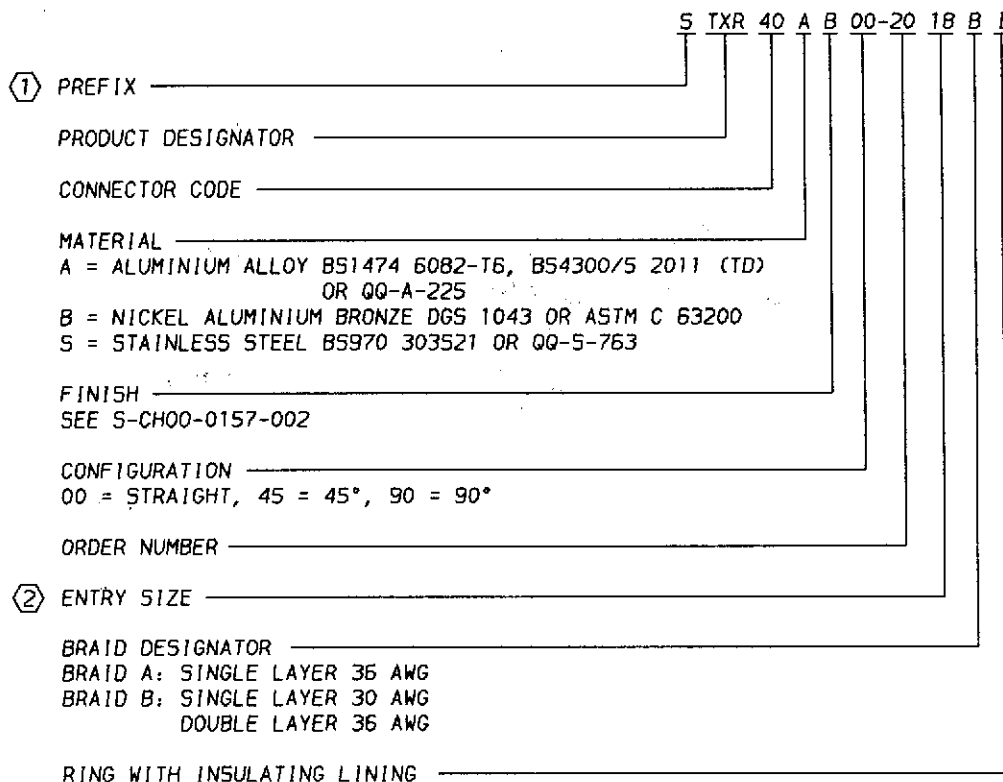
ISSUE
A1

SHEET 2 OF 3

STXR40SCD-2

ISSUE	DESCRIPTION	DRAWN	DATE	APPR
A1	REVISED PER ECO-11-005139	RK	24MAR11	HMR

PART NUMBERING SYSTEM



NOTE

- ① PREFIX S DENOTES THAT THE ADAPTOR HAS A LARGER ENTRY SIZE THAN THE STANDARD TXR RANGE BUT IS STILL OF THE TYPE I DESIGN.
- ② SEE SHEET 2 FOR TABLE OF ENTRY SIZES APPLICABLE TO THE STXR RANGE.

SPECIFICATION CONTROL DRAWING



DO NOT SCALE
THIS DRAWING

TITLE
TINEL-LOCK ADAPTOR - "S" MOD.

DRAWN	IRT	DATE NOV 95
CHECKED	KJW	NOV 95
APPROVED	KJW	NOV 95
CODE IDENT NO	06090	

DRAWING NUMBER
STXR 40

ISSUE
A1