



Chipsmall Limited consists of a professional team with an average of over 10 year of expertise in the distribution of electronic components. Based in Hongkong, we have already established firm and mutual-benefit business relationships with customers from,Europe,America and south Asia,supplying obsolete and hard-to-find components to meet their specific needs.

With the principle of “Quality Parts,Customers Priority,Honest Operation,and Considerate Service”,our business mainly focus on the distribution of electronic components. Line cards we deal with include Microchip,ALPS,ROHM,Xilinx,Pulse,ON,Everlight and Freescale. Main products comprise IC,Modules,Potentiometer,IC Socket,Relay,Connector.Our parts cover such applications as commercial,industrial, and automotives areas.

We are looking forward to setting up business relationship with you and hope to provide you with the best service and solution. Let us make a better world for our industry!



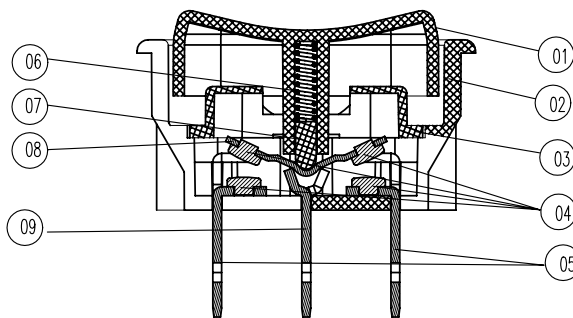
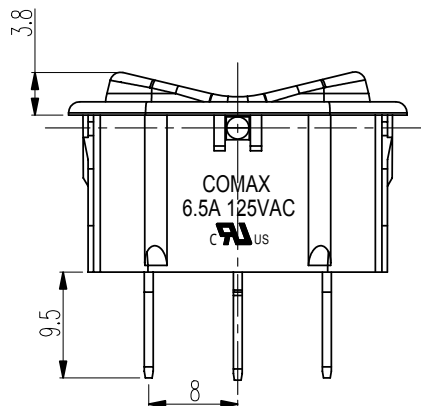
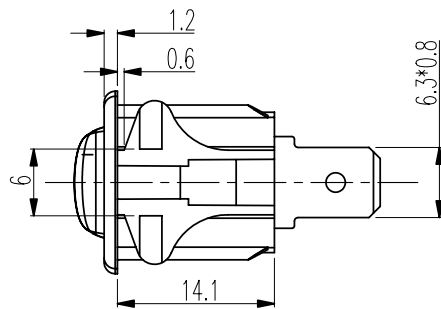
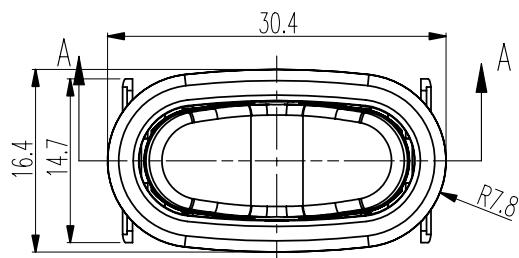
Contact us

Tel: +86-755-8981 8866 Fax: +86-755-8427 6832

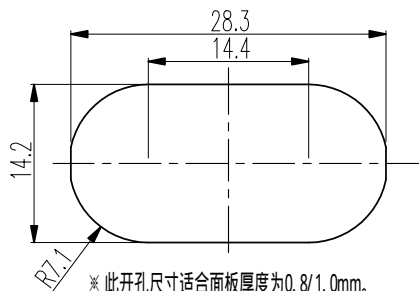
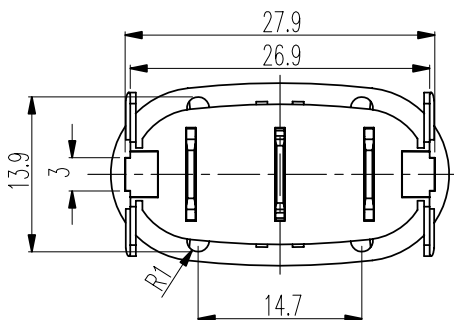
Email & Skype: info@chipsmall.com Web: www.chipsmall.com

Address: A1208, Overseas Decoration Building, #122 Zhenhua RD., Futian, Shenzhen, China



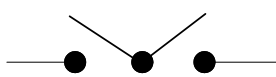


SECTION A-A



※ 此开孔尺寸适合面板厚度为0.8/1.0mm.
Recommended hole size 0.8/1.0mm panel assembly.

安装孔 PIERCING PLAN



SPDT
ON-OFF-ON
电路示意图 Circuit

适用范围 Application areas :

| 编号 | 零件型号 | 颜色 |
|----|------------------|---------|
| 1. | SW-13A65N-A01 | White |
| 2. | SW-13A65N-A01 BK | Black C |
| 3. | SW-13A65N-A01 BI | Biscuit |
| 4. | SW-13A65N-A01 AK | Almond |

规格 Specifications

| | |
|-----------------------------------|-------------------------------------|
| 额定负荷 Ratings | 6.5A 125 VAC |
| 初期接触电阻 Initial Contact Resistance | 100 mΩ Max. |
| 绝缘电阻 Insulation Resistance | DC500_V 60±5 Sec. 100_MΩ Min. |
| 抗电强度 Dielectric Voltage | AC1000_V(50~60HZ) 60±5 Sec. |
| 操作力 Operating Force | ON→OFF 250±100 gf OFF→ON 700±250 gf |
| 负荷寿命 Operating Life With Load | 6,000 次 Cycles |

| 序NO. | 零件 PART | 材料 MATERIAL | 数量 QTY | 备注 REMARKS |
|------|----------------------|-------------|--------|------------|
| 09 | 中间端子 MIDDLE TERMINAL | C2680R | 1 | Ag PLATED |
| 08 | 接触片 CONTACT PLATE | C2680R | 1 | Ag PLATED |
| 07 | 滑块 SLIDER | PA | 1 | BLACK C |
| 06 | 弹簧 SPRING | SUS | 1 | NATURAL |
| 05 | 侧端子 SIDE TERMINAL | C2680R | 2 | Ag PLATED |
| 04 | 银接点 Ag CONTACT | AgNi10/Cu | 4 | NATURAL |
| 03 | 胶盖 COVER | PA | 1 | BLACK C |
| 02 | 胶壳 HOUSING | PA | 1 | |
| 01 | 胶柄 KNOB | PA | 1 | |

| 标号 REV | 内容 DESCRIPTION | 签名 SIGN. | 日期 DATE |
|------------------|----------------|----------|---------|
| | | | |
| DWG NO. ITEM3013 | | | |

| TOLERANCES UNLESS OTHERWISE SPEC. | | TITLE | ROCKER SWITCHES | | ITEM NO | SW-13A65N-A01 | | |
|-----------------------------------|--------|----------|-----------------|------------|------------|---------------|--------|------|
| UNDER 1 | ± 0.10 | DRAWN | 廖铁军 | 2010-11-26 | VERSION | A01 | PAGE 1 | OF 1 |
| 1 - 10 | ± 0.30 | REVIEWED | 方勇 | 2010-11-26 | SCALE | | UNIT | mm |
| OVER 10 | ± 0.50 | APPROVED | 马建和 | 2010-11-26 | PROJECTION | | | |



高铭电子(惠州)有限公司
Comax Electronics(Huizhou)Co.,Ltd.