



Chipsmall Limited consists of a professional team with an average of over 10 year of expertise in the distribution of electronic components. Based in Hongkong, we have already established firm and mutual-benefit business relationships with customers from,Europe,America and south Asia,supplying obsolete and hard-to-find components to meet their specific needs.

With the principle of “Quality Parts,Customers Priority,Honest Operation,and Considerate Service”,our business mainly focus on the distribution of electronic components. Line cards we deal with include Microchip,ALPS,ROHM,Xilinx,Pulse,ON,Everlight and Freescale. Main products comprise IC,Modules,Potentiometer,IC Socket,Relay,Connector.Our parts cover such applications as commercial,industrial, and automotives areas.

We are looking forward to setting up business relationship with you and hope to provide you with the best service and solution. Let us make a better world for our industry!



## Contact us

Tel: +86-755-8981 8866 Fax: +86-755-8427 6832

Email & Skype: info@chipsmall.com Web: www.chipsmall.com

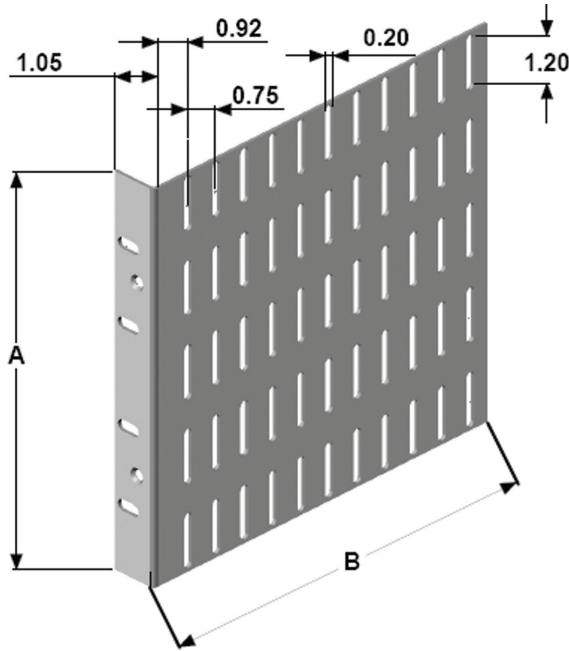
Address: A1208, Overseas Decoration Building, #122 Zhenhua RD., Futian, Shenzhen, China



# EIA -Based VectorPak™ Subrack Systems



## Rack Accessories



### “P” Type Side Panel

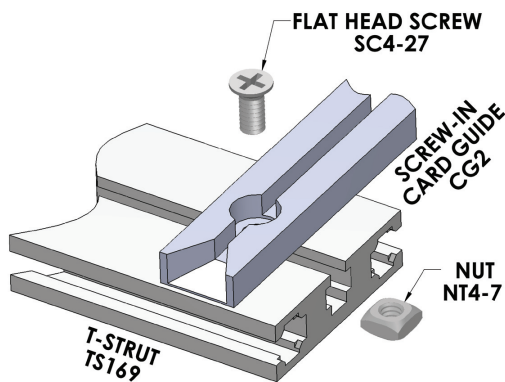
Material: 0.080" aluminum with clear irridite finish

Part No.	Overall Height A	Depth B	Vector Handle	Accepts Max Card Height	Rack Units (H)
SW52P89/90	5.23"	9.0"	HA12	4.5"	3U
SW52P119/90	5.23"	12.0"	HA12	4.5"	3U
SW52P156/90	5.23"	15.75"	HA12	4.5"	3U
SW69P119/90	6.98"	12.0"	HA13	6.25"	4U
SW69P156/90	6.98"	15.75"	HA13	6.25"	4U
SW87P119/90	8.73"	12.0"	HA12	8.0"	5U
SW87P156/90	8.73"	15.75"	HA12	8.0"	5U
SW104P156/90	10.47"	15.75"	HA12	9.75"	6U
SW122P156/90	11.975"	15.75"	HA12	11.5"	7U
SW122P202/90	11.975"	20.25"	HA12	17.5"	7U

### T-Struts Part Mounting Hardware

Metal or plastic screw down card guides attach with SC4-27/25 flat head screw and NT4-7PA square nut. Square nuts slide into T-strut slots and anchor 4-40 screws for mounting parts. Supplied in quantities of 25 ea.

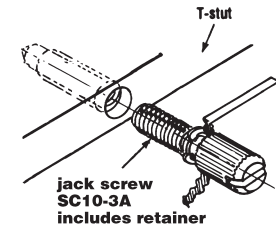
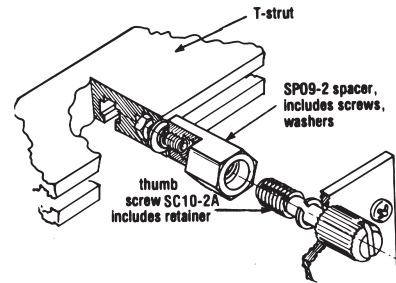
#### PLASTIC/METAL SCREW-IN GUIDE



Part No.	Description	Size	Pkg Qty
NT4-7PA	Square nut	4-40	25
SC4-27/25	100° flat head screw	4-40 X 1/4"	25

### Modules or Front Panel Mounting Hardware

SC 10-2A Thumb screws and SC10-3A jack screws (supplied with EFP modules, Cardmount modules and front assemblies to T-struts. SP09-2 spacers are used as standoffs for mounting modules to 1" T-struts (1.79" struts are standard with module subracks.)



Part No.	Description	Pkg Qty
BR64#	Right angle bracket and two mounting screws	1
SP09-2	Hex spacer for module mounting, includes hardware	12
SC10-2A	Thumb screw fully threaded for direct attachment of panels	12
SC10-3A	Jack screw for mounting modules to T-struts with jacking action	12
HD34	Connector mounting hardware, includes SC4-28 screws, NT4-2# nuts and lockwashers	42ea.
HD52	4-40 nut for connector mounting	42ea.
SC4-28	4-40 hex head screws, 3/4" long, Lock washer	24
	4-40 hex head screw, 1/2" long for connector mounting	

EIA Subracks

