



Chipsmall Limited consists of a professional team with an average of over 10 year of expertise in the distribution of electronic components. Based in Hongkong, we have already established firm and mutual-benefit business relationships with customers from,Europe,America and south Asia,supplying obsolete and hard-to-find components to meet their specific needs.

With the principle of "Quality Parts,Customers Priority,Honest Operation,and Considerate Service",our business mainly focus on the distribution of electronic components. Line cards we deal with include Microchip,ALPS,ROHM,Xilinx,Pulse,ON,Everlight and Freescale. Main products comprise IC,Modules,Potentiometer,IC Socket,Relay,Connector.Our parts cover such applications as commercial,industrial, and automotives areas.

We are looking forward to setting up business relationship with you and hope to provide you with the best service and solution. Let us make a better world for our industry!



Contact us

Tel: +86-755-8981 8866 Fax: +86-755-8427 6832

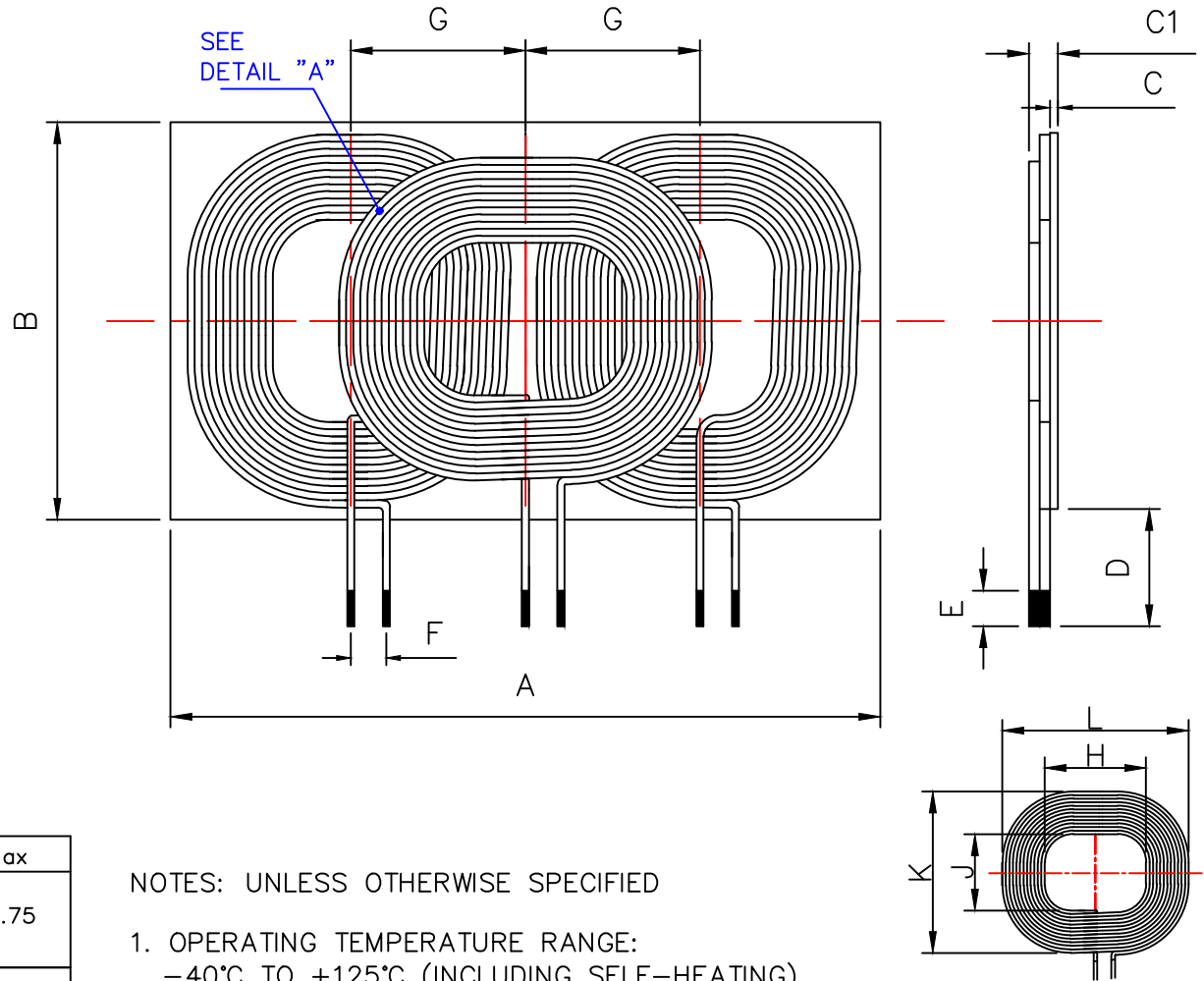
Email & Skype: info@chipsmall.com Web: www.chipsmall.com

Address: A1208, Overseas Decoration Building, #122 Zhenhua RD., Futian, Shenzhen, China



PHYSICAL DIMENSIONS:

A	100.00	±	1.50
B	56.00	±	0.80
C	1.10	±	0.10
C1	4.50		Max.
D	15.00		Min.
E	5.00	±	2.00
F	5.00		Ref.
G	24.60		Ref.
H	27.50	±	0.50
J	19.50	±	0.50
K	45.20	±	1.00
L	53.20	±	1.00



ELECTRICAL SPECIFICATION @ 25°C

	Min	Nom	Max
INDUCTANCE (uH) (BOTTOM COIL) L @ 150KHz/1V ±10%	11.25	12.50	13.75
INDUCTANCE (uH) (TOP COIL) L @ 150KHz/1V ±10%	10.35	11.50	12.65
DCR (mΩ)			65
Q	90		

NOTES: UNLESS OTHERWISE SPECIFIED

1. OPERATING TEMPERATURE RANGE:
-40°C TO +125°C (INCLUDING SELF-HEATING).
2. STORAGE TEMPERATURE RANGE (PACKAGING CONDITIONS) : **DETAIL "A"**
-10°C TO +40°C AND RH 70% (MAX.)
3. COIL: USTC LITZ WIRE 0.08X105 STRANDS, 12Ts.

UNCONTROLLED DOCUMENT

RoHS

DIMENSIONS ARE IN .				This print is the property of Laird Tech. and is loaned in confidence subject to return upon request and with the understanding that no copies shall be made without the written consent of Laird Tech. All rights to design or invention are reserved.		Laird	
				PROJECT/PART NUMBER:	REV	PART TYPE:	DRAWN BY:
				SWC10056AA120-500	B		QIU
B	CHANGE COIL DIMENSIONS	11/19/14	QIU	DATE:	04/29/14	SCALE:	1 : 1
A	ORIGINAL DRAFT	04/29/14	QIU	CAD #	SWC10056AA120-500-B	TOOL #	
REV	DESCRIPTION	DATE	INT				