



Chipsmall Limited consists of a professional team with an average of over 10 year of expertise in the distribution of electronic components. Based in Hongkong, we have already established firm and mutual-benefit business relationships with customers from,Europe,America and south Asia,supplying obsolete and hard-to-find components to meet their specific needs.

With the principle of “Quality Parts,Customers Priority,Honest Operation,and Considerate Service”,our business mainly focus on the distribution of electronic components. Line cards we deal with include Microchip,ALPS,ROHM,Xilinx,Pulse,ON,Everlight and Freescale. Main products comprise IC,Modules,Potentiometer,IC Socket,Relay,Connector.Our parts cover such applications as commercial,industrial, and automotives areas.

We are looking forward to setting up business relationship with you and hope to provide you with the best service and solution. Let us make a better world for our industry!



Contact us

Tel: +86-755-8981 8866 Fax: +86-755-8427 6832

Email & Skype: info@chipsmall.com Web: www.chipsmall.com

Address: A1208, Overseas Decoration Building, #122 Zhenhua RD., Futian, Shenzhen, China

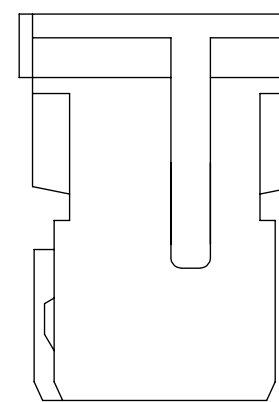
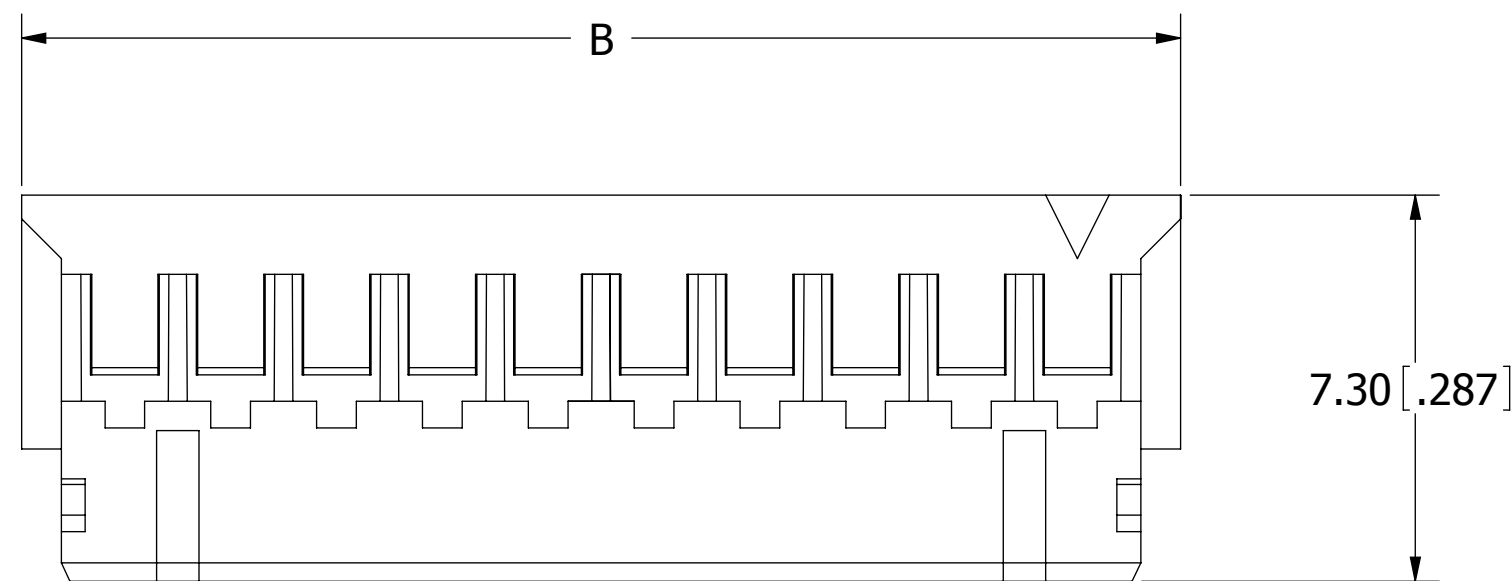
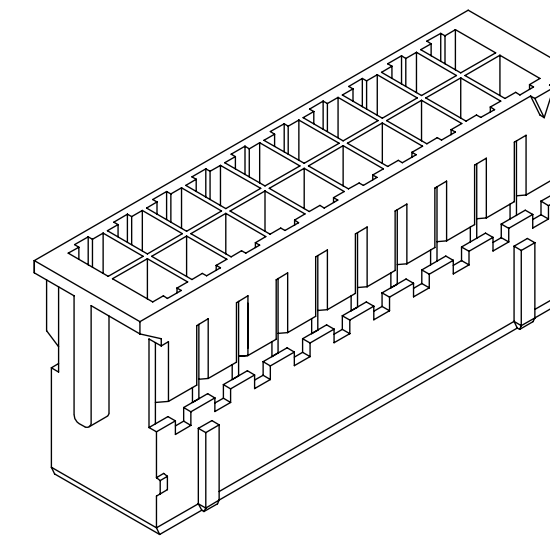
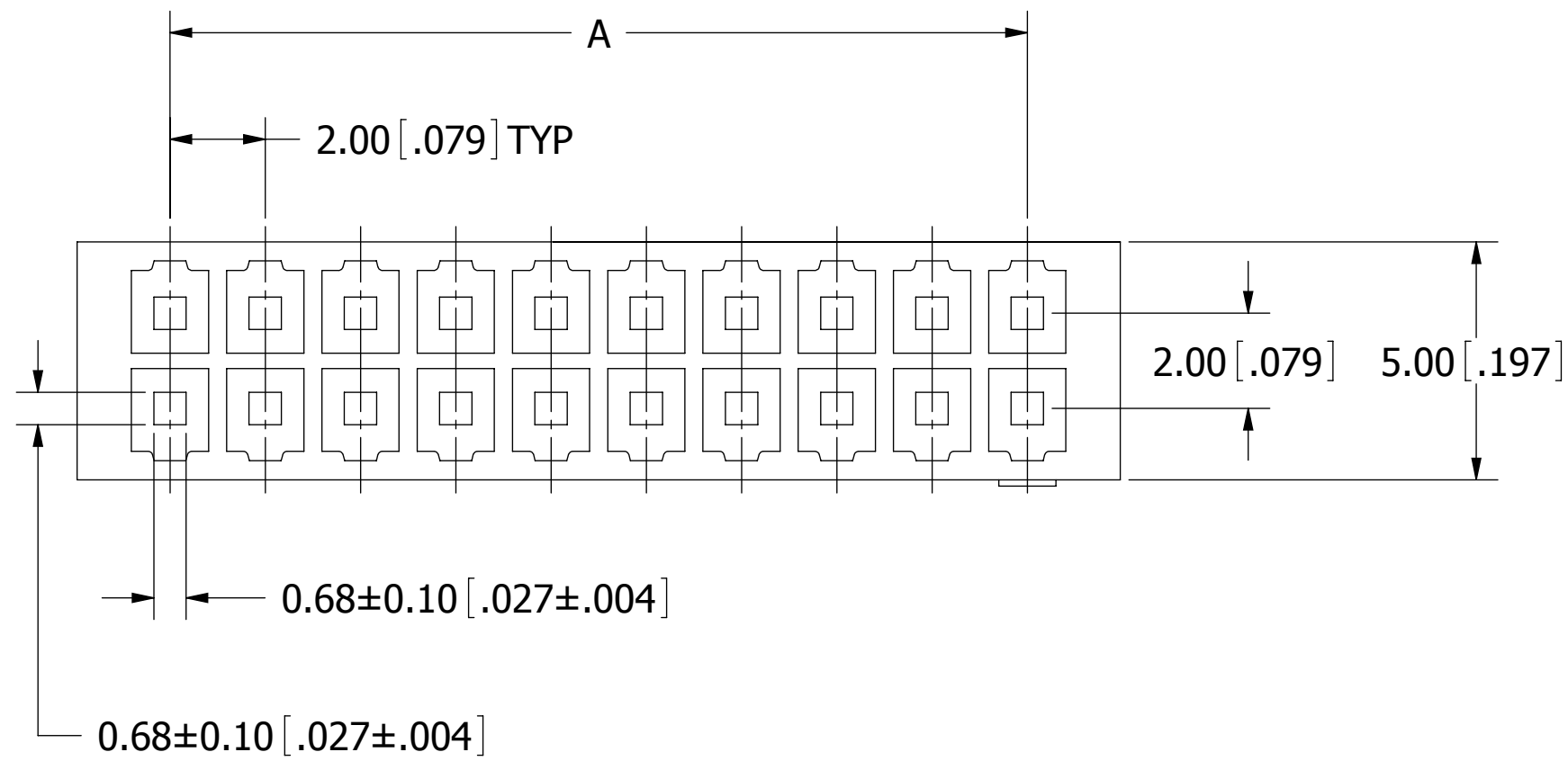


PART NUMBER CODING

SWH204-NULN-D__-UU-WH

NUMBER OF POSITIONS
(CONTACTS PER ROW)

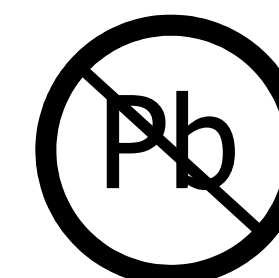
REVISIONS				
REV.	ECO. NO	DESCRIPTION	DATE	BY
A	2236	INITIAL RELEASE	05/24/2011	LH



Part Number	Positions/ Contacts	A		B	
		MM	INCH	MM	INCH
SWH204-NULN-D02-UU-WH	02/04	2.00	0.079	5.90	0.232
SWH204-NULN-D03-UU-WH	03/06	4.00	0.157	7.90	0.311
SWH204-NULN-D04-UU-WH	04/08	6.00	0.236	9.90	0.390
SWH204-NULN-D05-UU-WH	05/10	8.00	0.315	11.90	0.469
SWH204-NULN-D06-UU-WH	06/12	10.00	0.394	13.90	0.547
SWH204-NULN-D07-UU-WH	07/14	12.00	0.472	15.90	0.626
SWH204-NULN-D08-UU-WH	08/16	14.00	0.551	17.90	0.705
SWH204-NULN-D09-UU-WH	09/18	16.00	0.630	19.90	0.783
SWH204-NULN-D10-UU-WH	10/20	18.00	0.709	21.90	0.862
SWH204-NULN-D11-UU-WH	11/22	20.00	0.787	23.90	0.941
SWH204-NULN-D12-UU-WH	12/24	22.00	0.866	25.90	1.020
SWH204-NULN-D13-UU-WH	13/26	24.00	0.945	27.90	1.098
SWH204-NULN-D14-UU-WH	14/28	26.00	1.024	29.90	1.177
SWH204-NULN-D15-UU-WH	15/30	28.00	1.102	31.90	1.256
SWH204-NULN-D16-UU-WH	16/32	30.00	1.181	33.90	1.335
SWH204-NULN-D17-UU-WH	17/34	32.00	1.260	35.90	1.413
SWH204-NULN-D20-UU-WH	20/40	38.00	1.496	41.90	1.650

NOTES:

- SUITABLE FOR SWT204 SERIES TERMINAL.
- INSULATOR MATERIAL: NYLON 66, UL94V-0, COLOR: WHITE.
- CURRENT RATING: 3 AMPS PER CONTACT.
- VOLTAGE RATING: 50V AC/DC.
- INSULATOR RESISTANCE: 1000 MEGOHMS MIN.
- CONTACT RESISTANCE: 10 MILLIOHMS MAX.
- DIELECTRIC WITHSTANDING VOLTAGE: 800V AC.
- OPERATING TEMPERATURE: -25° C TO +85° C.
- MATES WITH SWR204 SERIES DUAL ROW WAFER.



RoHS COMPLIANT

UNLESS OTHERWISE SPECIFIED: DIMENSIONS ARE IN MM[INCHES]	DRAWN	DATE	NAME	
		05/24/2011	LH	
TOLERANCES: ANGULAR: .X= ± 0.3 [.01] .XX= ± 0.30 [.012]	<small>THE INFORMATION HEREIN CONTAINS PROPRIETARY INFORMATION OF SULLINS ELECTRONICS AND IS NOT TO BE REPRODUCED, USED OR DISCLOSED TO OTHERS FOR ANY PURPOSE EXCEPT AS SPECIFICALLY AUTHORIZED IN WRITING BY AN OFFICER OF SULLINS ELECTRONICS.</small>			
	TITLE HOUSING 2.0mm[.079"] CC, DUAL ROW PART NUMBER SWH204-NULN-D__-UU-WH			
INTERPRET DIMENSIONS AND TOLERANCING PER: ASME Y14.5M-2009	SIZE	CAGE CODE	DWG. NO.	REV
	C	54453	11628	A
SCALE: 7:1			SHEET 1 OF 1	