



Chipsmall Limited consists of a professional team with an average of over 10 year of expertise in the distribution of electronic components. Based in Hongkong, we have already established firm and mutual-benefit business relationships with customers from,Europe,America and south Asia,supplying obsolete and hard-to-find components to meet their specific needs.

With the principle of “Quality Parts,Customers Priority,Honest Operation,and Considerate Service”,our business mainly focus on the distribution of electronic components. Line cards we deal with include Microchip,ALPS,ROHM,Xilinx,Pulse,ON,Everlight and Freescale. Main products comprise IC,Modules,Potentiometer,IC Socket,Relay,Connector.Our parts cover such applications as commercial,industrial, and automotives areas.

We are looking forward to setting up business relationship with you and hope to provide you with the best service and solution. Let us make a better world for our industry!



## Contact us

Tel: +86-755-8981 8866 Fax: +86-755-8427 6832

Email & Skype: info@chipsmall.com Web: www.chipsmall.com

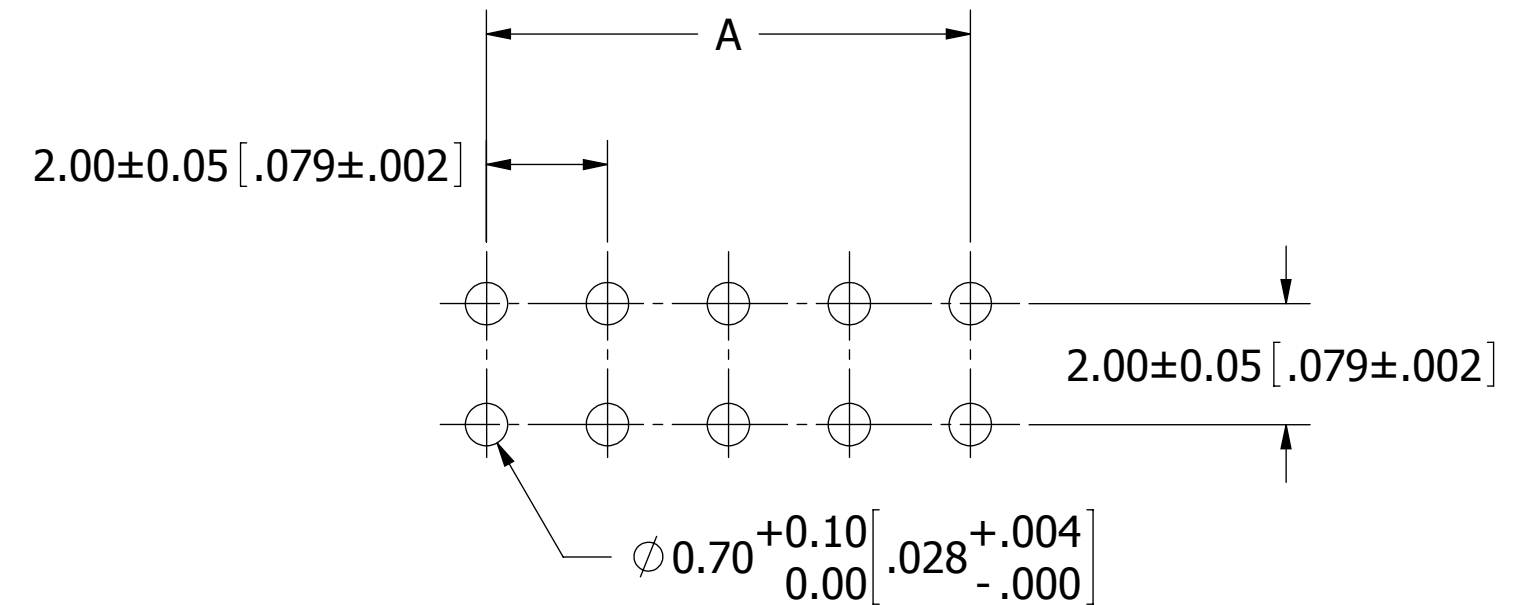
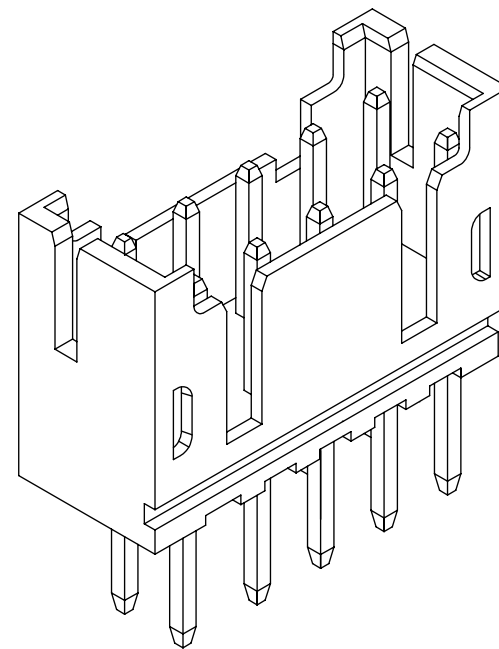
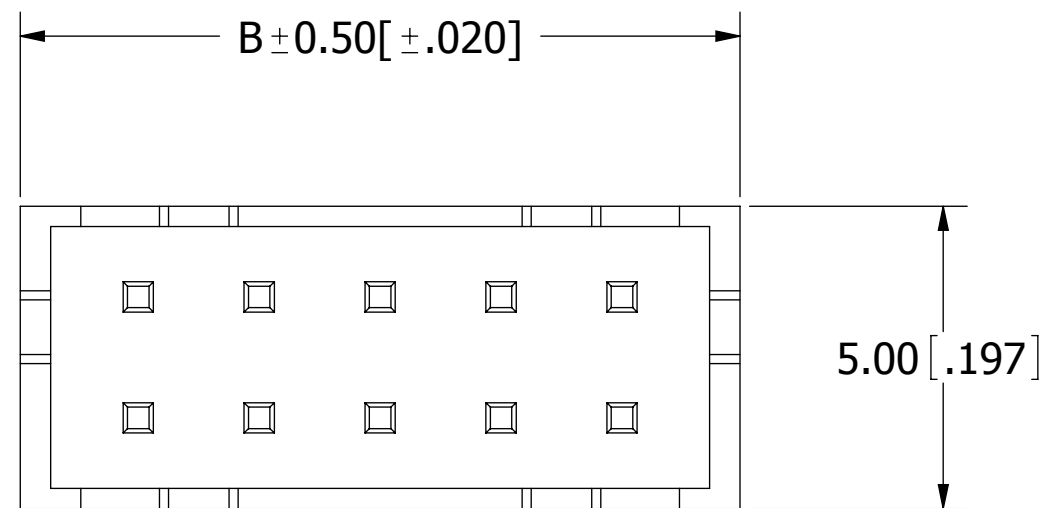
Address: A1208, Overseas Decoration Building, #122 Zhenhua RD., Futian, Shenzhen, China



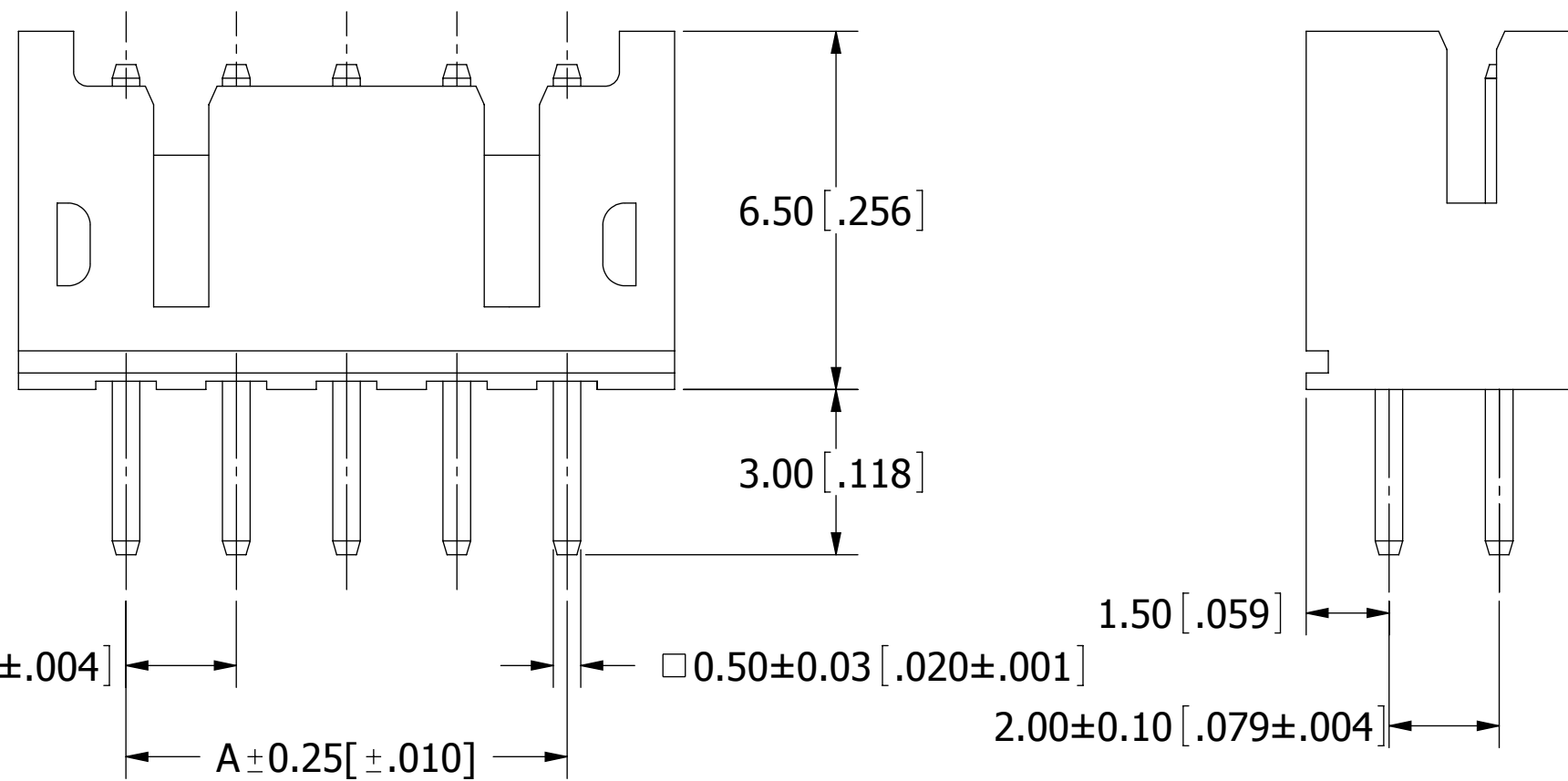
# PART NUMBER CODING

## SWR204-NRTN-D\_\_-ST-GA

**NUMBER OF POSITIONS**  
(CONTACTS PER ROW)



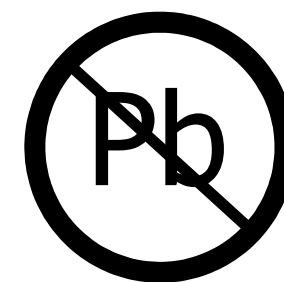
**RECOMMENDED PCB LAYOUT**  
P.C. BOARD THICKNESS: 1.6mm [.063"]



Part Number	Positions/ Contacts	A		B	
		MM	INCH	MM	INCH
SWR204-NRTN-D02-ST-GA	02/04	2.00	0.079	5.90	0.232
SWR204-NRTN-D03-ST-GA	03/06	4.00	0.157	7.90	0.311
SWR204-NRTN-D04-ST-GA	04/08	6.00	0.236	9.90	0.390
SWR204-NRTN-D05-ST-GA	05/10	8.00	0.315	11.90	0.469
SWR204-NRTN-D06-ST-GA	06/12	10.00	0.394	13.90	0.547
SWR204-NRTN-D07-ST-GA	07/14	12.00	0.472	15.90	0.626
SWR204-NRTN-D08-ST-GA	08/16	14.00	0.551	17.90	0.705
SWR204-NRTN-D09-ST-GA	09/18	16.00	0.630	19.90	0.783
SWR204-NRTN-D10-ST-GA	10/20	18.00	0.709	21.90	0.862
SWR204-NRTN-D11-ST-GA	11/22	20.00	0.787	23.90	0.941
SWR204-NRTN-D12-ST-GA	12/24	22.00	0.866	25.90	1.020
SWR204-NRTN-D13-ST-GA	13/26	24.00	0.945	27.90	1.098
SWR204-NRTN-D14-ST-GA	14/28	26.00	1.024	29.90	1.177
SWR204-NRTN-D15-ST-GA	15/30	28.00	1.102	31.90	1.256
SWR204-NRTN-D16-ST-GA	16/32	30.00	1.181	33.90	1.335
SWR204-NRTN-D17-ST-GA	17/34	32.00	1.260	35.90	1.413
SWR204-NRTN-D20-ST-GA	20/40	38.00	1.496	41.90	1.650

### NOTES:

- INSULATOR MATERIAL: NYLON 66, UL94V-0, COLOR: NATURAL.
- CONTACT MATERIAL: BRASS.
- CONTACT PLATING: .000020" MIN. NICKEL UNDERPLATE, PURE TIN, BRIGHT OVERALL.
- CURRENT RATING: 3 AMPS
- VOLTAGE RATING: 50V AC/DC.
- INSULATOR RESISTANCE: 1000 MEGOHMS MIN.
- CONTACT RESISTANCE: 10 MILLIOHMS MAX.
- DIELECTRIC WITHSTANDING VOLTAGE: 800V AC.
- OPERATING TEMPERATURE: -25° C TO +85° C.
- MATES WITH SWH204 SERIES DUAL ROW HOUSING.



**RoHS COMPLIANT**

UNLESS OTHERWISE SPECIFIED: DIMENSIONS ARE IN MM[INCHES]	DRAWN	DATE	NAME	
		05/25/2011	LH	
TOLERANCES: ANGULAR: .X= ± 0.3 [.01] .XX= ± 0.30 [.012]	<small>THE INFORMATION HEREIN CONTAINS PROPRIETARY INFORMATION OF SULLINS ELECTRONICS AND IS NOT TO BE REPRODUCED, USED OR DISCLOSED TO OTHERS FOR ANY PURPOSE EXCEPT AS SPECIFICALLY AUTHORIZED IN WRITING BY AN OFFICER OF SULLINS ELECTRONICS.</small>			TITLE
	INTERPRET DIMENSIONS AND TOLERANCING PER: ASME Y14.5M-2009			WAFER 2.0mm [.079"] CC, DUAL ROW, ST PART NUMBER SWR204-NRTN-D__-ST-GA
	SIZE	CAGE CODE	DWG. NO.	REV
	C	54453	11629	C
	SCALE: 8:1		SHEET 1 OF 1	