



Chipsmall Limited consists of a professional team with an average of over 10 year of expertise in the distribution of electronic components. Based in Hongkong, we have already established firm and mutual-benefit business relationships with customers from,Europe,America and south Asia,supplying obsolete and hard-to-find components to meet their specific needs.

With the principle of “Quality Parts,Customers Priority,Honest Operation,and Considerate Service”,our business mainly focus on the distribution of electronic components. Line cards we deal with include Microchip,ALPS,ROHM,Xilinx,Pulse,ON,Everlight and Freescale. Main products comprise IC,Modules,Potentiometer,IC Socket,Relay,Connector.Our parts cover such applications as commercial,industrial, and automotives areas.

We are looking forward to setting up business relationship with you and hope to provide you with the best service and solution. Let us make a better world for our industry!



Contact us

Tel: +86-755-8981 8866 Fax: +86-755-8427 6832

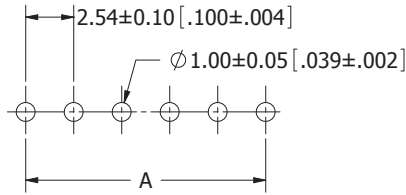
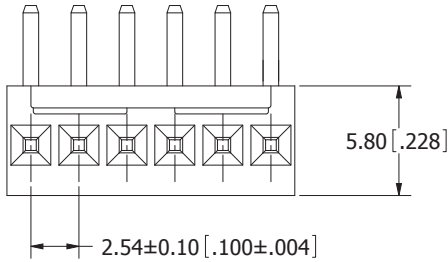
Email & Skype: info@chipsmall.com Web: www.chipsmall.com

Address: A1208, Overseas Decoration Building, #122 Zhenhua RD., Futian, Shenzhen, China

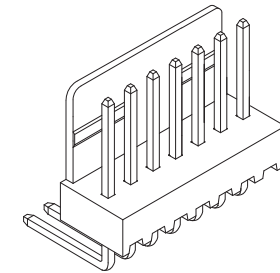
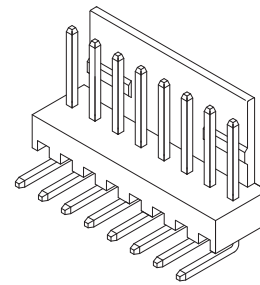


PART NUMBER CODING
SWR25X-NRTC-S__-R_-BA

TERMINATION TYPE
 A= RIGHT ANGLE BENT, TYPE 2
 B= RIGHT ANGLE BENT, TYPE 1
NUMBER OF POSITIONS
 (CONTACTS PER ROW)

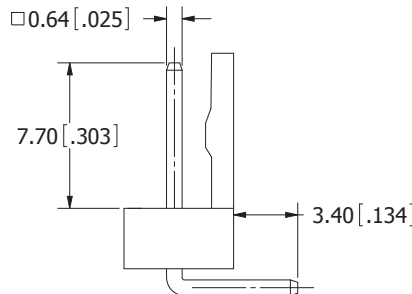
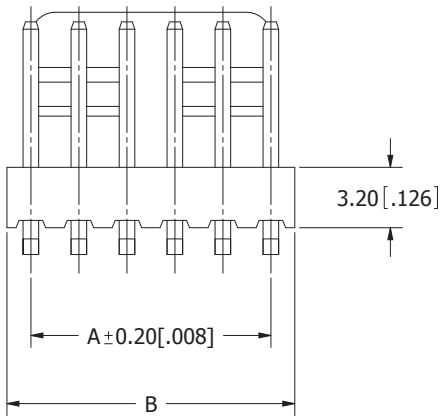


RECOMMENDED PCB LAYOUT
 P.C. BOARD THICKNESS: 1.6mm [.063"]

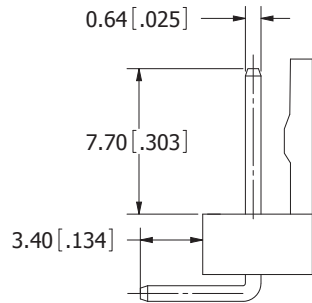


P/N: SWR25X-NRTC-S__-RA-BA (TYPE 2)

P/N: SWR25X-NRTC-S__-RB-BA (TYPE 1)



P/N: SWR25X-NRTC-S__-RB-BA (TYPE 1)



P/N: SWR25X-NRTC-S__-RA-BA (TYPE 2)

| Part Number | Positions/ Contacts | A | | B | | | |
|-----------------------|------------------------|-------|-------|-------------|-------|-------------|-------|
| | | | | TYPE 2 (RA) | | TYPE 1 (RB) | |
| | | MM | INCH | MM | INCH | MM | INCH |
| SWR25X-NRTC-S02-R_-BA | 02/02 | 2.54 | 0.100 | 5.12 | 0.202 | 5.08 | 0.200 |
| SWR25X-NRTC-S03-R_-BA | 03/03 | 5.08 | 0.200 | 7.66 | 0.302 | 7.62 | 0.300 |
| SWR25X-NRTC-S04-R_-BA | 04/04 | 7.62 | 0.300 | 10.20 | 0.402 | 10.16 | 0.400 |
| SWR25X-NRTC-S05-R_-BA | 05/05 | 10.16 | 0.400 | 12.74 | 0.502 | 12.70 | 0.500 |
| SWR25X-NRTC-S06-R_-BA | 06/06 | 12.70 | 0.500 | 15.30 | 0.602 | 15.24 | 0.600 |
| SWR25X-NRTC-S07-R_-BA | 07/07 | 15.24 | 0.600 | 17.94 | 0.706 | 17.78 | 0.700 |
| SWR25X-NRTC-S08-R_-BA | 08/08 | 17.78 | 0.700 | 20.48 | 0.806 | 20.32 | 0.800 |
| SWR25X-NRTC-S09-R_-BA | 09/09 | 20.32 | 0.800 | 23.02 | 0.906 | 22.86 | 0.900 |
| SWR25X-NRTC-S10-R_-BA | 10/10 | 22.86 | 0.900 | 25.58 | 1.007 | 25.40 | 1.000 |
| SWR25X-NRTC-S11-R_-BA | 11/11 | 25.40 | 1.000 | 28.12 | 1.107 | 27.94 | 1.100 |
| SWR25X-NRTC-S12-R_-BA | 12/12 | 27.94 | 1.100 | 30.68 | 1.208 | 30.48 | 1.200 |
| SWR25X-NRTC-S13-R_-BA | 13/13 | 30.48 | 1.200 | 33.10 | 1.303 | 33.02 | 1.300 |
| SWR25X-NRTC-S14-R_-BA | 14/14 | 33.02 | 1.300 | 35.80 | 1.409 | 35.56 | 1.400 |
| SWR25X-NRTC-S15-R_-BA | 15/15 | 35.56 | 1.400 | 38.34 | 1.509 | 38.10 | 1.500 |
| SWR25X-NRTC-S16-R_-BA | 16/16 | 38.10 | 1.500 | 40.94 | 1.612 | 40.64 | 1.600 |
| SWR25X-NRTC-S17-R_-BA | 17/17 | 40.64 | 1.600 | 43.30 | 1.705 | 43.18 | 1.700 |
| SWR25X-NRTC-S18-R_-BA | 18/18 | 43.18 | 1.700 | 45.90 | 1.807 | 45.72 | 1.800 |
| SWR25X-NRTC-S19-R_-BA | 19/19 | 45.72 | 1.800 | / | / | 48.26 | 1.900 |
| SWR25X-NRTC-S20-R_-BA | 20/20 | 48.26 | 1.900 | 50.80 | 2.000 | 50.80 | 2.000 |

- NOTES:**
- INSULATOR MATERIAL: NYLON 66, UL94V-2, COLOR: BEIGE.
 - CONTACT MATERIAL: BRASS.
 - CONTACT PLATING: .000020" MIN. NICKEL UNDERPLATE, PURE TIN, BRIGHT OVERALL.
 - CURRENT RATING: 5 AMPS PER CONTACT.
 - VOLTAGE RATING: 250V AC/DC.
 - INSULATOR RESISTANCE: 1000 MEGOHMS MIN.
 - CONTACT RESISTANCE: 20 MILLIOHMS MAX.
 - DIELECTRIC WITHSTANDING VOLTAGE: 1000V AC.
 - OPERATING TEMPERATURE: -25° C TO +85° C.
 - MATES WITH SWH25X SERIES SINGLE ROW HOUSING.



RoHS COMPLIANT

UNLESS OTHERWISE SPECIFIED:
 DIMENSIONS ARE IN MM(INCHES)
 TOLERANCES: ANGULAR:
 X= ± 0.3 [.01]
 XX= ± 0.30 [.012]
 INTERPRET DIMENSIONS AND
 TOLERANCING
 PER: ASME Y14.5M-2009

| | | |
|--|------------|------|
| DRAWN | DATE | NAME |
| | 05/23/2011 | LH |
| THE INFORMATION HEREIN CONTAINS PROPRIETARY INFORMATION OF SULLINS ELECTRONICS AND IS NOT TO BE REPRODUCED, USED OR DISCLOSED TO OTHERS FOR ANY PURPOSE EXCEPT AS SPECIFICALLY AUTHORIZED IN WRITING BY AN OFFICER OF SULLINS ELECTRONICS. | | |
| | | |

| | | | |
|---|--------------------|-------------------|----------|
| | | | |
| TITLE WAFER 2.54mm[.100"] CC, 1 ROW, RA/RB | | | |
| PART NUMBER SWR25X-NRTC-S__-R_-BA | | | |
| SIZE C | CAGE CODE 54453 | DWG. NO. 11634 | REV A |
| SCALE: 5:1 | | SHEET 1 OF 1 | |