



Chipsmall Limited consists of a professional team with an average of over 10 year of expertise in the distribution of electronic components. Based in Hongkong, we have already established firm and mutual-benefit business relationships with customers from,Europe,America and south Asia,supplying obsolete and hard-to-find components to meet their specific needs.

With the principle of “Quality Parts,Customers Priority,Honest Operation,and Considerate Service”,our business mainly focus on the distribution of electronic components. Line cards we deal with include Microchip,ALPS,ROHM,Xilinx,Pulse,ON,Everlight and Freescale. Main products comprise IC,Modules,Potentiometer,IC Socket,Relay,Connector.Our parts cover such applications as commercial,industrial, and automotives areas.

We are looking forward to setting up business relationship with you and hope to provide you with the best service and solution. Let us make a better world for our industry!



Contact us

Tel: +86-755-8981 8866 Fax: +86-755-8427 6832

Email & Skype: info@chipsmall.com Web: www.chipsmall.com

Address: A1208, Overseas Decoration Building, #122 Zhenhua RD., Futian, Shenzhen, China



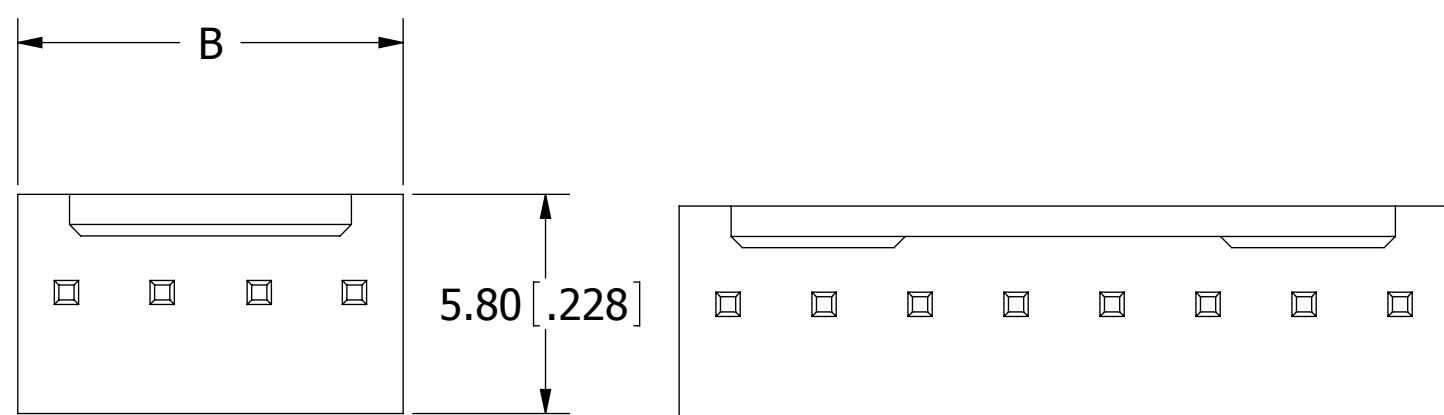
PART NUMBER CODING

SWR25X-NRTC-S__-ST-BA

NUMBER OF POSITIONS

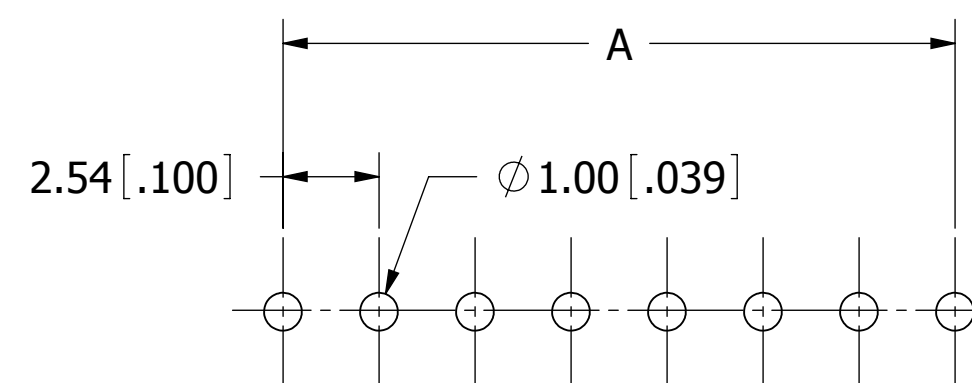
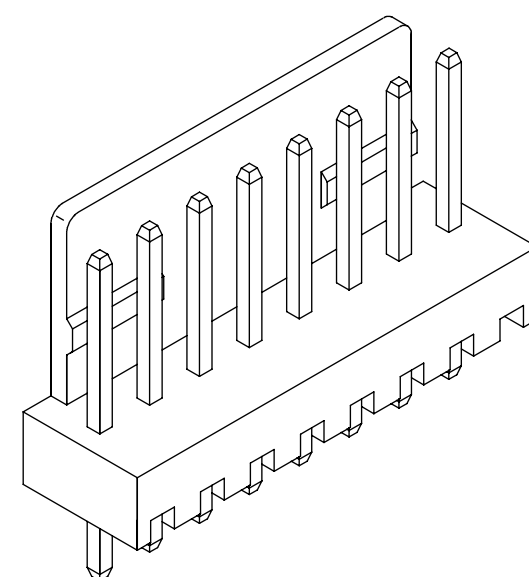
(CONTACTS PER ROW, 02 TO 20)

REVISIONS				
REV.	ECO. NO	DESCRIPTION	DATE	BY
A	2237	INITIAL RELEASE	05/23/2011	LH

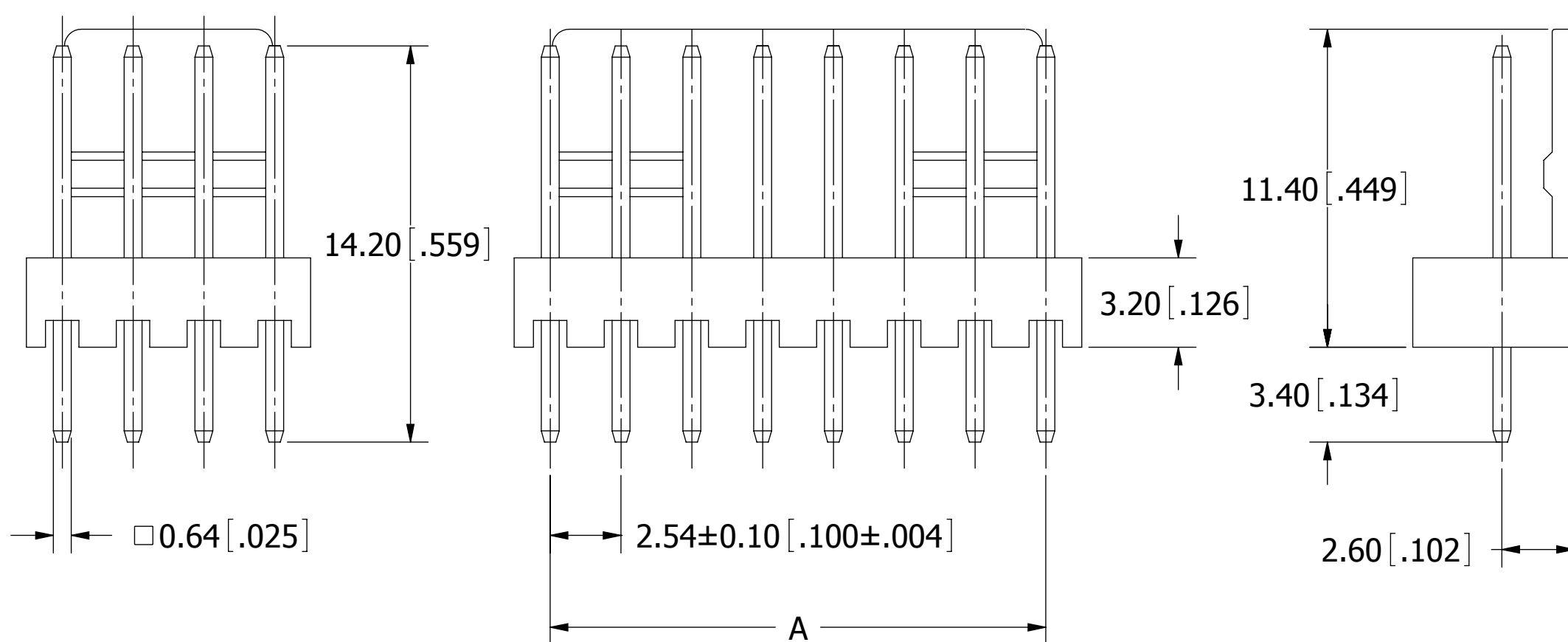


02 - 05 POSITIONS

06 - 20 POSITIONS

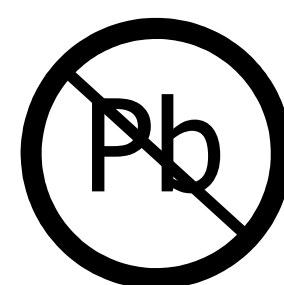


RECOMMENDED PCB LAYOUT



NOTES:

1. INSULATOR MATERIAL: NYLON 66, UL94V-2, COLOR: BEIGE.
2. CONTACT MATERIAL: BRASS.
3. CONTACT PLATING: .000020" MIN. NICKEL UNDERPLATE, PURE TIN, BRIGHT OVERALL.
4. CURRENT RATING: 5 AMPS PER CONTACT.
5. VOLTAGE RATING: 250V AC/DC.
6. INSULATOR RESISTANCE: 1000 MEGOHMS MIN.
7. CONTACT RESISTANCE: 20 MILLIOHMS MAX.
8. DIELECTRIC WITHSTANDING VOLTAGE: 1000V AC.
9. OPERATING TEMPERATURE: -25° C TO +85° C.
10. MATES WITH SWH25X SERIES SINGLE ROW HOUSING.



RoHS COMPLIANT

Part Number	Positions/ Contacts	A		B	
		MM	INCH	MM	INCH
SWR25X-NRTC-S02-ST-BA	02/02	2.54	0.100	5.12	0.202
SWR25X-NRTC-S03-ST-BA	03/03	5.08	0.200	7.66	0.302
SWR25X-NRTC-S04-ST-BA	04/04	7.62	0.300	10.20	0.402
SWR25X-NRTC-S05-ST-BA	05/05	10.16	0.400	12.74	0.502
SWR25X-NRTC-S06-ST-BA	06/06	12.70	0.500	15.30	0.602
SWR25X-NRTC-S07-ST-BA	07/07	15.24	0.600	17.94	0.706
SWR25X-NRTC-S08-ST-BA	08/08	17.78	0.700	20.48	0.806
SWR25X-NRTC-S09-ST-BA	09/09	20.32	0.800	23.02	0.906
SWR25X-NRTC-S10-ST-BA	10/10	22.86	0.900	25.58	1.007
SWR25X-NRTC-S11-ST-BA	11/11	25.40	1.000	28.12	1.107
SWR25X-NRTC-S12-ST-BA	12/12	27.94	1.100	30.68	1.208
SWR25X-NRTC-S13-ST-BA	13/13	30.48	1.200	33.10	1.303
SWR25X-NRTC-S14-ST-BA	14/14	33.02	1.300	35.80	1.409
SWR25X-NRTC-S15-ST-BA	15/15	35.56	1.400	38.34	1.509
SWR25X-NRTC-S16-ST-BA	16/16	38.10	1.500	40.94	1.612
SWR25X-NRTC-S17-ST-BA	17/17	40.64	1.600	43.30	1.705
SWR25X-NRTC-S18-ST-BA	18/18	43.18	1.700	45.90	1.807
SWR25X-NRTC-S19-ST-BA	19/19	45.72	1.800	48.56	1.912
SWR25X-NRTC-S20-ST-BA	20/20	48.26	1.900	50.80	2.000

UNLESS OTHERWISE SPECIFIED: DIMENSIONS ARE IN MM[INCHES]	DRAWN	DATE	NAME	
		05/23/2011	LH	
TOLERANCES: ANGULAR: X = ± 0.3 [01] .XX = ± 0.30 [012]	<small>THE INFORMATION HEREIN CONTAINS PROPRIETARY INFORMATION OF SULLINS ELECTRONICS AND IS NOT TO BE REPRODUCED, USED OR DISCLOSED TO OTHERS FOR ANY PURPOSE EXCEPT AS SPECIFICALLY AUTHORIZED IN WRITING BY AN OFFICER OF SULLINS ELECTRONICS.</small>			
	TITLE: WAFER 2.54mm[.100"] CC, 1 ROW, ST PART NUMBER: SWR25X-NRTC-S__-ST-BA			
INTERPRET DIMENSIONS AND TOLERANCING PER: ASME Y14.5M-2009		SIZE: C CAGE CODE: 54453 SCALE: 15:1	DWG. NO.: 11633 SHEET 1 OF 1	REV: A