



Chipsmall Limited consists of a professional team with an average of over 10 year of expertise in the distribution of electronic components. Based in Hongkong, we have already established firm and mutual-benefit business relationships with customers from,Europe,America and south Asia,supplying obsolete and hard-to-find components to meet their specific needs.

With the principle of “Quality Parts,Customers Priority,Honest Operation,and Considerate Service”,our business mainly focus on the distribution of electronic components. Line cards we deal with include Microchip,ALPS,ROHM,Xilinx,Pulse,ON,Everlight and Freescale. Main products comprise IC,Modules,Potentiometer,IC Socket,Relay,Connector.Our parts cover such applications as commercial,industrial, and automotives areas.

We are looking forward to setting up business relationship with you and hope to provide you with the best service and solution. Let us make a better world for our industry!



Contact us

Tel: +86-755-8981 8866 Fax: +86-755-8427 6832

Email & Skype: info@chipsmall.com Web: www.chipsmall.com

Address: A1208, Overseas Decoration Building, #122 Zhenhua RD., Futian, Shenzhen, China

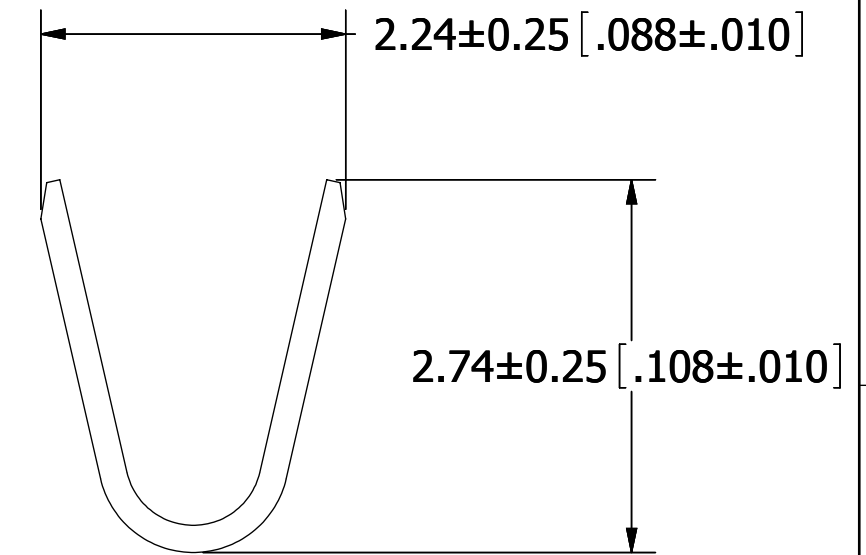
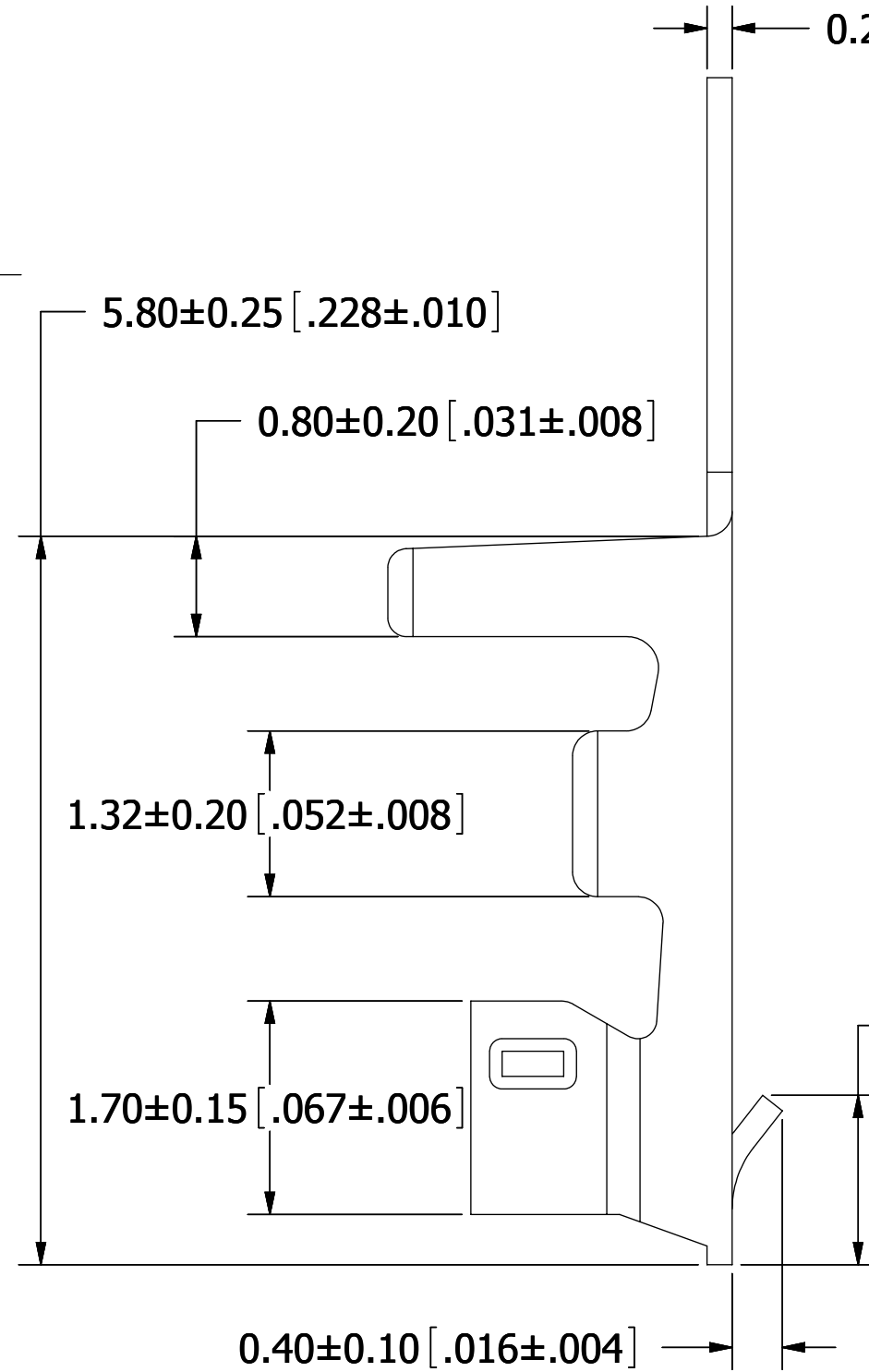
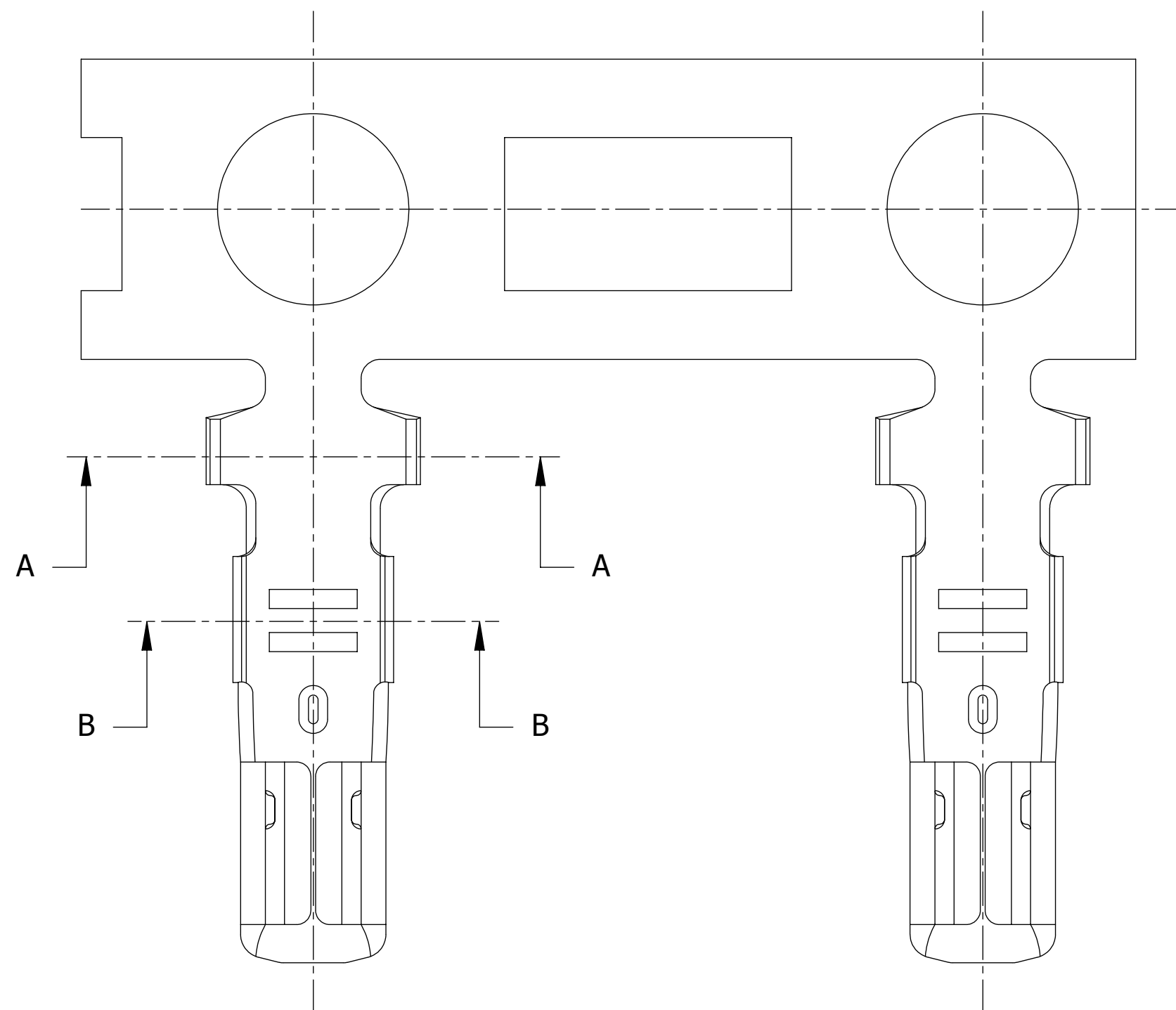


PART NUMBER CODING
SWT201-UP_N-S01-UU-UU

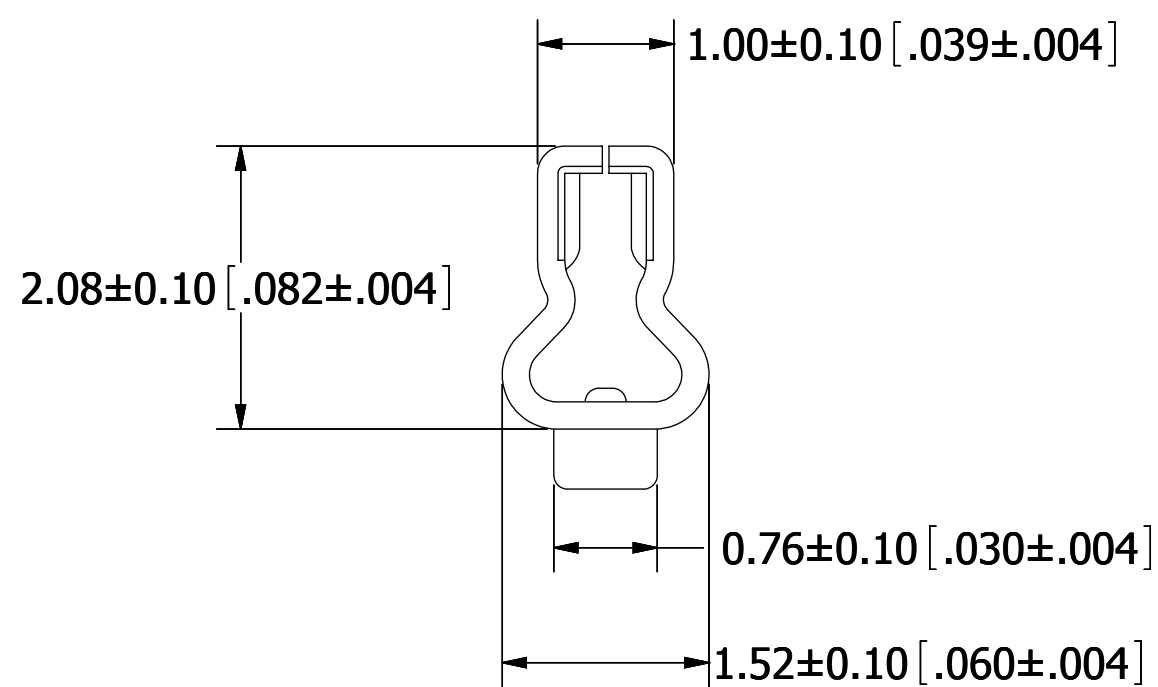
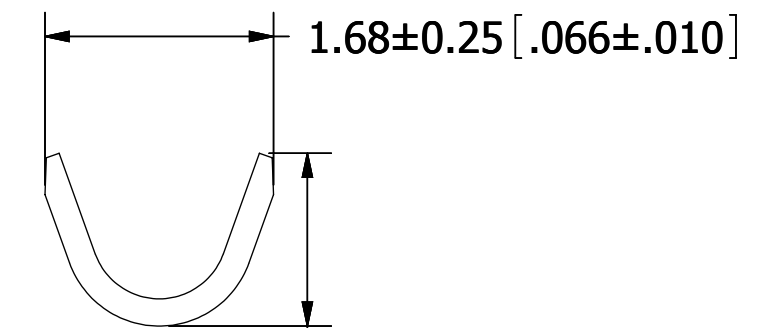
PLATING

E = TIN OVERALL.
P = GOLD FLASH OVERALL.

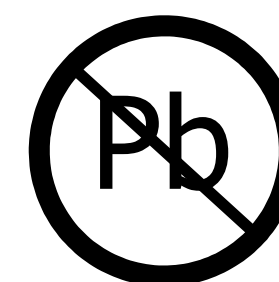
REVISIONS				
REV.	ECO. NO	DESCRIPTION	DATE	BY
A	2003	INITIAL RELEASE	9/08/2009	JH



1.35±0.10 [.053±.004]



- NOTES:**
1. MATERIAL: PHOSPHOR BRONZE.
 2. PLATING: SEE PART NUMBER CODING.
 3. WIRE RANGE: AWG #24 - #30.
 4. INSULATION O.D.: 1.50mm MAX.
 5. QUANTITY PER REEL = 10,000 PIECES.
 6. USED IN SWH201 SERIES HOUSING.



RoHS COMPLIANT

UNLESS OTHERWISE SPECIFIED:
DIMENSIONS ARE IN MM [INCHES]
TOLERANCES:
ANGULAR: ± 5°
.X = ± .3 [.01]
.XX = ± .15 [.006]
.XXX = ± .050 [.0020]
SURFACE FINISH: 63 R_a
REMOVE ALL BURRS AND SHARP EDGES .010 MAX

INTERPRET DIMENSIONS AND GEOMETRIC TOLERANCING PER: ANSI Y14.5M-1994

DATE	NAME	SULLINS CONNECTOR SOLUTIONS	
9/09/09	JH	DESCRIPTION CRIMP TERMINAL - SWH201	
DRAWN		PART NUMBER SWT201-UP_N-S01-UU-UU	
THE INFORMATION HEREIN CONTAINS PROPRIETARY INFORMATION OF SULLINS ELECTRONICS AND IS NOT TO BE REPRODUCED, USED OR DISCLOSED TO OTHERS FOR ANY PURPOSE EXCEPT AS SPECIFICALLY AUTHORIZED IN WRITING BY AN OFFICER OF SULLINS ELECTRONICS.		SIZE C	DWG. NO. 11296
SCALE: 18:1		REV A	SHEET 1 OF 1