



Chipsmall Limited consists of a professional team with an average of over 10 year of expertise in the distribution of electronic components. Based in Hongkong, we have already established firm and mutual-benefit business relationships with customers from,Europe,America and south Asia,supplying obsolete and hard-to-find components to meet their specific needs.

With the principle of “Quality Parts,Customers Priority,Honest Operation,and Considerate Service”,our business mainly focus on the distribution of electronic components. Line cards we deal with include Microchip,ALPS,ROHM,Xilinx,Pulse,ON,Everlight and Freescale. Main products comprise IC,Modules,Potentiometer,IC Socket,Relay,Connector.Our parts cover such applications as commercial,industrial, and automotives areas.

We are looking forward to setting up business relationship with you and hope to provide you with the best service and solution. Let us make a better world for our industry!



## Contact us

Tel: +86-755-8981 8866 Fax: +86-755-8427 6832

Email & Skype: info@chipsmall.com Web: www.chipsmall.com

Address: A1208, Overseas Decoration Building, #122 Zhenhua RD., Futian, Shenzhen, China



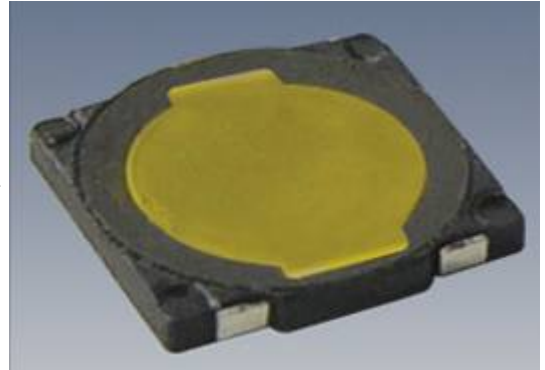
# Model SWT4

Tactile Switches 4.6 X 4.6 mm

Low Profile 0.5 mm

RoHS Compliant

**New Product**



## MODELS AVAILABLE

Top Actuation SMD (J PIN)

SWT4 - J

## ELECTRICAL

Contact Resistance	100 mΩ max
Insulation Resistance	100 M Ω min. at 100VDC
Dielectric Strength	AC 250VAC / Minute
Rating	DC 12V, 50 mA

## ENVIRONMENTAL

Life Mechanical (range)	500K Cycles - 160 gf 50K Cycles - 260 gf
Operating Force	160 gf and 260 gf
Operating Temperature Range	-20°C – 70°C
Storage Temperature Range	-30°C – 80°C
Stop Strength	Vertical Static Load of 3Kgf continuously for 15 sec
Vibration	Mil-STD-202F, Method 201A
Shock	Mil-STD-202F, Method 213B Condition A
Soldering	Profile available upon request
Travel	0.2 ±0.1mm

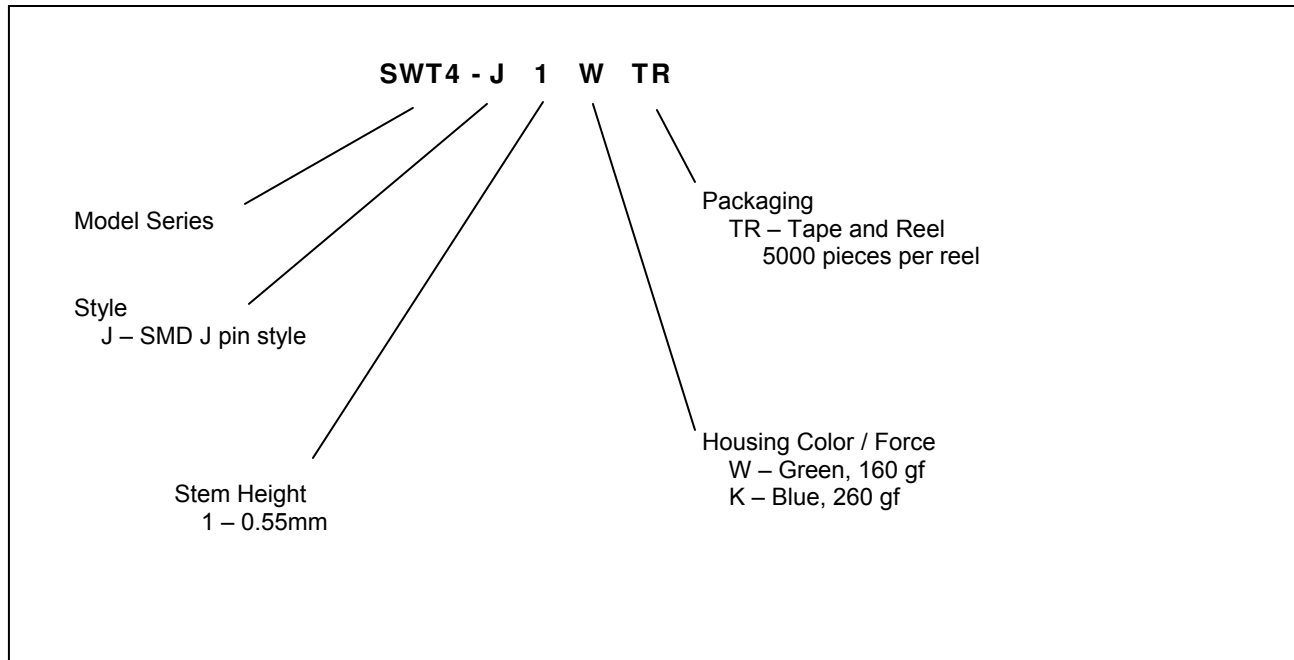
**BI Technologies Corporation**  
4200 Bonita Place, Fullerton, CA 92835 USA

Phone: 714 447 2345 Website: [www.bitechnologies.com](http://www.bitechnologies.com)

June 1, 2010

# Model SWT4

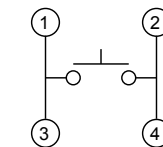
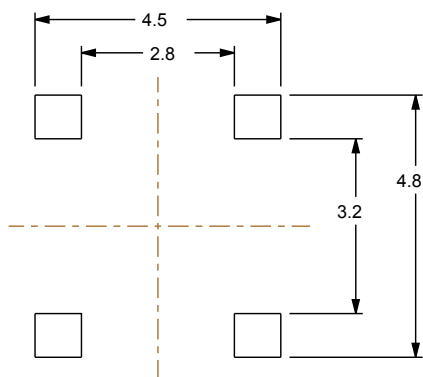
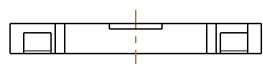
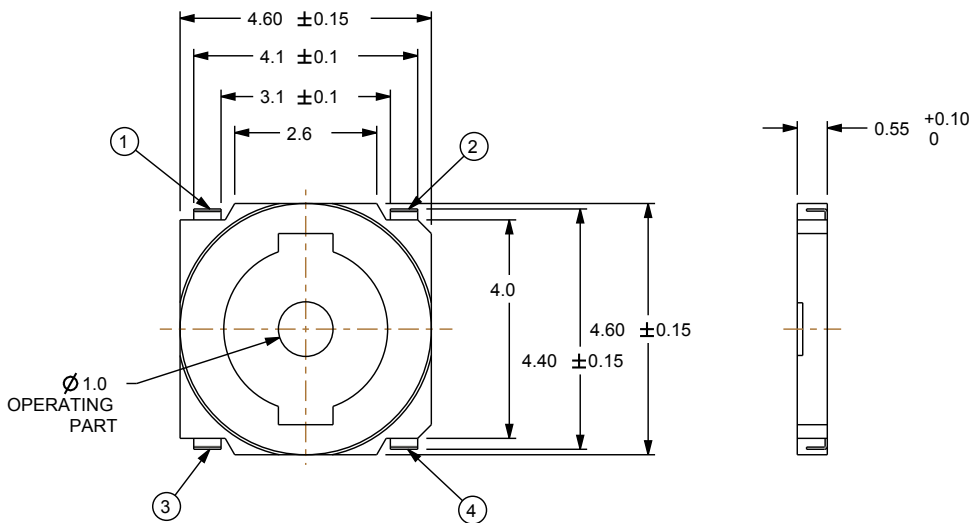
## ORDERING INFORMATION



# Model SWT4

## OUTLINE DRAWINGS

SWT4-J

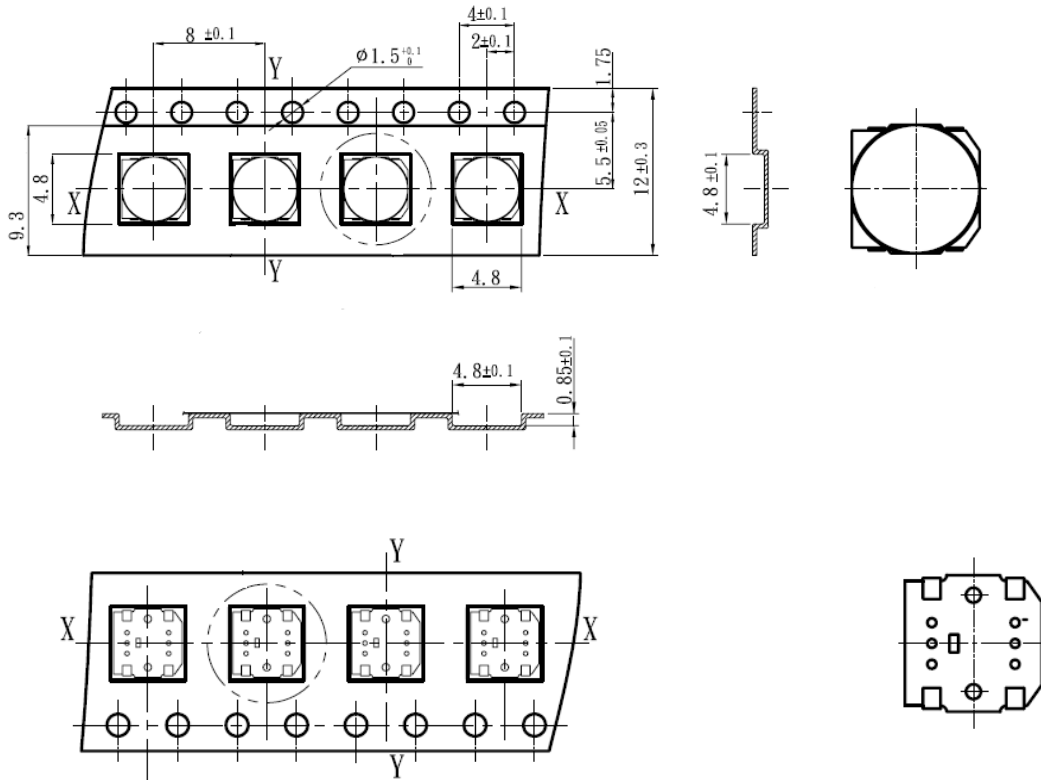


CIRCUIT DIAGRAM

PRINTED CIRCUIT BOARD LAND DIMENSIONS  
(WHEN VIEWED FROM SWITCH MOUNTING SURFACE)

# Model SWT4

## PACKAGING

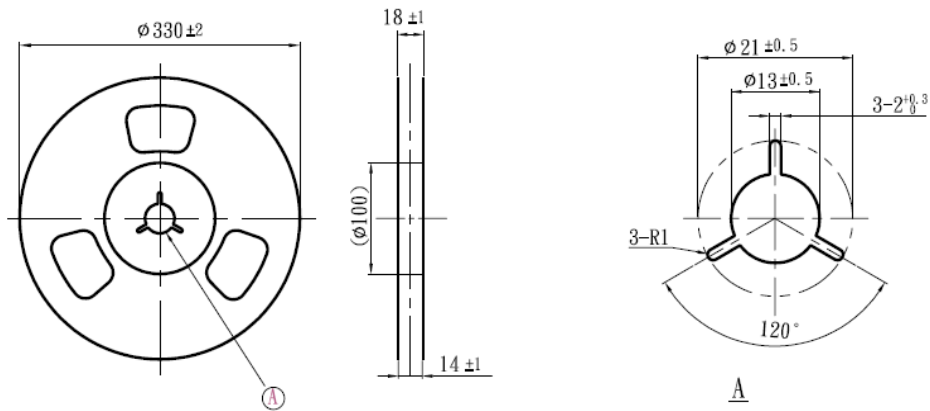


Carrier Tape form and Dimensions

Pulling-out direction of the tape



# Model SWT4



Reel form and Dimensions