



Chipsmall Limited consists of a professional team with an average of over 10 year of expertise in the distribution of electronic components. Based in Hongkong, we have already established firm and mutual-benefit business relationships with customers from,Europe,America and south Asia,supplying obsolete and hard-to-find components to meet their specific needs.

With the principle of “Quality Parts,Customers Priority,Honest Operation,and Considerate Service”,our business mainly focus on the distribution of electronic components. Line cards we deal with include Microchip,ALPS,ROHM,Xilinx,Pulse,ON,Everlight and Freescale. Main products comprise IC,Modules,Potentiometer,IC Socket,Relay,Connector.Our parts cover such applications as commercial,industrial, and automotives areas.

We are looking forward to setting up business relationship with you and hope to provide you with the best service and solution. Let us make a better world for our industry!



## Contact us

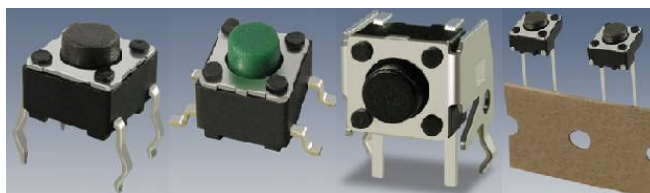
Tel: +86-755-8981 8866 Fax: +86-755-8427 6832

Email & Skype: info@chipsmall.com Web: www.chipsmall.com

Address: A1208, Overseas Decoration Building, #122 Zhenhua RD., Futian, Shenzhen, China



**Model SWT6**  
**Tactile Switches 6X6 mm**  
**500K Actuations**  
**RoHS Compliant**



**New Product**

**MODELS AVAILABLE**

Side Actuation	SWT6-R
Top Actuation	SWT6-V
Top Actuation with Ground	SWT6-E
SMD Top Actuation	SWT6-M

**ELECTRICAL**

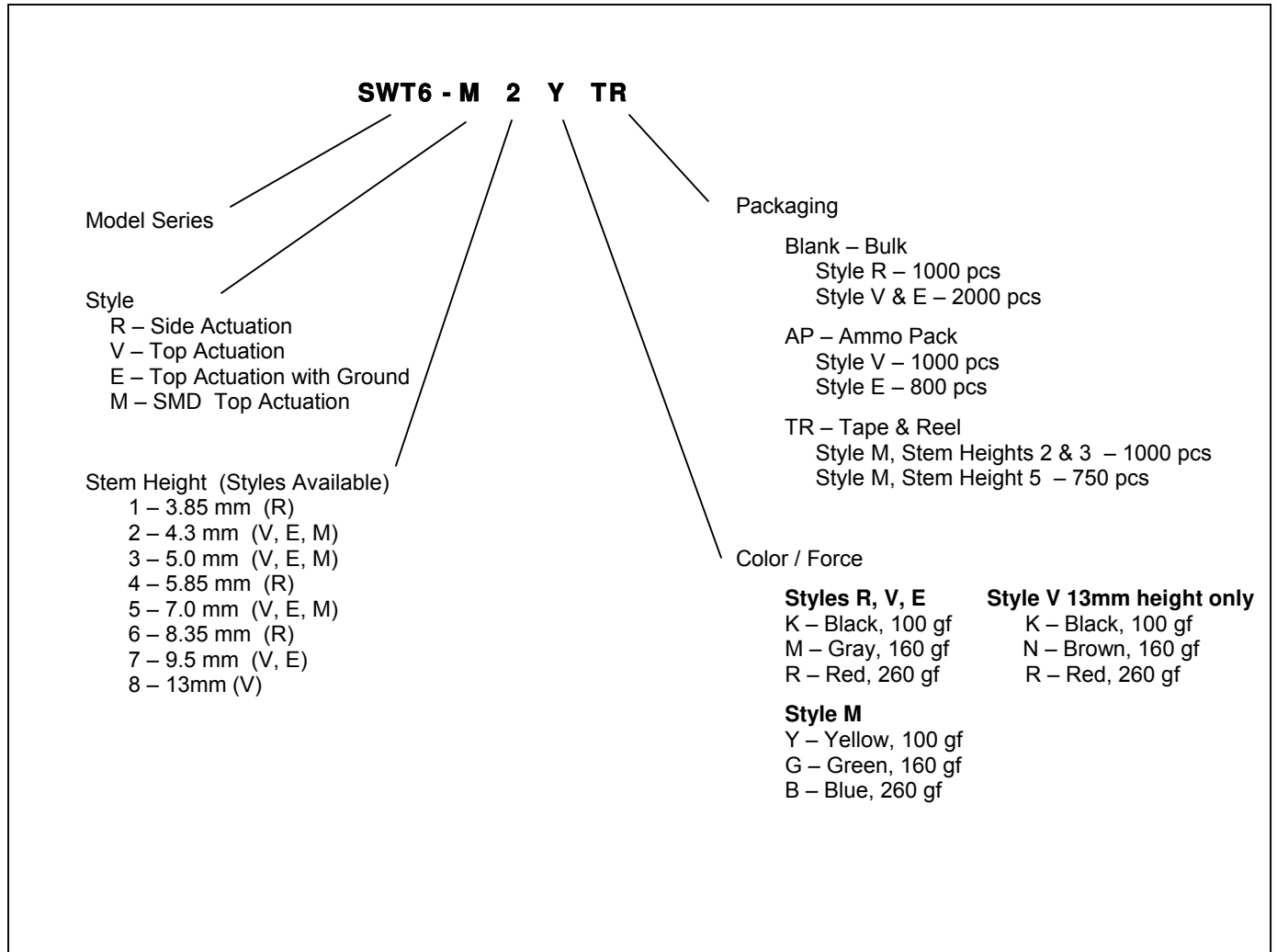
Contact Resistance	100 mΩ
Current Rating	DC 12V, 50 mA
Insulation Resistance	100 MΩ min
Dielectric Strength	AC 250V

**ENVIRONMENTAL**

Life, Mechanical	500K Actuations
Operating Temperature Range	-20°C – 70°C.
Storage Temperature	-30°C – 80°C
Shock	Mil-STD-202F, Method 213B Condition A
Vibration	Mil-STD-202F, Method 201A
Operating Force Range (refer to definition table below))	100 gf – 260 gf

# Model SWT6

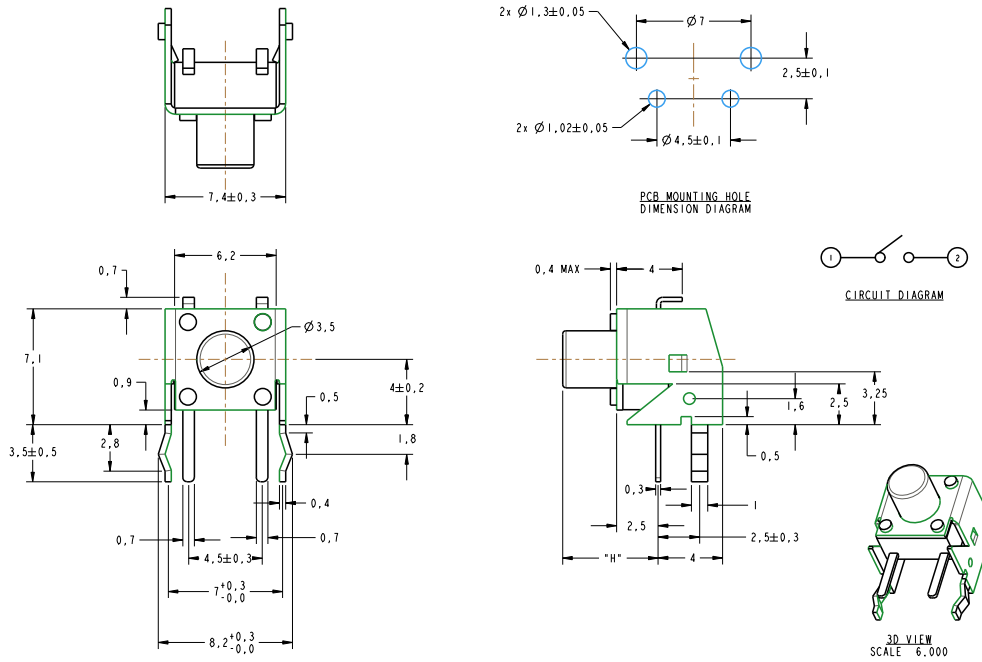
## ORDERING INFORMATION



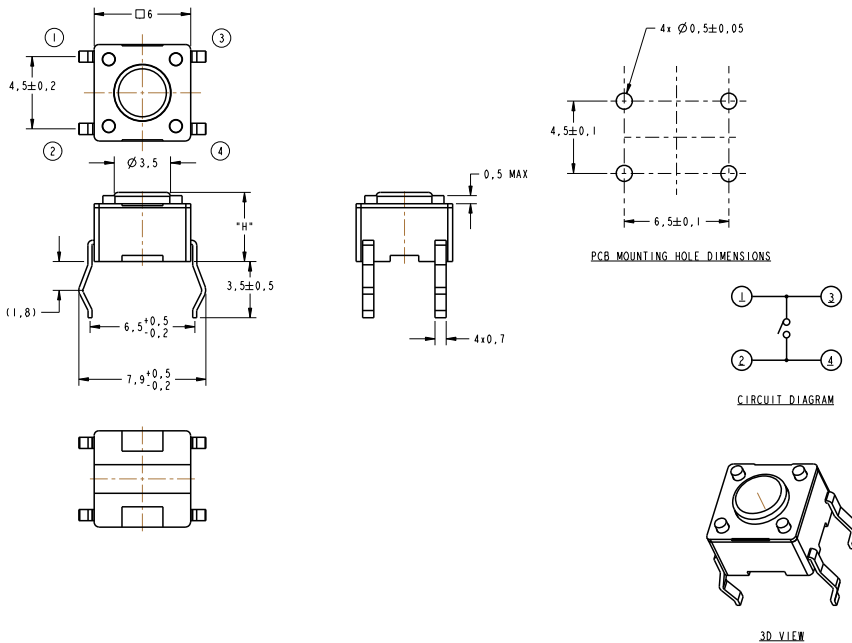
# Model SWT6

## OUTLINE DRAWINGS

### SWT6-R (Side Actuation)

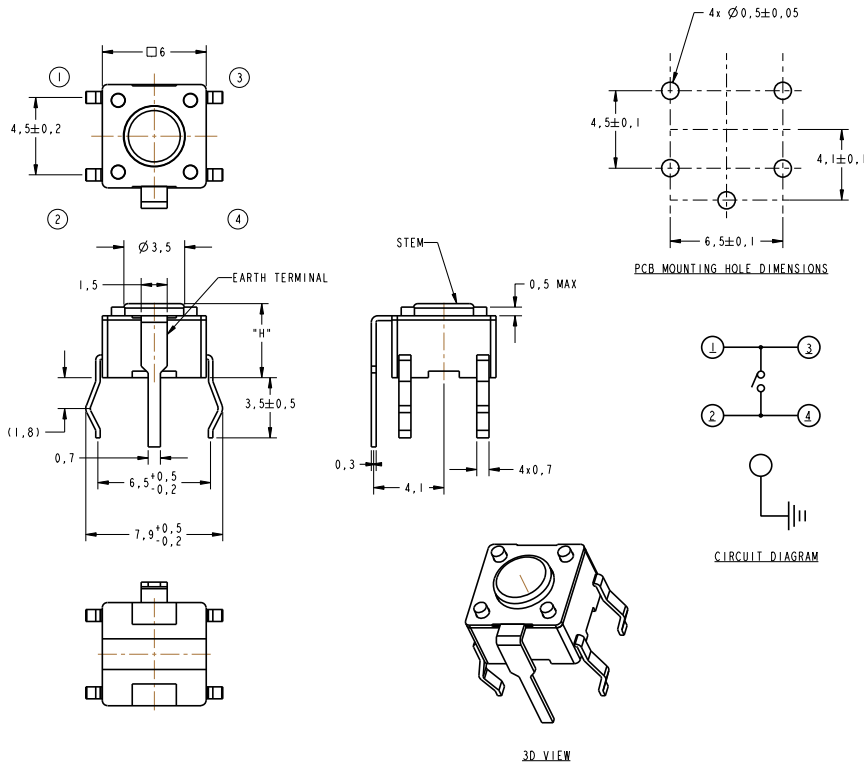


### SWT6-V (Top Actuation)

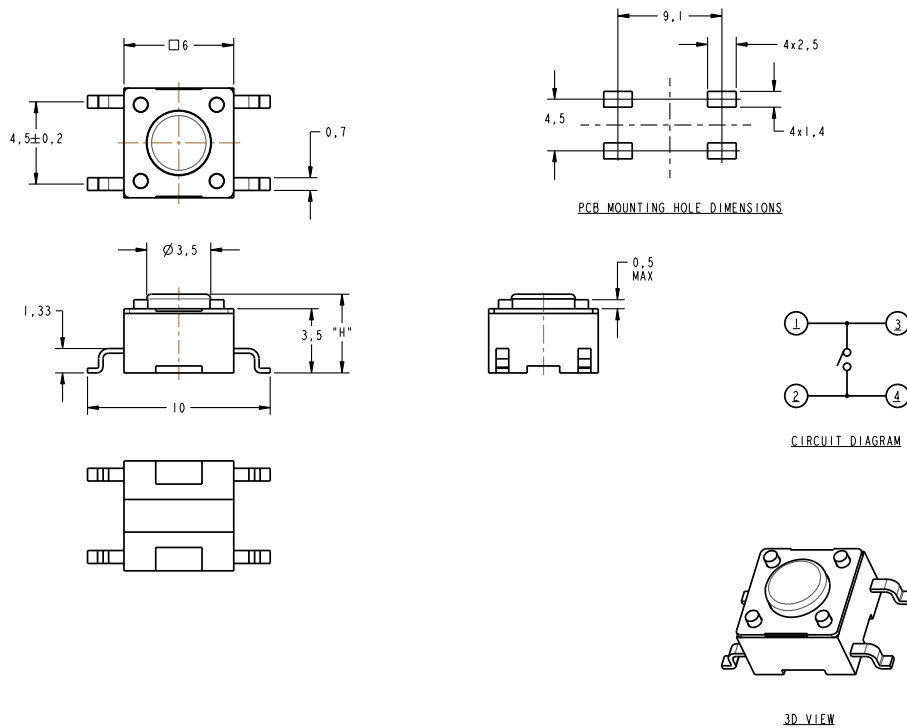


# Model SWT6

SWT6-E (Top Actuation with Ground)

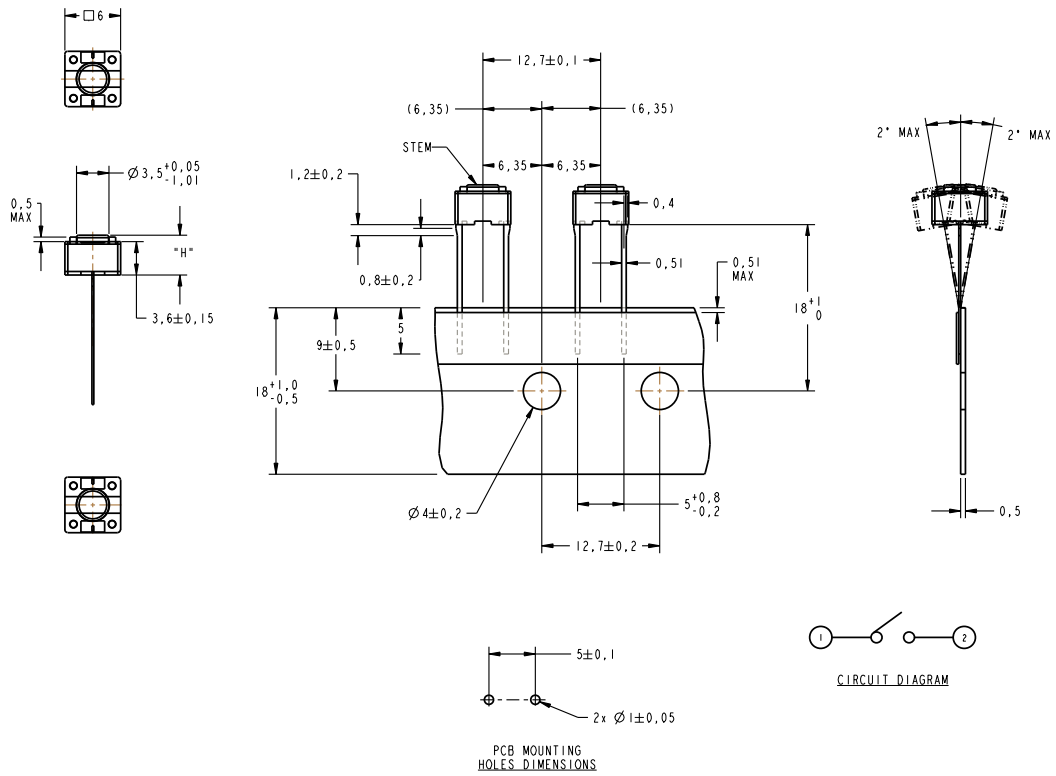


SWT6-M (SMD, Top Actuation)



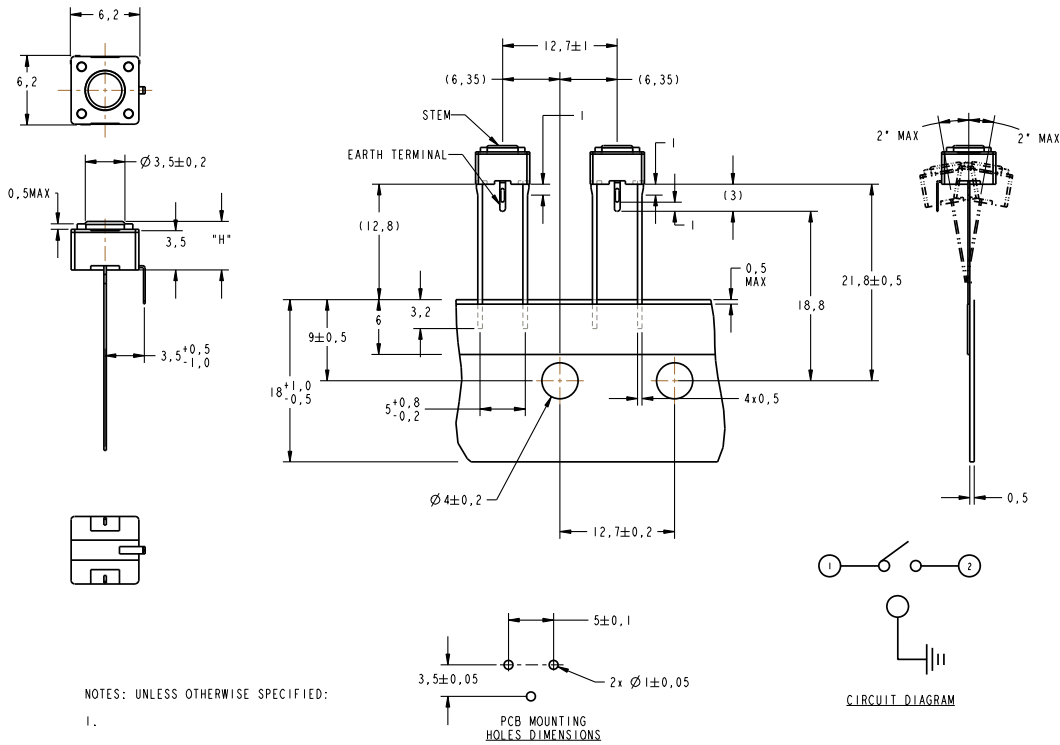
# Model SWT6

## SWT6-VXXAP (Top Actuation, Ammo Pack)



PCB MOUNTING HOLES DIMENSIONS

## SWT6-EXXAP (Top Actuation with Ground, Ammo Pack)



PCB MOUNTING HOLES DIMENSIONS

NOTES: UNLESS OTHERWISE SPECIFIED:  
1.