



Chipsmall Limited consists of a professional team with an average of over 10 year of expertise in the distribution of electronic components. Based in Hongkong, we have already established firm and mutual-benefit business relationships with customers from,Europe,America and south Asia,supplying obsolete and hard-to-find components to meet their specific needs.

With the principle of "Quality Parts,Customers Priority,Honest Operation,and Considerate Service",our business mainly focus on the distribution of electronic components. Line cards we deal with include Microchip,ALPS,ROHM,Xilinx,Pulse,ON,Everlight and Freescale. Main products comprise IC,Modules,Potentiometer,IC Socket,Relay,Connector.Our parts cover such applications as commercial,industrial, and automotives areas.

We are looking forward to setting up business relationship with you and hope to provide you with the best service and solution. Let us make a better world for our industry!



Contact us

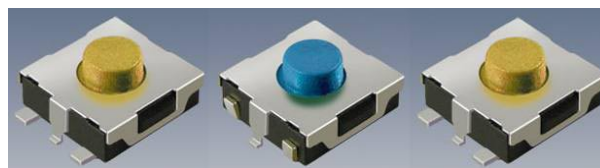
Tel: +86-755-8981 8866 Fax: +86-755-8427 6832

Email & Skype: info@chipsmall.com Web: www.chipsmall.com

Address: A1208, Overseas Decoration Building, #122 Zhenhua RD., Futian, Shenzhen, China



Model SWT7
Tactile Switches, 6.2 X 6.3 mm
Low Profile, SMD
RoHS Compliant



New Product

MODELS AVAILABLE

Top Actuation – G Pin	SWT7-G
Top Actuation - G Pin w/ Ground	SWT7-X
Top Actuation - J Pin	SWT7-J
Top Actuation - J Pin w/ Ground	SWT7-Z

ELECTRICAL

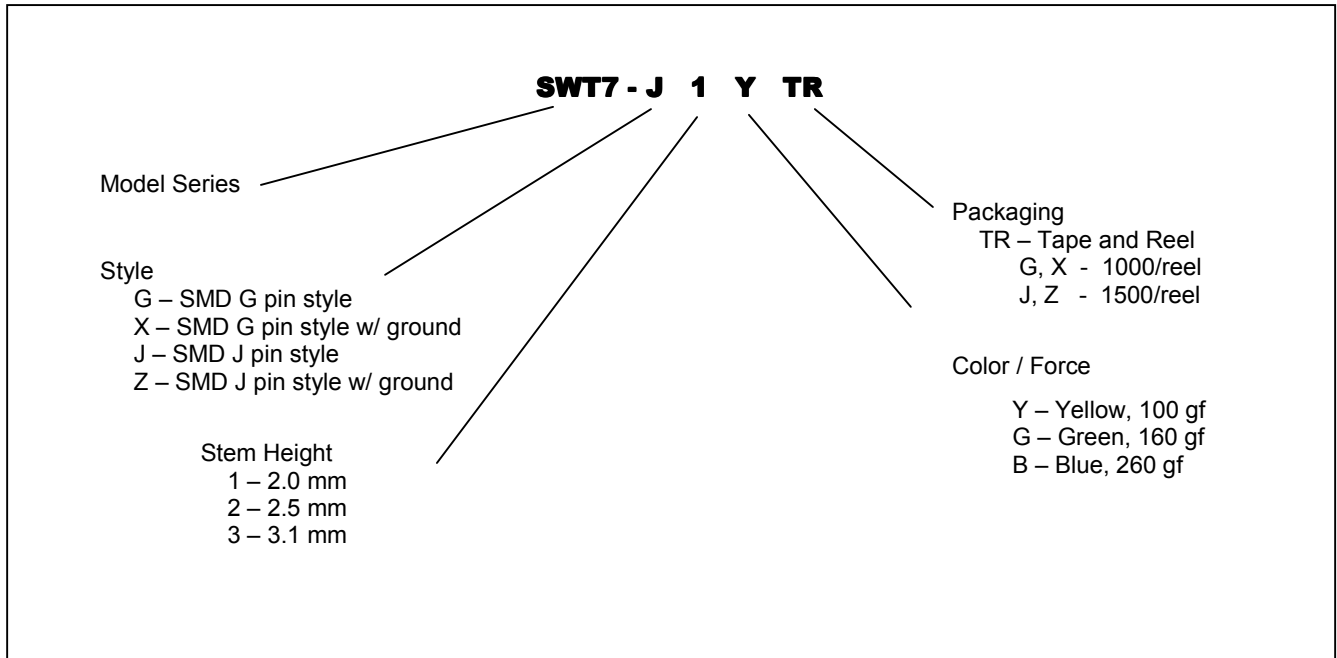
Contact Resistance	100 mΩ
Insulation Resistance	100 MΩ min
Dielectric Strength	AC 250V
Rating	DC 12V, 50 mA
Contact Arrangement	Single throw single pole

ENVIRONMENTAL

Life Mechanical	100K Cycles
Operating Force Range (refer to operating force table)	100 gf – 260 gf
Operating Temperature Range	-20°C – 70°C
Storage Temperature Range	-30°C – 80°C
Stop Strength	Vertical Static Load of 3Kgf
Vibration	Mil-STD-202F, Method 201A
Shock	Mil-STD-202F, Method 213B Condition A
Soldering	Recommendations available upon request

Model SWT7

ORDERING INFORMATION¹



**Contact our customer service for custom designs and features.*

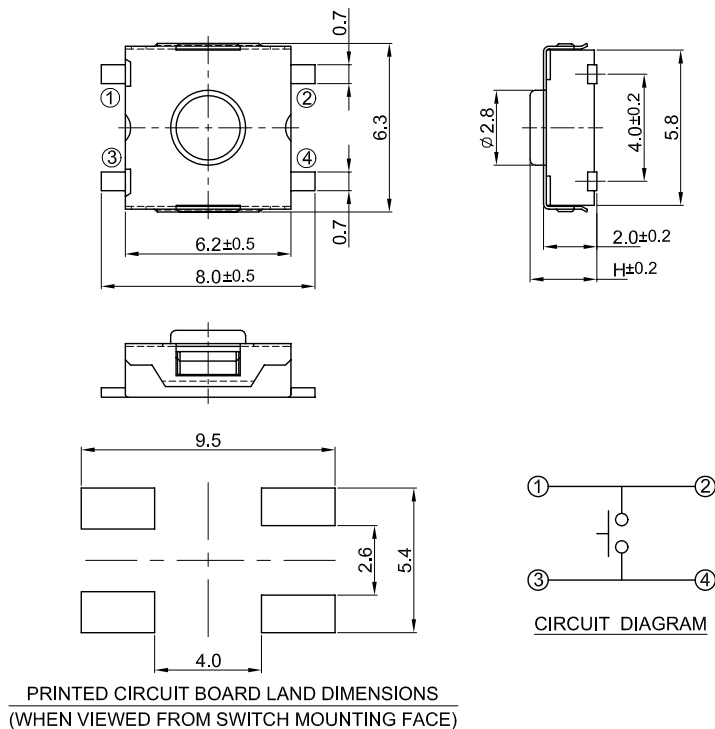
BI Technologies Corporation
4200 Bonita Place, Fullerton, CA 92835 USA
Phone: 714 447 2345 Website: www.bitechnologies.com



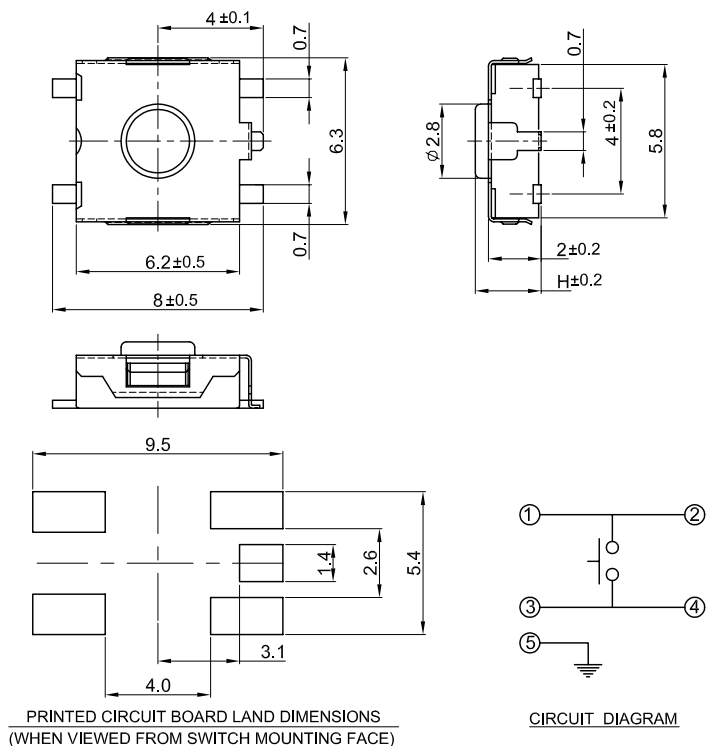
Model SWT7

OUTLINE DRAWINGS

SWT7-G Top Actuation

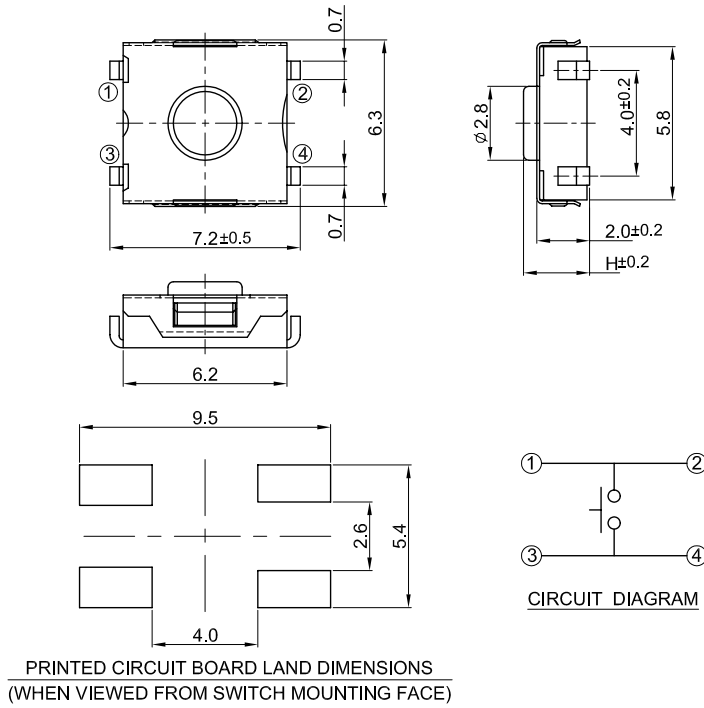


SWT7- X Top Actuation with Ground

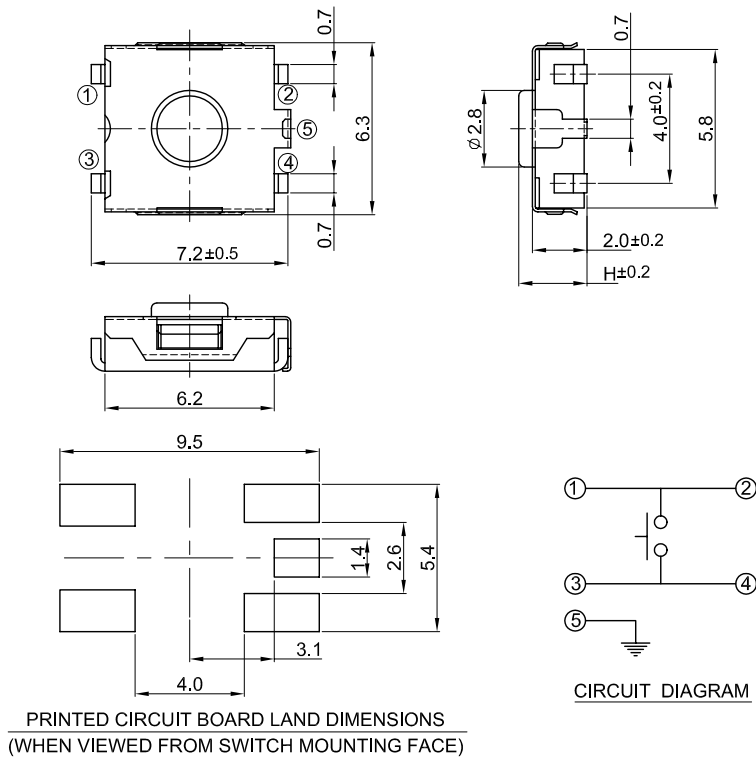


Model SWT7

SWT7-J Top Actuation



SWT7-Z Top Actuation with ground



Model SWT7

PACKAGING

