



Chipsmall Limited consists of a professional team with an average of over 10 year of expertise in the distribution of electronic components. Based in Hongkong, we have already established firm and mutual-benefit business relationships with customers from,Europe,America and south Asia,supplying obsolete and hard-to-find components to meet their specific needs.

With the principle of “Quality Parts,Customers Priority,Honest Operation,and Considerate Service”,our business mainly focus on the distribution of electronic components. Line cards we deal with include Microchip,ALPS,ROHM,Xilinx,Pulse,ON,Everlight and Freescale. Main products comprise IC,Modules,Potentiometer,IC Socket,Relay,Connector.Our parts cover such applications as commercial,industrial, and automotives areas.

We are looking forward to setting up business relationship with you and hope to provide you with the best service and solution. Let us make a better world for our industry!



## Contact us

Tel: +86-755-8981 8866 Fax: +86-755-8427 6832

Email & Skype: info@chipsmall.com Web: www.chipsmall.com

Address: A1208, Overseas Decoration Building, #122 Zhenhua RD., Futian, Shenzhen, China



# MODEL SWTW

## Tactile Switches 6 x 6 mm and 8 x 8mm Sealed, Washable RoHS Compliant



### STYLES AVAILABLE

Top Actuation SMD – G Pin, 6 x 6 mm	SWTW-G
Top Actuation SMD – G pin with Ground, 6 x 6 mm	SWTW-X
Top Actuation SMD – J pin, 6 x 6 mm	SWTW-J
Side Actuation SMD – J pin, 6 x 6 mm	SWTW-S
Top Actuation Through Hole, 6 x 6 mm	SWTW-H
Side Actuation Through Hole, 8 x 8 mm	SWTW-R
Top Actuation Through Hole, 8 x 8 mm	SWTW-K

### ELECTRICAL

Contact Resistance	100 milli $\Omega$ max
Insulation Resistance	100 M $\Omega$ min. at 500VDC
Dielectric Strength	AC 250VAC / Minute
Rating	DC 12V / 50 mA ( DC 50V/50mA for SWTW-R only )

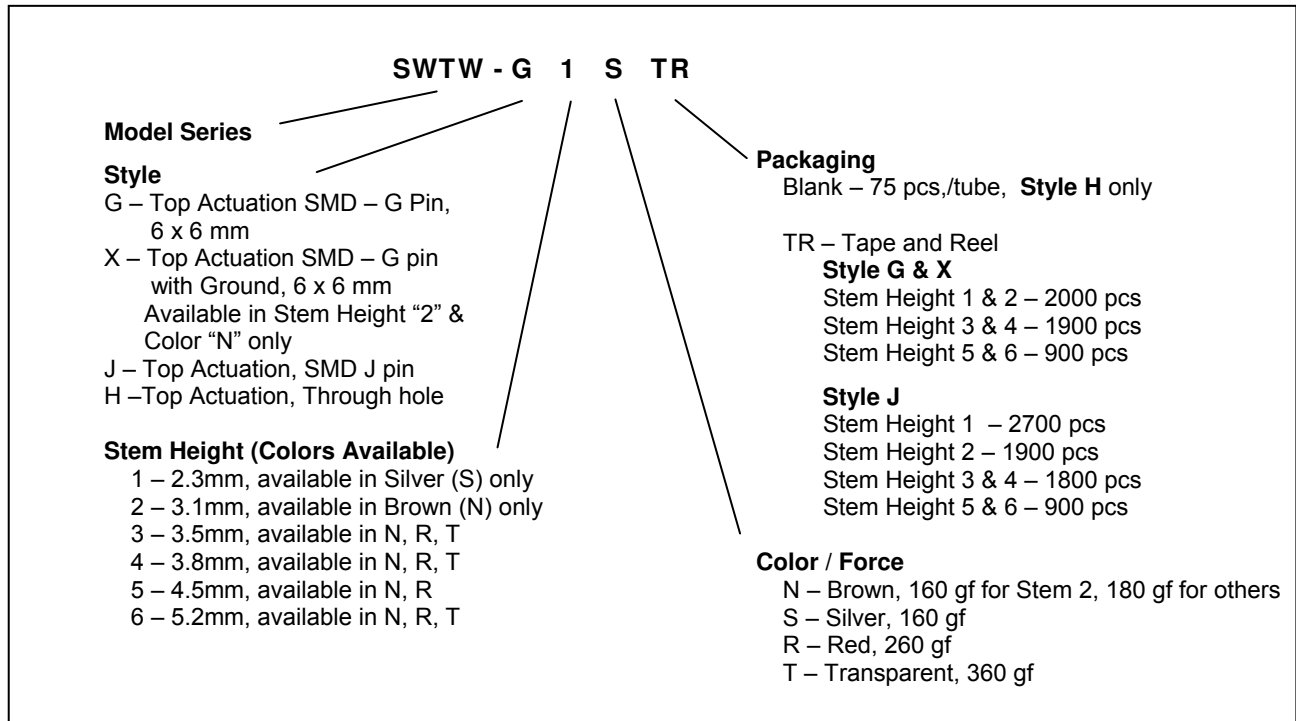
### ENVIRONMENTAL (MIL-R-39023)

Life Mechanical (range)	100K Cycles : Stem heights 1 & 2, 500K Cycles : Others (200K cycles : SWTW-S only) (1 Millions cycles : SWTW-R and SWTW-K only)
Operating Force Range (refer to ordering information)	130 gf – 360 gf
Operating Temperature Range	-25°C – 70°C, ( -40°C to +90°C for SWTW-R and SWTW-K only )
Storage Temperature Range	-30°C – 80°C, ( -40°C to +90°C for SWTW-R and SWTW-K only )
Stop Strength	Vertical Static Load of 3Kg continuously for 15 sec
Vibration	Mil-STD-202F, Method 201A
Shock	Mil-STD-202F, Method 213B Condition A
Soldering	Profile available upon request

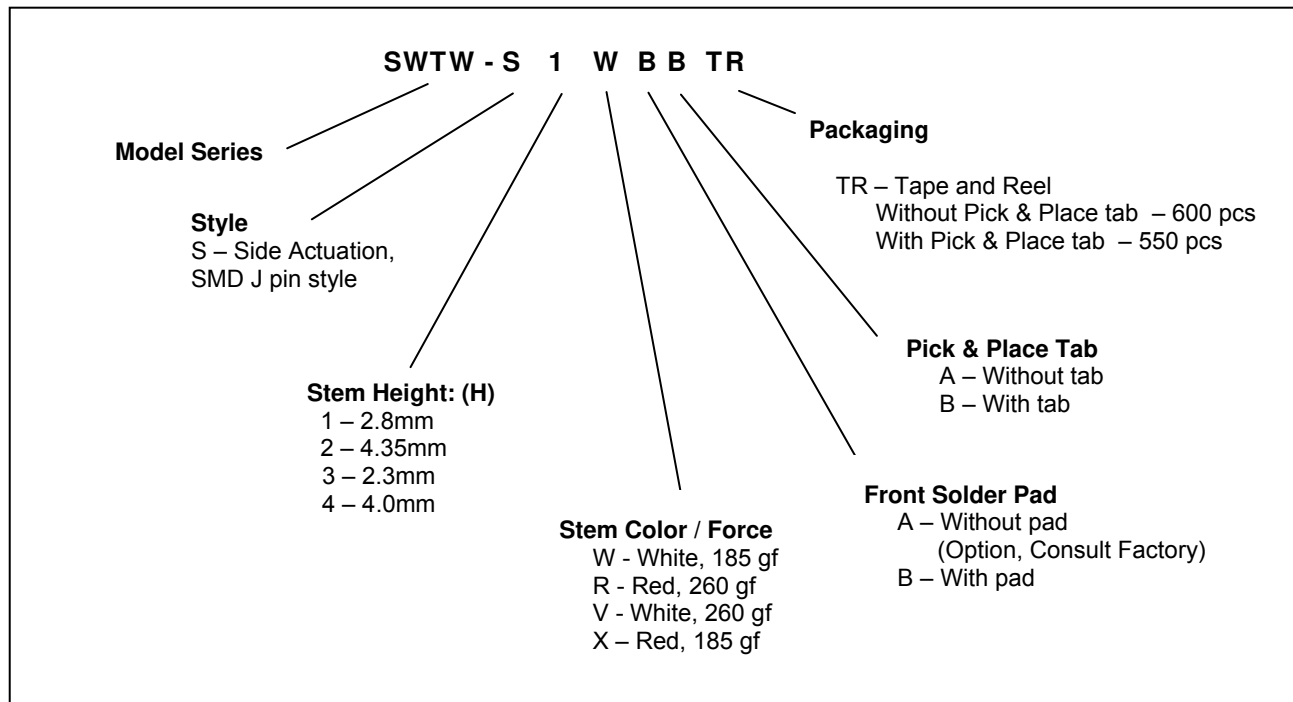
# MODEL SWTW

## ORDERING INFORMATION<sup>1</sup>

6 x 6 mm (G, X, J, and H styles only)



6 x 6 mm (S style only)

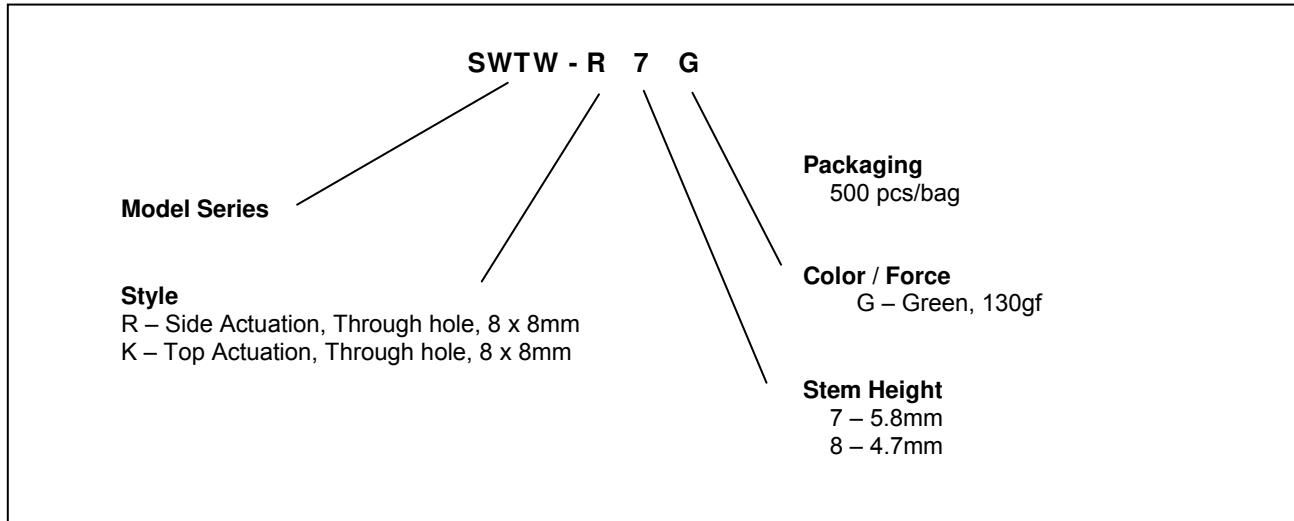


<sup>1</sup> Contact our customer service for custom designs and features.

# MODEL SWTW

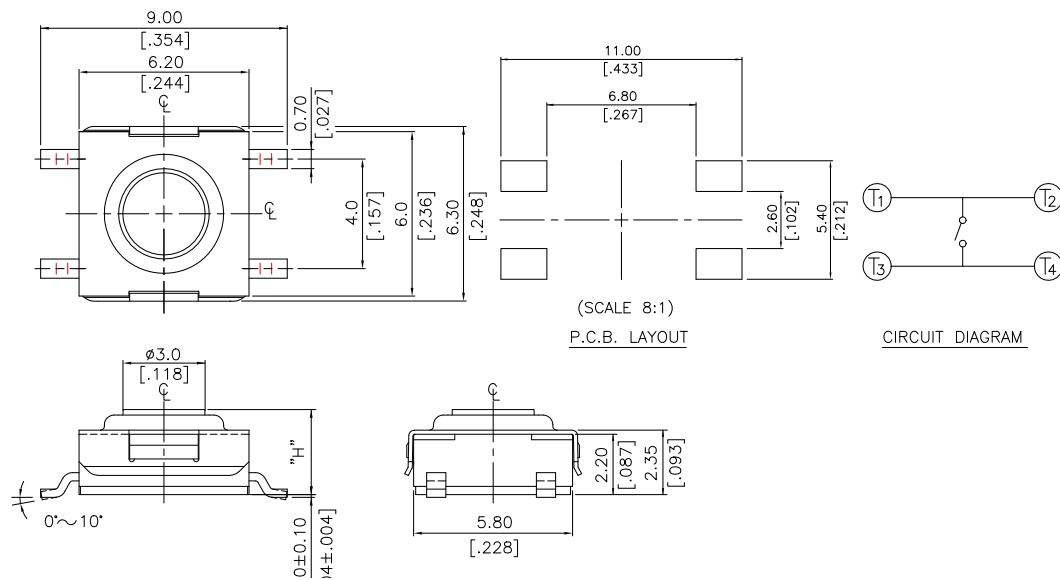
## ORDERING INFORMATION

8 x 8 mm (R and K styles only)



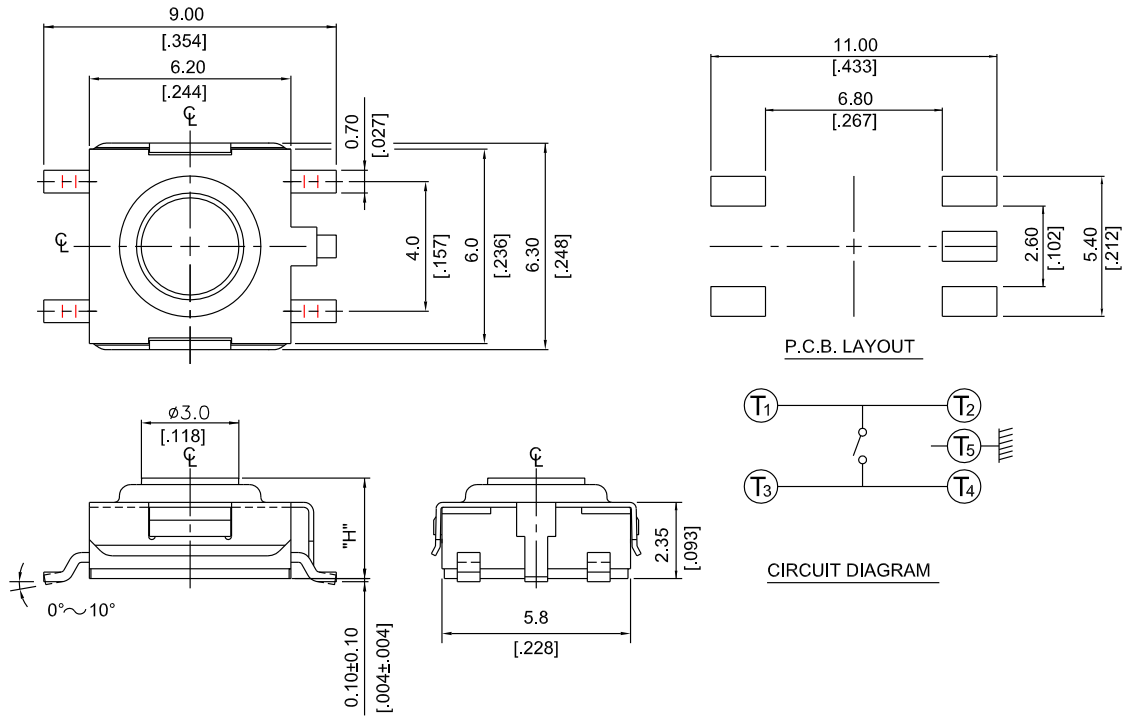
## OUTLINE DRAWINGS

**Model SWTW-G (Top Actuation, SMD G pin style, 6 x 6 mm)**

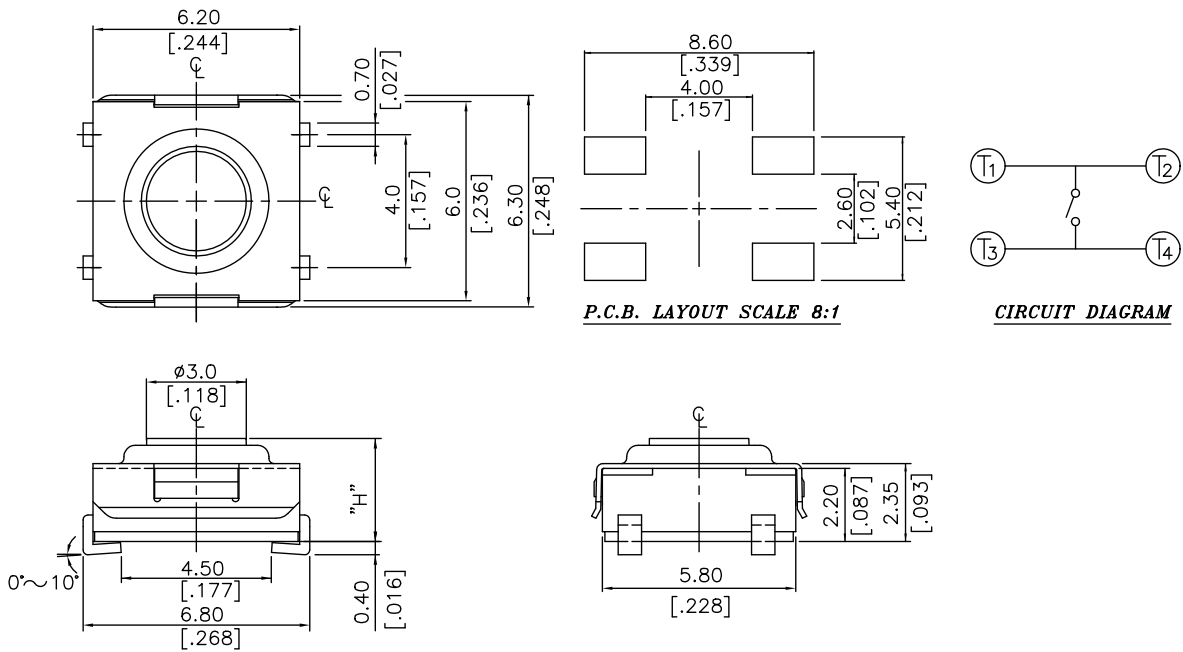


# MODEL SWTW

Model SWTW-X (Top Actuation, SMD G pin style with ground, 6 x 6 mm, Stem Height 2, H = 3.1 mm)

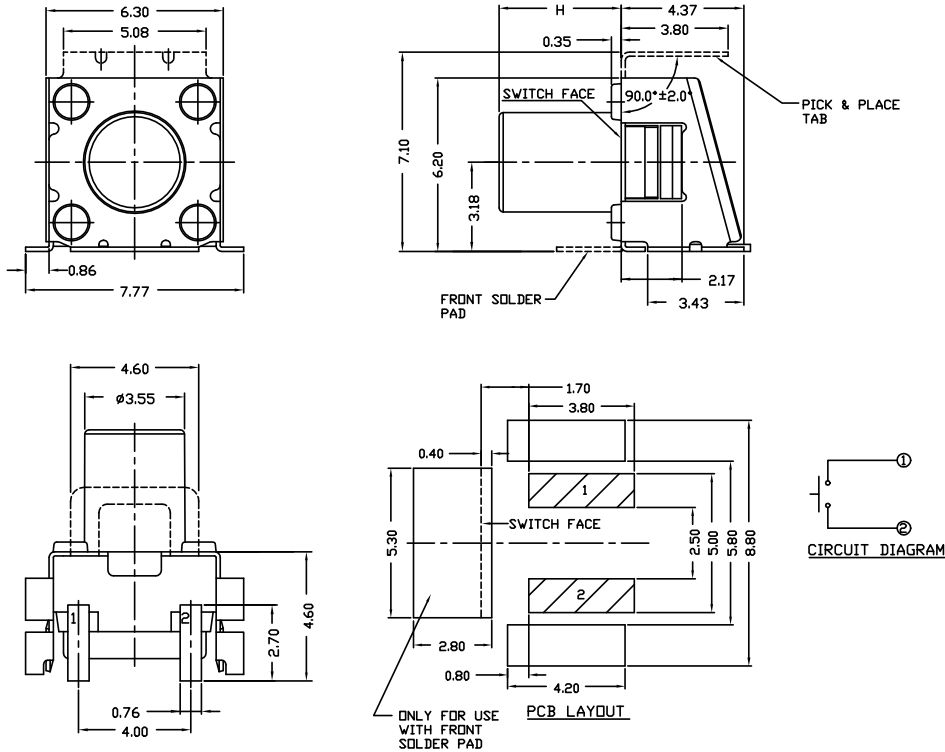


Model SWTW-J (Top Actuation, SMD J pin style, 6 x 6 mm)

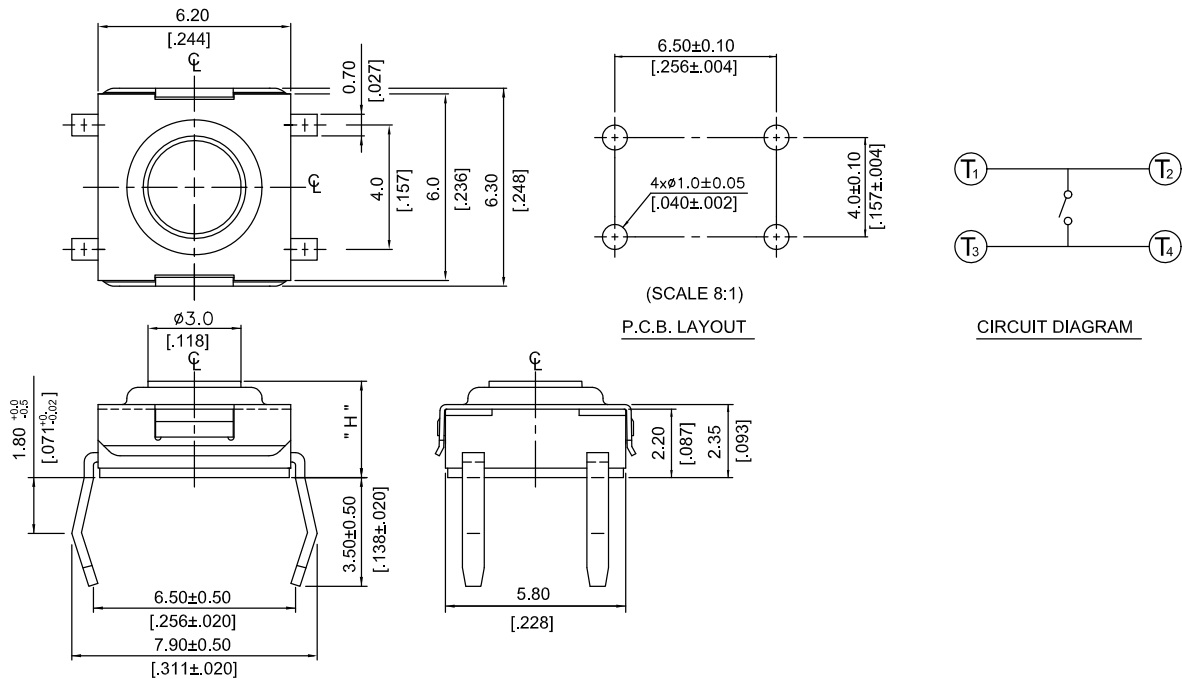


# MODEL SWTW

## Model SWTW-S (Side Actuation, SMD J pin style , 6 x 6 mm)

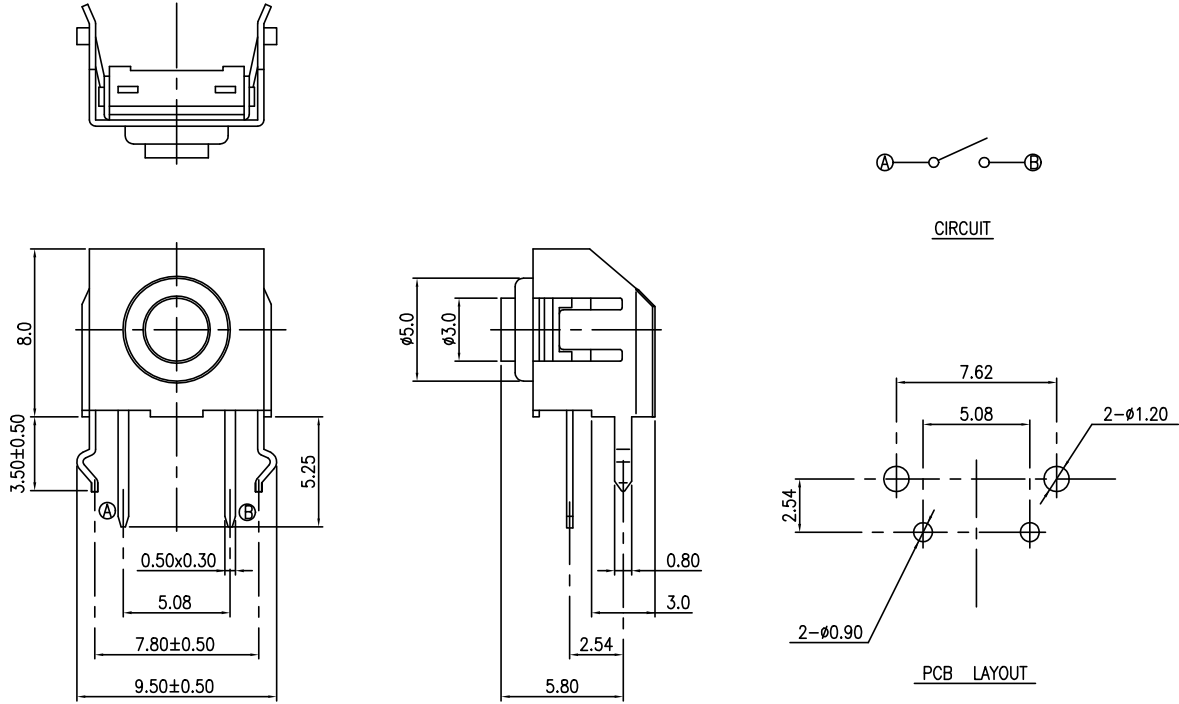


## Model SWTW-H (Top Actuation, Through hole, 6 x 6 mm)



# MODEL SWTW

## Model SWTW-R (Side Actuation, Through hole, 8 x 8mm)



## Model SWTW-K (Top Actuation, Through hole, 8 x 8mm)

