



Chipsmall Limited consists of a professional team with an average of over 10 year of expertise in the distribution of electronic components. Based in Hongkong, we have already established firm and mutual-benefit business relationships with customers from,Europe,America and south Asia,supplying obsolete and hard-to-find components to meet their specific needs.

With the principle of “Quality Parts,Customers Priority,Honest Operation,and Considerate Service”,our business mainly focus on the distribution of electronic components. Line cards we deal with include Microchip,ALPS,ROHM,Xilinx,Pulse,ON,Everlight and Freescale. Main products comprise IC,Modules,Potentiometer,IC Socket,Relay,Connector.Our parts cover such applications as commercial,industrial, and automotives areas.

We are looking forward to setting up business relationship with you and hope to provide you with the best service and solution. Let us make a better world for our industry!



Contact us

Tel: +86-755-8981 8866 Fax: +86-755-8427 6832

Email & Skype: info@chipsmall.com Web: www.chipsmall.com

Address: A1208, Overseas Decoration Building, #122 Zhenhua RD., Futian, Shenzhen, China



250 V / 500 V High Voltage 3-phase Motor Driver ICs SX6800xMH Series

Data Sheet

Description

The SX6800xMH series are high voltage 3-phase motor driver ICs in which transistors, a pre-driver IC (MIC), and bootstrap circuits (diodes and resistors) are highly integrated.

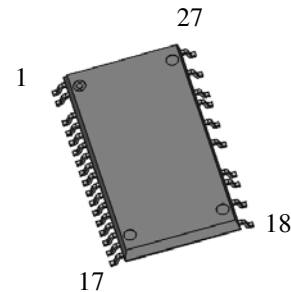
These products can optimally control the inverter systems of small- to medium-capacity motors that require universal input standards.

Features

- Built-in Bootstrap Diodes with Current Limiting Resistors (60 Ω)
- CMOS-compatible Input (3.3 V or 5 V)
- Bare Lead Frame: Pb-free (RoHS Compliant)
- Fault Signal Output at Protection Activation (FO Pin)
- High-side Shutdown Signal Input (SD Pin)
- Protections Include:
 - Overcurrent Limit (OCL): Auto-restart
 - Overcurrent Protection (OCP): Auto-restart
 - Undervoltage Lockout for Power Supply High-side (UVLO_VB): Auto-restart
 - Low-side (UVLO_VCC): Auto-restart
 - Thermal Shutdown (TSD): Auto-restart

Package

SOP27

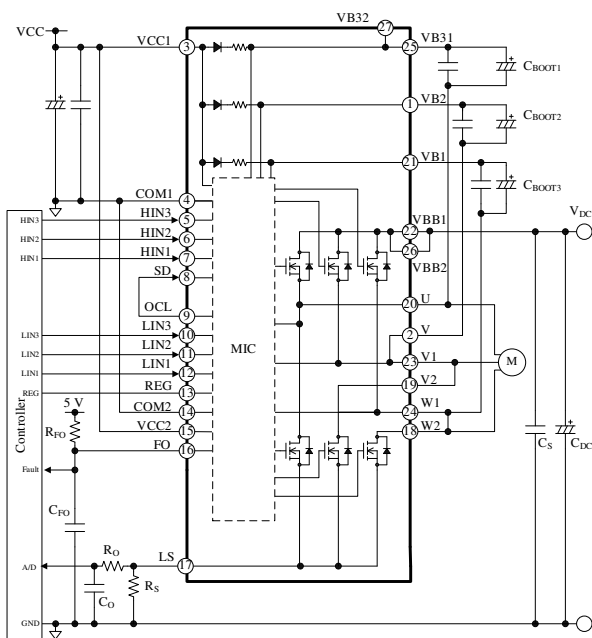


Not to scale

Selection Guide

V _{DSS}	I _O	Part Number
250 V	2.0 A	SX68001MH
500 V	1.5 A	SX68002MH
	2.5 A	SX68003MH

Typical Application



Applications

- Fan Motor for Air Conditioner
- Fan Motor for Air Purifier and Electric Fan

Contents

Description	1
Contents	2
1. Absolute Maximum Ratings	4
2. Recommended Operating Conditions	5
3. Electrical Characteristics	6
3.1 Characteristics of Control Parts	6
3.2 Bootstrap Diode Characteristics	7
3.3 Thermal Resistance Characteristics	7
3.4 Transistor Characteristics	8
3.4.1 SX68001MH	9
3.4.2 SX68002MH	9
3.4.3 SX68003MH	10
4. Mechanical Characteristics	10
5. Truth Table	11
6. Block Diagram	12
7. Pin Configuration Definitions	13
8. Typical Application	14
9. Physical Dimensions	15
10. Marking Diagram	16
11. Functional Descriptions	17
11.1 Turning On and Off the IC	17
11.2 Pin Descriptions	17
11.2.1 U, V, V1, V2, W1, and W2	17
11.2.2 VB1, VB2, VB31, and VB32	17
11.2.3 VCC1 and VCC2	18
11.2.4 COM1 and COM2	18
11.2.5 REG	19
11.2.6 HIN1, HIN2, and HIN3; LIN1, LIN2, and LIN3	19
11.2.7 VBB1 and VBB2	19
11.2.8 LS	20
11.2.9 OCL	20
11.2.10 SD	20
11.2.11 FO	20
11.3 Protections	20
11.3.1 Fault Signal Output	21
11.3.2 Shutdown Signal Input	21
11.3.3 Undervoltage Lockout for Power Supply (UVLO)	21
11.3.4 Overcurrent Limit (OCL)	22
11.3.5 Overcurrent Protection (OCP)	23
11.3.6 Thermal Shutdown (TSD)	23
12. Design Notes	24
12.1 PCB Pattern Layout	24
12.2 Considerations in IC Characteristics Measurement	24
13. Calculating Power Losses and Estimating Junction Temperature	25
13.1 Power MOSFET	25
13.1.1 Power MOSFET Steady-state Loss, P_{RON}	25
13.1.2 Power MOSFET Switching Loss, P_{SW}	26
13.1.3 Body Diode Steady-state Loss, P_{SD}	26
13.1.4 Estimating Junction Temperature of Power MOSFET	26

14. Performance Curves	27
14.1 Transient Thermal Resistance Curves	27
14.2 Performance Curves of Control Parts	28
14.3 Performance Curves of Output Parts	34
14.3.1 Output Transistor Performance Curves	34
14.3.2 Switching Losses	35
14.4 Allowable Effective Current Curves	37
14.4.1 SX68001MH	37
14.4.2 SX68002MH	38
14.4.3 SX68003MH	39
15. Pattern Layout Example	40
16. Typical Motor Driver Application	42
Important Notes	43

SX6800xMH Series

1. Absolute Maximum Ratings

Current polarities are defined as follows: current going into the IC (sinking) is positive current (+); current coming out of the IC (sourcing) is negative current (-).

Unless specifically noted, $T_A = 25\text{ }^{\circ}\text{C}$, COM1 = COM2 = COM.

Parameter	Symbol	Conditions	Rating	Unit	Remarks
Main Supply Voltage (DC)	V_{DC}	VBBx-LS	200	V	SX68001MH
			400		SX68002MH SX68003MH
Main Supply Voltage (Surge)	$V_{DC(SURGE)}$	VBBx-LS	250	V	SX68001MH
			500		SX68002MH SX68003MH
Power MOSFET Breakdown Voltage	V_{DSS}	$V_{CC} = 15\text{ V}$, $I_D = 100\text{ }\mu\text{A}$, $V_{IN} = 0\text{ V}$	250	V	SX68001MH
		$V_{CC} = 15\text{ V}$, $I_D = 100\text{ }\mu\text{A}$, $V_{IN} = 0\text{ V}$	500		SX68002MH
		$V_{CC} = 15\text{ V}$, $I_D = 100\text{ }\mu\text{A}$, $V_{IN} = 0\text{ V}$	500		SX68003MH
Logic Supply Voltage	V_{CC}	VCC1-COM1, VCC2-COM2	20	V	
	V_{BS}	VB1-U; VB2-V, VB2-V1; VB31-W1, VB32-W1	20		
Output Current (DC) ⁽¹⁾	I_O	$T_C = 25\text{ }^{\circ}\text{C}$	2	A	SX68001MH
			1.5		SX68002MH
			2.5		SX68003MH
Output Current (Pulse)	I_{OP}	$T_C = 25\text{ }^{\circ}\text{C}$, $P_W \leq 100\text{ }\mu\text{s}$	3	A	SX68001MH
			2.25		SX68002MH
			3.75		SX68003MH
Regulator Output Current	I_{REG}		35	mA	
Input Voltage	V_{IN}	HINx, LINx, FO, SD	-0.5 to 7	V	
Allowable Power Dissipation	P_D	$T_C = 25\text{ }^{\circ}\text{C}$	3	W	
Operating Case Temperature ⁽²⁾	$T_{C(OP)}$		-20 to 100	$^{\circ}\text{C}$	
Junction Temperature ⁽³⁾	T_J		150	$^{\circ}\text{C}$	
Storage Temperature	T_{STG}		-40 to 150	$^{\circ}\text{C}$	

⁽¹⁾ Should be derated depending on an actual case temperature. See Section 14.4.

⁽²⁾ Refers to a case temperature measured during IC operation.

⁽³⁾ Refers to the junction temperature of each chip built in the IC, including the controller IC (MIC), transistors, and fast recovery diodes.

SX6800xMH Series

2. Recommended Operating Conditions

Unless specifically noted, COM1 = COM2 = COM.

Parameter	Symbol	Conditions	Min.	Typ.	Max.	Unit	Remarks
Main Supply Voltage	V_{DC}	VBBx-LS	—	140	200	V	SX68001MH
		VBBx-LS	—	300	400		SX68002MH SX68003MH
Logic Supply Voltage	V_{CC}	VCC1-COM1, VCC2-COM2	13.5	—	16.5	V	
	V_{BS}	VB1-U; VB2-V, VB2-V1; VB31-W1, VB32-W1	13.5	—	16.5	V	
Input Voltage (HINx, LINx, SD, FO)	V_{IN}		0	—	5.5	V	
Minimum Input Pulse Width	$t_{IN(MIN)ON}$		0.5	—	—	μ s	
	$t_{IN(MIN)OFF}$		0.5	—	—	μ s	
Dead Time of Input Signal	t_{DEAD}		1.5	—	—	μ s	
FO Pin Pull-up Resistor	R_{FO}		3.3	—	10	k Ω	
FO Pin Pull-up Voltage	V_{FO}		3.0	—	5.5	V	
FO Pin Noise Filter Capacitor	C_{FO}		0.001	—	0.01	μ F	
Bootstrap Capacitor	C_{BOOT}		1	—	—	μ F	
Shunt Resistor	R_S	$I_P \leq 3$ A	0.37	—	—	Ω	SX68001MH
		$I_P \leq 2.25$ A	0.5	—	—		SX68002MH
		$I_P \leq 3.75$ A	0.3	—	—		SX68003MH
RC Filter Resistor	R_O		—	—	100	Ω	
RC Filter Capacitor	C_O		1000	—	10000	pF	
PWM Carrier Frequency	f_C		—	—	20	kHz	
Operating Case Temperature	$T_{C(OP)}$		—	—	100	$^{\circ}$ C	

SX6800xMH Series

3. Electrical Characteristics

Current polarities are defined as follows: current going into the IC (sinking) is positive current (+); current coming out of the IC (sourcing) is negative current (-).

Unless specifically noted, $T_A = 25\text{ }^\circ\text{C}$, $V_{CC} = 15\text{ V}$, $\text{COM1} = \text{COM2} = \text{COM}$.

3.1 Characteristics of Control Parts

Parameter	Symbol	Conditions	Min.	Typ.	Max.	Unit	Remarks
Power Supply Operation							
Logic Operation Start Voltage	$V_{CC(ON)}$	VCC1-COM1, VCC2-COM2	10.5	11.5	12.5	V	
	$V_{BS(ON)}$	VB1-U; VB2-V, VB2-V1; VB31-W1, VB32-W1	9.5	10.5	11.5	V	
Logic Operation Stop Voltage	$V_{CC(OFF)}$	VCC1-COM1, VCC2-COM2	10.0	11.0	12.0	V	
	$V_{BS(OFF)}$	VB1-U; VB2-V, VB2-V1; VB31-W1, VB32-W1	9.0	10.0	11.0	V	
Logic Supply Current	I_{CC}	$I_{REG} = 0\text{ A}$	—	4.6	8.5	mA	
	I_{BS}	$HIN_x = 5\text{ V}$; VB_x pin current in 1-phase operation	—	140	400	μA	
Input Signal							
High Level Input Threshold Voltage (HIN_x , LIN_x , SD)	V_{IH}	Output ON	—	2.0	2.5	V	
Low Level Input Threshold Voltage (HIN_x , LIN_x , SD)	V_{IL}	Output OFF	1.0	1.5	—	V	
FO Pin High Level Input Threshold Voltage	$V_{IH(FO)}$	Output ON	—	2.0	2.5	V	
FO Pin Low Level Input Threshold Voltage	$V_{IL(FO)}$	Output OFF	1.0	1.5	—	V	
High Level Input Current (HIN_x , LIN_x)	I_{IH}	$V_{IN} = 5\text{ V}$	—	230	500	μA	
Low Level Input Current (HIN_x , LIN_x)	I_{IL}	$V_{IN} = 0\text{ V}$	—	—	2	μA	
Fault Signal Output							
FO Pin Voltage at Fault Signal Output	V_{FOL}	$V_{FO} = 5\text{ V}$, $R_{FO} = 10\text{ k}\Omega$	0	—	0.5	V	
FO Pin Voltage in Normal Operation	V_{FOH}	$V_{FO} = 5\text{ V}$, $R_{FO} = 10\text{ k}\Omega$	4.8	—	—	V	
Protection							
OCL Pin Output Voltage (L)	$V_{OCL(L)}$		0	—	0.5	V	
OCL Pin Output Voltage (H)	$V_{OCL(H)}$		4.5	—	5.5	V	
Current Limit Reference Voltage	V_{LIM}		0.6175	0.6500	0.6825	V	
OCP Threshold Voltage	V_{TRIP}		0.9	1.0	1.1	V	
OCP Hold Time	t_p		20	25	—	μs	

SX6800xMH Series

Parameter	Symbol	Conditions	Min.	Typ.	Max.	Unit	Remarks
OCP Blanking Time	$t_{BK(OCP)}$		—	2	3.5	μs	
Current Limit Blanking Time	$t_{BK(OCL)}$		—	2	3.5	μs	
TSD Operating Temperature	T_{DH}	$I_{REG} = 0 \text{ mA}$; without heatsink	135	150	165	$^{\circ}\text{C}$	
TSD Releasing Temperature	T_{DL}	$I_{REG} = 0 \text{ mA}$; without heatsink	105	120	135	$^{\circ}\text{C}$	
Regulator Output Voltage	V_{REG}	$I_{REG} = 0 \text{ mA}$ to 35 mA	6.75	7.5	8.25	V	

3.2 Bootstrap Diode Characteristics

Parameter	Symbol	Conditions	Min.	Typ.	Max.	Unit	Remarks
Bootstrap Diode Leakage Current	I_{LBD}	$V_R = 250 \text{ V}$	—	—	10	μA	SX68001MH
		$V_R = 500 \text{ V}$	—	—	10		SX68002MH
		$V_R = 500 \text{ V}$	—	—	10		SX68003MH
Bootstrap Diode Forward Voltage	V_{FB}	$I_{FB} = 0.15 \text{ A}$	—	1.0	1.3	V	
Bootstrap Diode Series Resistor	R_{BOOT}		48	60	72	Ω	

3.3 Thermal Resistance Characteristics

Parameter	Symbol	Conditions	Min.	Typ.	Max.	Unit	Remarks
Junction-to-Case Thermal Resistance ⁽¹⁾	R_{J-C}	All power MOSFETs operating	—	—	10	$^{\circ}\text{C}/\text{W}$	
Junction-to-Ambient Thermal Resistance	R_{J-A}	All power MOSFETs operating	—	—	35	$^{\circ}\text{C}/\text{W}$	

⁽¹⁾ Refers to a case temperature at the measurement point described in Figure 3-1. Mounted on a CEM-3 glass (1.6 mm in thickness, 35 μm in copper foil thickness), and measured under natural air cooling without silicone potting.

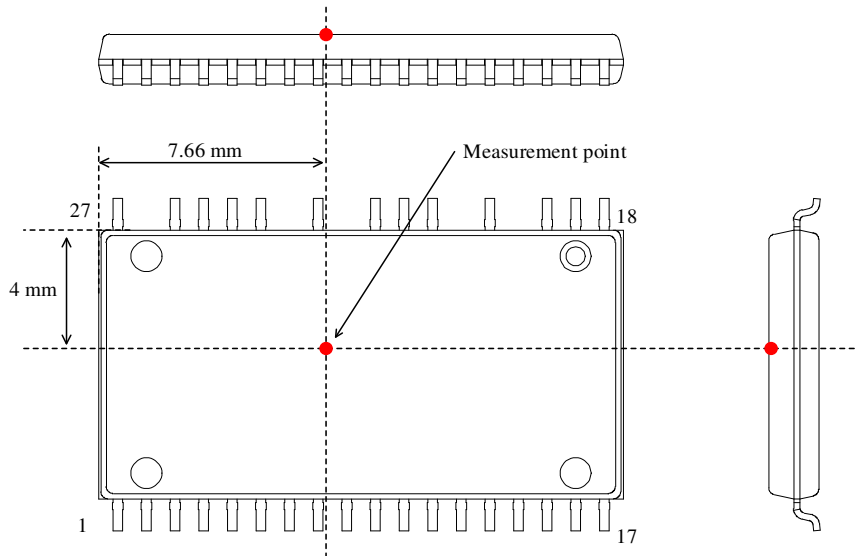


Figure 3-1. Case Temperature Measurement Point

3.4 Transistor Characteristics

Figure 3-2 provides the definitions of switching characteristics described in this and the following sections.

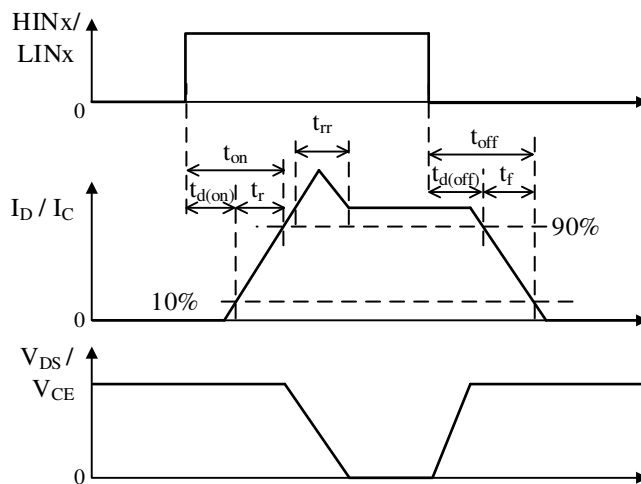


Figure 3-2. Switching Characteristics Definitions

SX6800xMH Series

3.4.1 SX68001MH

Parameter	Symbol	Conditions	Min.	Typ.	Max.	Unit
Drain-to-Source Leakage Current	I_{DSS}	$V_{DS} = 250 \text{ V}, V_{IN} = 0 \text{ V}$	—	—	100	μA
Drain-to-Source On-resistance	$R_{DS(ON)}$	$I_D = 1.0 \text{ A}, V_{IN} = 5 \text{ V}$	—	1.25	1.5	Ω
Source-to-Drain Diode Forward Voltage	V_{SD}	$I_{SD} = 1.0 \text{ A}, V_{IN} = 0 \text{ V}$	—	1.1	1.5	V
High-side Switching						
Source-to-Drain Diode Reverse Recovery Time	t_{rr}	$V_{DC} = 150 \text{ V},$ $V_{CC} = 15 \text{ V},$ $I_D = 1.0 \text{ A},$ $V_{IN} = 0 \rightarrow 5 \text{ V or } 5 \rightarrow 0 \text{ V},$ $T_J = 25 \text{ }^\circ\text{C},$ inductive load	—	75	—	ns
Turn-on Delay Time	$t_{d(on)}$		—	800	—	ns
Rise Time	t_r		—	45	—	ns
Turn-off Delay Time	$t_{d(off)}$		—	720	—	ns
Fall Time	t_f		—	40	—	ns
Low-side Switching						
Source-to-Drain Diode Reverse Recovery Time	t_{rr}	$V_{DC} = 150 \text{ V},$ $V_{CC} = 15 \text{ V},$ $I_D = 1.0 \text{ A},$ $V_{IN} = 0 \rightarrow 5 \text{ V or } 5 \rightarrow 0 \text{ V},$ $T_J = 25 \text{ }^\circ\text{C},$ inductive load	—	70	—	ns
Turn-on Delay Time	$t_{d(on)}$		—	750	—	ns
Rise Time	t_r		—	50	—	ns
Turn-off Delay Time	$t_{d(off)}$		—	660	—	ns
Fall Time	t_f		—	20	—	ns

3.4.2 SX68002MH

Parameter	Symbol	Conditions	Min.	Typ.	Max.	Unit
Drain-to-Source Leakage Current	I_{DSS}	$V_{DS} = 500 \text{ V}, V_{IN} = 0 \text{ V}$	—	—	100	μA
Drain-to-Source On-resistance	$R_{DS(ON)}$	$I_D = 0.75 \text{ A}, V_{IN} = 5 \text{ V}$	—	3.2	4.0	Ω
Source-to-Drain Diode Forward Voltage	V_{SD}	$I_{SD} = 0.75 \text{ A}, V_{IN} = 0 \text{ V}$	—	1.0	1.5	V
High-side Switching						
Source-to-Drain Diode Reverse Recovery Time	t_{rr}	$V_{DC} = 300 \text{ V},$ $V_{CC} = 15 \text{ V},$ $I_D = 0.75 \text{ A},$ $V_{IN} = 0 \rightarrow 5 \text{ V or } 5 \rightarrow 0 \text{ V},$ $T_J = 25 \text{ }^\circ\text{C},$ inductive load	—	120	—	ns
Turn-on Delay Time	$t_{d(on)}$		—	810	—	ns
Rise Time	t_r		—	60	—	ns
Turn-off Delay Time	$t_{d(off)}$		—	815	—	ns
Fall Time	t_f		—	40	—	ns
Low-side Switching						
Source-to-Drain Diode Reverse Recovery Time	t_{rr}	$V_{DC} = 300 \text{ V},$ $V_{CC} = 15 \text{ V},$ $I_D = 0.75 \text{ A},$ $V_{IN} = 0 \rightarrow 5 \text{ V or } 5 \rightarrow 0 \text{ V},$ $T_J = 25 \text{ }^\circ\text{C},$ inductive load	—	110	—	ns
Turn-on Delay Time	$t_{d(on)}$		—	760	—	ns
Rise Time	t_r		—	60	—	ns
Turn-off Delay Time	$t_{d(off)}$		—	750	—	ns
Fall Time	t_f		—	30	—	ns

SX6800xMH Series

3.4.3 SX68003MH

Parameter	Symbol	Conditions	Min.	Typ.	Max.	Unit
Drain-to-Source Leakage Current	I_{DSS}	$V_{DS} = 500 \text{ V}, V_{IN} = 0 \text{ V}$	—	—	100	μA
Drain-to-Source On-resistance	$R_{DS(ON)}$	$I_D = 1.25 \text{ A}, V_{IN} = 5 \text{ V}$	—	2.0	2.4	Ω
Source-to-Drain Diode Forward Voltage	V_{SD}	$I_{SD} = 1.25 \text{ A}, V_{IN} = 0 \text{ V}$	—	1.0	1.5	V
High-side Switching						
Source-to-Drain Diode Reverse Recovery Time	t_{rr}	$V_{DC} = 300 \text{ V},$ $V_{CC} = 15 \text{ V},$ $I_D = 1.5 \text{ A},$ $V_{IN} = 0 \rightarrow 5 \text{ V or } 5 \rightarrow 0 \text{ V},$ $T_J = 25 \text{ }^\circ\text{C},$ inductive load	—	135	—	ns
Turn-on Delay Time	$t_{d(on)}$		—	940	—	ns
Rise Time	t_r		—	100	—	ns
Turn-off Delay Time	$t_{d(off)}$		—	975	—	ns
Fall Time	t_f		—	45	—	ns
Low-side Switching						
Source-to-Drain Diode Reverse Recovery Time	t_{rr}	$V_{DC} = 300 \text{ V},$ $V_{CC} = 15 \text{ V},$ $I_D = 1.5 \text{ A},$ $V_{IN} = 0 \rightarrow 5 \text{ V or } 5 \rightarrow 0 \text{ V},$ $T_J = 25 \text{ }^\circ\text{C},$ inductive load	—	135	—	ns
Turn-on Delay Time	$t_{d(on)}$		—	900	—	ns
Rise Time	t_r		—	105	—	ns
Turn-off Delay Time	$t_{d(off)}$		—	905	—	ns
Fall Time	t_f		—	35	—	ns

4. Mechanical Characteristics

Parameter	Conditions	Min.	Typ.	Max.	Unit	Remarks
Package Weight		—	1.4	—	g	

5. Truth Table

Table 5-1 is a truth table that provides the logic level definitions of operation modes.

In the case where HINx and LINx signals in each phase are high at the same time, both the high- and low-side transistors become on (simultaneous on-state). Therefore, HINx and LINx signals, the input signals for the HINx and LINx pins, require dead time setting so that such a simultaneous on-state event can be avoided.

After the IC recovers from a UVLO_VCC condition, the low-side transistors resume switching in accordance with the input logic levels of the LINx signals (level-triggered), whereas the high-side transistors resume switching at the next rising edge of an HINx signal (edge-triggered).

After the IC recovers from a UVLO_VB condition, the high-side transistors resume switching at the next rising edge of an HINx signal (edge-triggered).

Table 5-1. Truth Table for Operation Modes

Mode	HINx	LINx	High-side Transistor	Low-side Transistor
Normal Operation	L	L	OFF	OFF
	H	L	ON	OFF
	L	H	OFF	ON
	H	H	ON	ON
Shutdown Signal Input FO = "L"	L	L	OFF	OFF
	H	L	ON	OFF
	L	H	OFF	OFF
	H	H	ON	OFF
Undervoltage Lockout for High-side Power Supply (UVLO_VB)	L	L	OFF	OFF
	H	L	OFF	OFF
	L	H	OFF	ON
	H	H	OFF	ON
Undervoltage Lockout for Low-side Power Supply (UVLO_VCC)	L	L	OFF	OFF
	H	L	OFF	OFF
	L	H	OFF	OFF
	H	H	OFF	OFF
Overcurrent Protection (OCP)	L	L	OFF	OFF
	H	L	ON	OFF
	L	H	OFF	OFF
	H	H	ON	OFF
Overcurrent Limit (OCL) (OCL = SD)	L	L	OFF	OFF
	H	L	OFF	OFF
	L	H	OFF	ON
	H	H	OFF	ON
Thermal Shutdown (TSD)	L	L	OFF	OFF
	H	L	ON	OFF
	L	H	OFF	OFF
	H	H	ON	OFF

6. Block Diagram

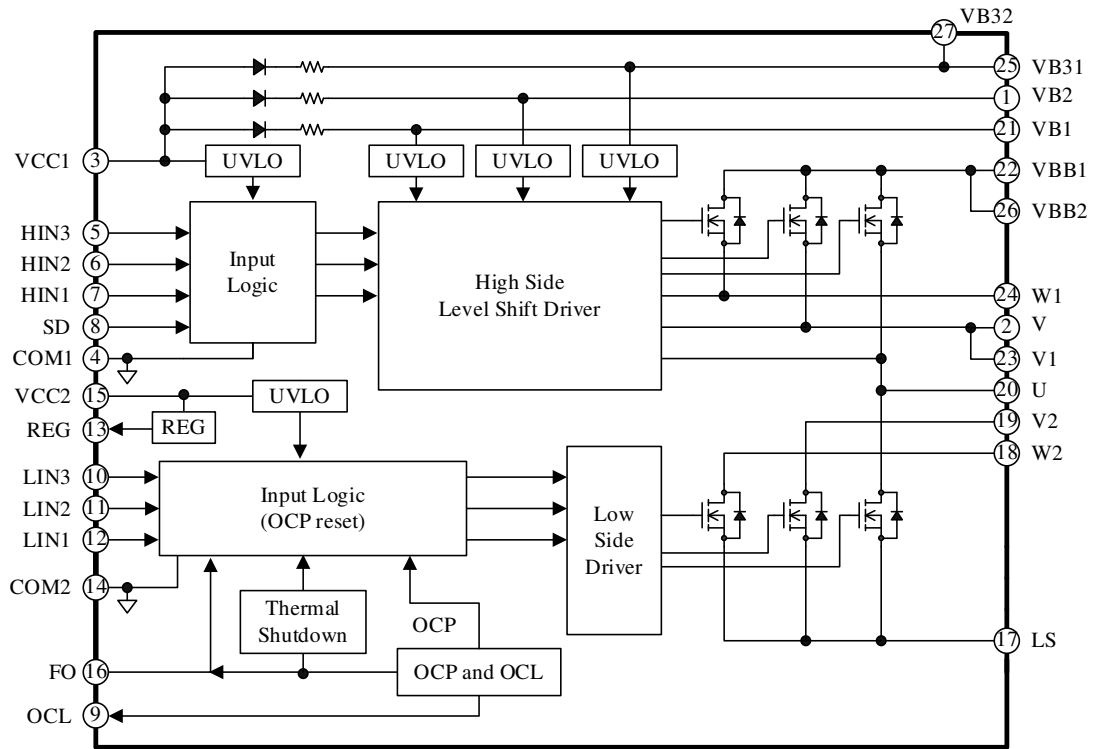
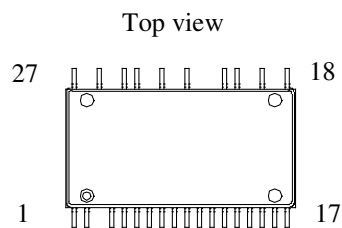
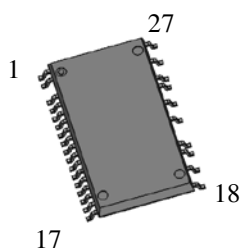


Figure 6-1. SX6800xMH Block Diagram

7. Pin Configuration Definitions



Pin Number	Pin Name	Description
1	VB2	V-phase high-side floating supply voltage input
2	V	V-phase bootstrap capacitor connection
3	VCC1	High-side logic supply voltage input
4	COM1	High-side logic ground
5	HIN3	Logic input for W-phase high-side gate driver
6	HIN2	Logic input for V-phase high-side gate driver
7	HIN1	Logic input for U-phase high-side gate driver
8	SD	High-side shutdown signal input
9	OCL	Overcurrent limit signal input
10	LIN3	Logic input for W-phase low-side gate driver
11	LIN2	Logic input for V-phase low-side gate driver
12	LIN1	Logic input for U-phase low-side gate driver
13	REG	Regulator output
14	COM2	Low-side logic ground
15	VCC2	Low-side logic supply voltage input
16	FO	Fault signal output and shutdown signal input
17	LS	Power MOSFET source
18	W2	W-phase output (connected to W1 externally)
19	V2	V-phase output (connected to V1 externally)
20	U	U-phase output
21	VB1	U-phase high-side floating supply voltage input
22	VBB1	Positive DC bus supply voltage (connected to VBB2 externally)
23	V1	V-phase output (connected to V2 externally)
24	W1	W-phase output (connected to W2 externally)
25	VB31	W-phase high-side floating supply voltage input
26	VBB2	Positive DC bus supply voltage (connected to VBB1 externally)
27	VB32	W-phase high-side floating supply voltage input

8. Typical Application

CR filters and Zener diodes should be added to your application as needed. This is to protect each pin against surge voltages causing malfunctions, and to avoid the IC being used under the conditions exceeding the absolute maximum ratings where critical damage is inevitable. Then, check all the pins thoroughly under actual operating conditions to ensure that your application works flawlessly.

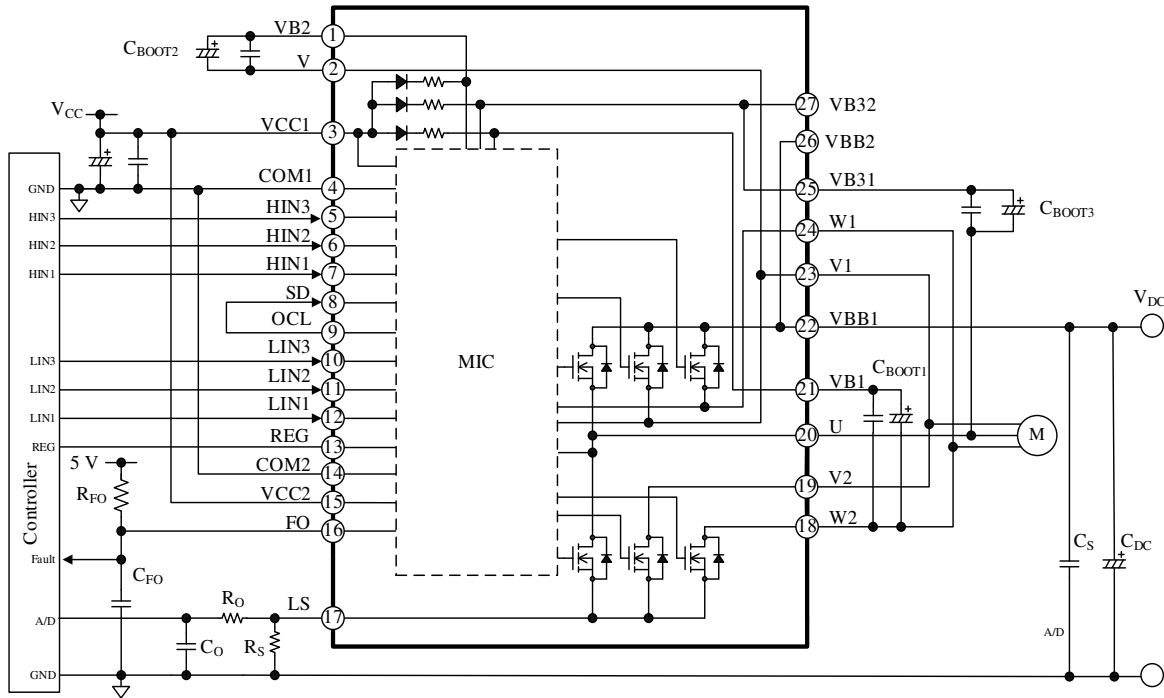
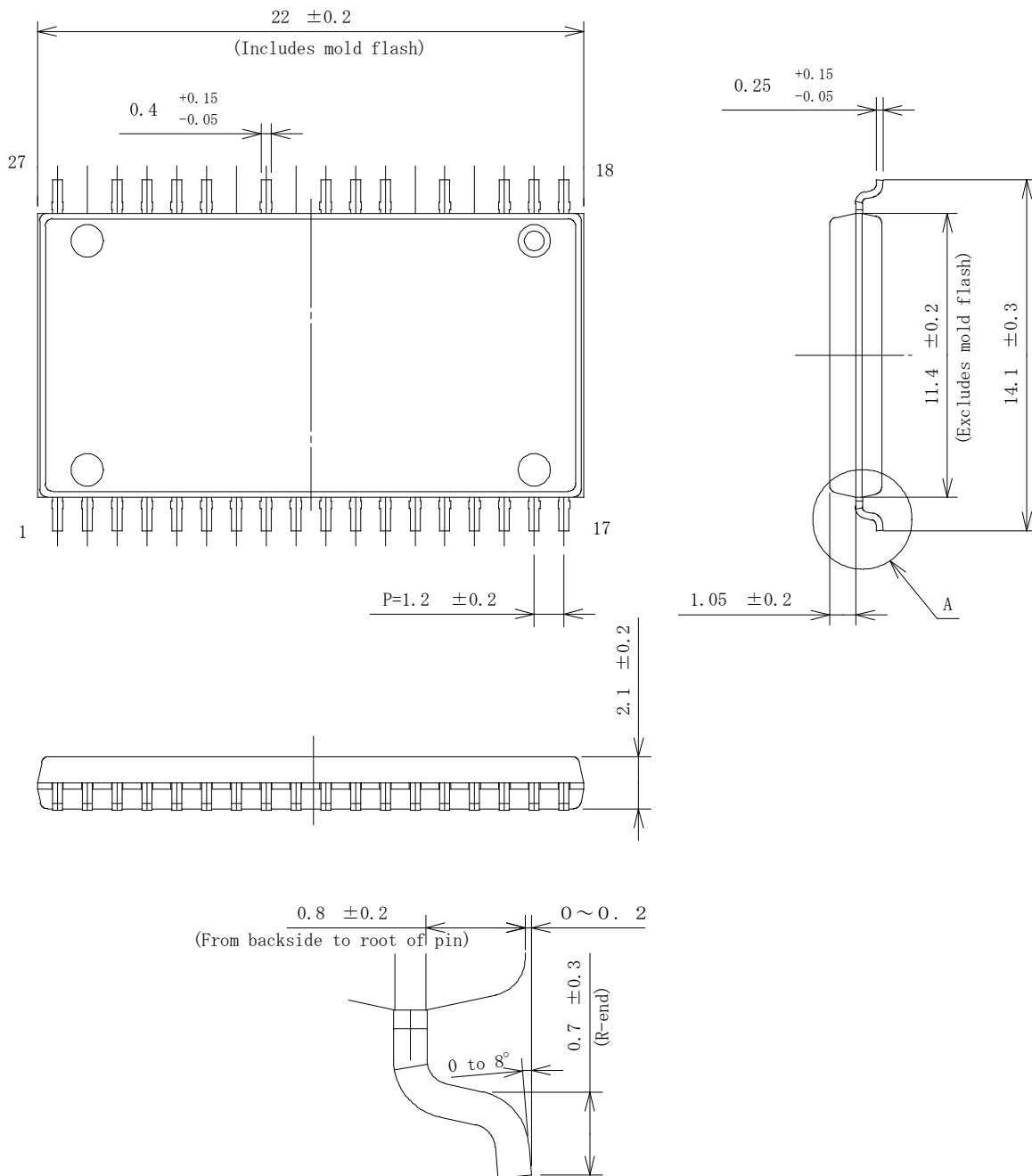


Figure 8-1. SX6800xMH Typical Application

SX6800xMH Series

9. Physical Dimensions

• SOP27 Package

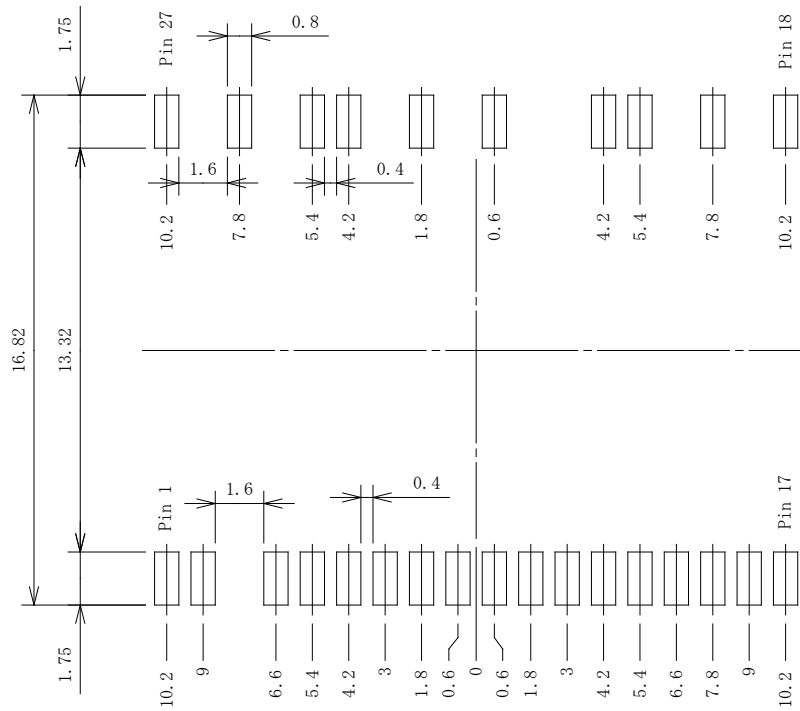


NOTES:

- Dimensions in millimeters
- Bare lead frame: Pb-free (RoHS compliant)

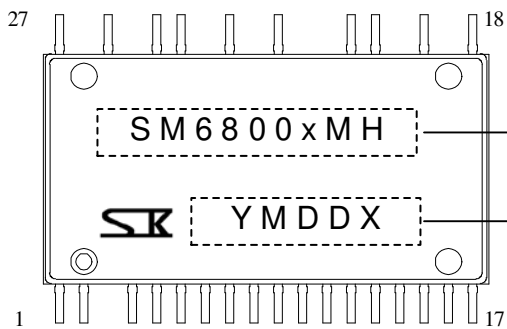
SX6800xMH Series

• Land Pattern Example



Unit: mm

10. Marking Diagram



Part Number

Lot Number:

Y is the last digit of the year of manufacture (0 to 9)

M is the month of the year (1 to 9, O, N, or D)

DD is the day of the month (01 to 31)

X is the control number

11. Functional Descriptions

Unless specifically noted, this section uses the following definitions:

- All the characteristic values given in this section are typical values.
- For pin and peripheral component descriptions, this section employs a notation system that denotes a pin name with the arbitrary letter “x”, depending on context. Thus, “the VCCx pin” is used when referring to either or both of the VCC1 and VCC2 pins.
- The COM1 pin is always connected to the COM2 pin.

11.1 Turning On and Off the IC

The procedures listed below provide recommended startup and shutdown sequences. To turn on the IC properly, do not apply any voltage on the VBBx, HINx, and LINx pins until the VCCx pin voltage has reached a stable state ($V_{CC(ON)} \geq 12.5$ V).

It is required to fully charge bootstrap capacitors, C_{BOOTx} , at startup (see Section 11.2.2).

To turn off the IC, set the HINx and LINx pins to logic low (or “L”), and then decrease the VCCx pin voltage.

11.2 Pin Descriptions

11.2.1 U, V, V1, V2, W1, and W2

These pins are the outputs of the three phases, and serve as the connection terminals to the 3-phase motor. The V1 and W1 pins must be connected to the V2 and W2 pins on a PCB, respectively.

The U, V (V1), and W1 pins are the grounds for the VB1, VB2, and VB31 pins.

The U, V, and W1 pins are connected to the negative nodes of bootstrap capacitors, C_{BOOTx} . The V pin is internally connected to the V1 pin.

Since high voltages are applied to these output pins (U, V, V1, V2, W1, and W2), it is required to take measures for insulating as follows:

- Keep enough distance between the output pins and low-voltage traces.
- Coat the output pins with insulating resin.

11.2.2 VB1, VB2, VB31, and VB32

These pins are connected to bootstrap capacitors for the high-side floating supply.

In actual applications, use either of the VB31 or VB32 pin because they are internally connected.

Voltages across the VBx and these output pins should be maintained within the recommended range (i.e., the Logic Supply Voltage, V_{BS}) given in Section 2.

A bootstrap capacitor, C_{BOOTx} , should be connected in each of the traces between the VB1 and U pins, the VB2 and V pins, the VB31 (VB32) and W1 pins.

For proper startup, turn on the low-side transistor first, then fully charge the bootstrap capacitor, C_{BOOTx} .

For the capacitance of the bootstrap capacitors, C_{BOOTx} , choose the values that satisfy Equations (1) and (2). Note that capacitance tolerance and DC bias characteristics must be taken into account when you choose appropriate values for C_{BOOTx} .

$$C_{BOOTx}(\mu F) > 800 \times t_{L(OFF)} \quad (1)$$

$$1 \mu F \leq C_{BOOTx} \leq 220 \mu F \quad (2)$$

In Equation (1), let $t_{L(OFF)}$ be the maximum off-time of the low-side transistor (i.e., the non-charging time of C_{BOOTx}), measured in seconds.

Even while the high-side transistor is off, voltage across the bootstrap capacitor keeps decreasing due to power dissipation in the IC. When the VBx pin voltage decreases to $V_{BS(OFF)}$ or less, the high-side undervoltage lockout (UVLO_VB) starts operating (see Section 11.3.3.1). Therefore, actual board checking should be done thoroughly to validate that voltage across the VBx pin maintains over 11.0 V ($V_{BS} > V_{BS(OFF)}$) during a low-frequency operation such as a startup period.

As Figure 11-1 shows, a bootstrap diode, D_{BOOTx} , and a current-limiting resistor, R_{BOOTx} , are internally placed in series between the VCC1 and VBx pins. Time constant for the charging time of C_{BOOTx} , τ , can be computed by Equation (3):

$$\tau = C_{BOOTx} \times R_{BOOTx} \quad (3)$$

where C_{BOOTx} is the optimized capacitance of the bootstrap capacitor, and R_{BOOTx} is the resistance of the current-limiting resistor ($60 \Omega \pm 20\%$).

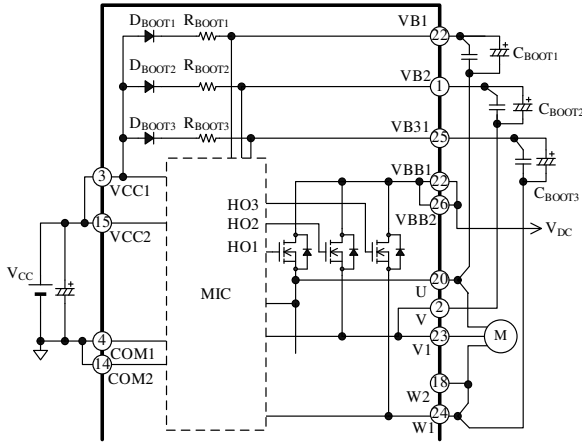


Figure 11-1. Bootstrap Circuit

Figure 11-2 shows an internal level-shifting circuit. A high-side output signal, HO_x, is generated according to an input signal on the HIN_x pin. When an input signal on the HIN_x pin transits from low to high (rising edge), a “Set” signal is generated. When the HIN_x input signal transits from high to low (falling edge), a “Reset” signal is generated. These two signals are then transmitted to the high-side by the level-shifting circuit and are input to the SR flip-flop circuit. Finally, the SR flip-flop circuit feeds an output signal, Q (i.e., HO_x).

Figure 11-3 is a timing diagram describing how noise or other detrimental effects will improperly influence the level-shifting process. When a noise-induced rapid voltage drop between the VB_x and output pins (U, V/V1 or W1; hereafter “VB_x–HS_x”) occurs after the Set signal generation, the next Reset signal cannot be sent to the SR flip-flop circuit. And the state of an HO_x signal stays logic high (or “H”) because the SR flip-flop does not respond. With the HO_x state being held high (i.e., the high-side transistor is in an on-state), the next LIN_x signal turns on the low-side transistor and causes a simultaneously-on condition, which may result in critical damage to the IC. To protect the VB_x pin against such a noise effect, add a bootstrap capacitor, C_{BOOT_x}, in each phase. C_{BOOT_x} must be placed near the IC, and be connected between the VB_x and HS_x pins with a minimal length of traces. To use an electrolytic capacitor, add a 0.01 μF to 0.1 μF bypass capacitor, C_{P_x}, in parallel near these pins used for the same phase.

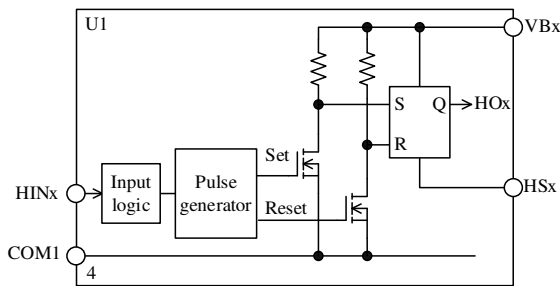


Figure 11-2. Internal Level-shifting Circuit

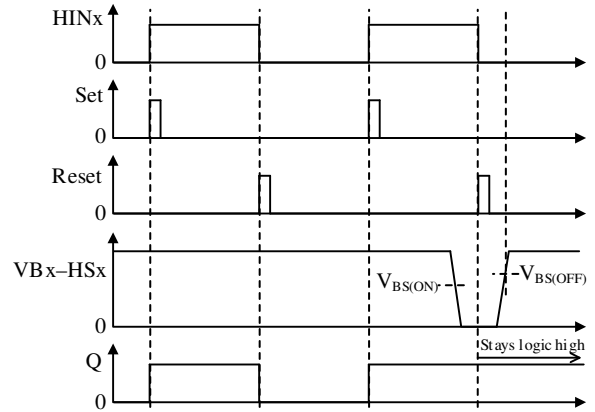


Figure 11-3. Waveforms at VB_x–HS_x Voltage Drop

11.2.3 VCC1 and VCC2

These are the power supply pins for the built-in control IC. The VCC1 and VCC2 pins must be externally connected on a PCB because they are not internally connected. To prevent malfunction induced by supply ripples or other factors, put a 0.01 μF to 0.1 μF ceramic capacitor, C_{VCC}, near these pins. To prevent damage caused by surge voltages, put an 18 V to 20 V Zener diode, DZ, between the VCC_x and COM_x pins.

Voltages to be applied between the VCC_x and COM_x pins should be regulated within the recommended operational range of V_{CC}, given in Section 2.

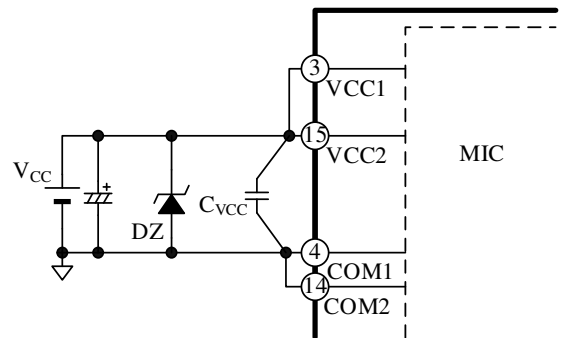


Figure 11-4. VCC_x Pin Peripheral Circuit

11.2.4 COM1 and COM2

These are the logic ground pins for the built-in control IC. The COM1 and COM2 pins should be connected externally on a PCB because they are not internally connected. Varying electric potential of the logic ground can be a cause of improper operations. Therefore, connect the logic ground as close and short as possible to shunt resistors, R_S, at a single-point ground (or star ground) which is separated from the power ground (see Figure 11-5).

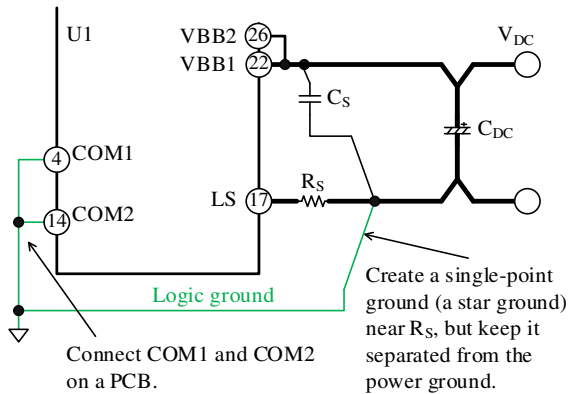


Figure 11-5. Connections to Logic Ground

11.2.5 REG

This is the 7.5 V regulator output pin, which can be used for a power supply of an external logic IC (e.g., hall-effect IC). The pin has a maximum output current of 35 mA. To stabilize the REG pin output, connect the pin to a capacitor of about 0.1 μ F.

11.2.6 HIN1, HIN2, and HIN3; LIN1, LIN2, and LIN3

These are the input pins of the internal motor drivers for each phase. The HINx pin acts as a high-side controller; the LINx pin acts as a low-side controller.

Figure 11-6 shows an internal circuit diagram of the HINx or LINx pin. This is a CMOS Schmitt trigger circuit with a built-in 20 k Ω pull-down resistor, and its input logic is active high.

Input signals applied across the HINx-COMx and the LINx-COMx pins in each phase should be set within the ranges provided in Table 11-1, below. Note that dead time setting must be done for HINx and LINx signals because the IC does not have a dead time generator.

The higher PWM carrier frequency rises, the more switching loss increases. Hence, the PWM carrier frequency must be set so that operational case temperatures and junction temperatures have sufficient margins against the absolute maximum ranges, specified in Section 1.

If the signals from the microcontroller become unstable, the IC may result in malfunctions. To avoid this event, the outputs from the microcontroller output line should not be high impedance. Also, if the traces from the microcontroller to the HINx or LINx pin (or both) are too long, the traces may be interfered by noise. Therefore, it is recommended to add an additional filter or a pull-down resistor near the HINx or LINx pin as needed (see Figure 11-7).

Here are filter circuit constants for reference:

R_{IN1x} : 33 Ω to 100 Ω

R_{IN2x} : 1 k Ω to 10 k Ω

C_{INx} : 100 pF to 1000 pF

Care should be taken when adding R_{IN1x} and R_{IN2x} to the traces. When they are connected each other, the input voltage of the HINx and LINx pins becomes slightly lower than the output voltage of the microcontroller.

Table 11-1. Input Signals for HINx and LINx Pins

Parameter	High Level Signal	Low Level Signal
Input Voltage	$3\text{ V} < V_{IN} < 5.5\text{ V}$	$0\text{ V} < V_{IN} < 0.5\text{ V}$
Input Pulse Width	$\geq 0.5\ \mu\text{s}$	$\geq 0.5\ \mu\text{s}$
PWM Carrier Frequency	$\leq 20\text{ kHz}$	
Dead Time	$\geq 1.5\ \mu\text{s}$	

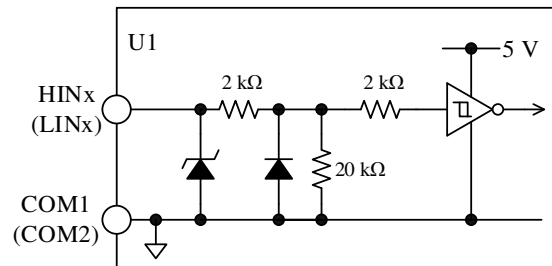


Figure 11-6. Internal Circuit Diagram of HINx or LINx Pin

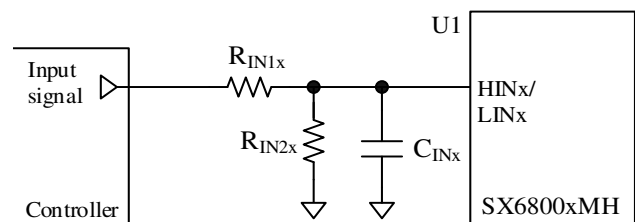


Figure 11-7. Filter Circuit for HINx or LINx Pin

11.2.7 VBB1 and VBB2

These are the input pins for the main supply voltage, i.e., the positive DC bus. All of the power MOSFET drains of the high-side are connected to these pins. Voltages between the VBBx and COM2 pins should be set within the recommended range of the main supply voltage, V_{DC} , given in Section 2.

The VBB1 and VBB2 pins should be connected externally on a PCB. To suppress surge voltages, put a

0.01 μF to 0.1 μF bypass capacitor, C_S , near the VBBx pin and an electrolytic capacitor, C_{DC} , with a minimal length of PCB traces to the VBBx pin.

11.2.8 LS

This pin is internally connected to the power MOSFET source in each phase and the overcurrent protection (OCP) circuit. For current detection, the LS pin should be connected externally on a PCB via a shunt resistor, R_S , to the COMx pin.

For more details on the OCP, see Section 11.3.5.

When connecting a shunt resistor, place it as near as possible to the IC with a minimum length of traces to the LS and COMx pins. Otherwise, malfunction may occur because a longer circuit trace increases its inductance and thus increases its susceptibility to improper operations. In applications where long PCB traces are required, add a fast recovery diode, D_{RS} , between the LS and COMx pins in order to prevent the IC from malfunctioning.

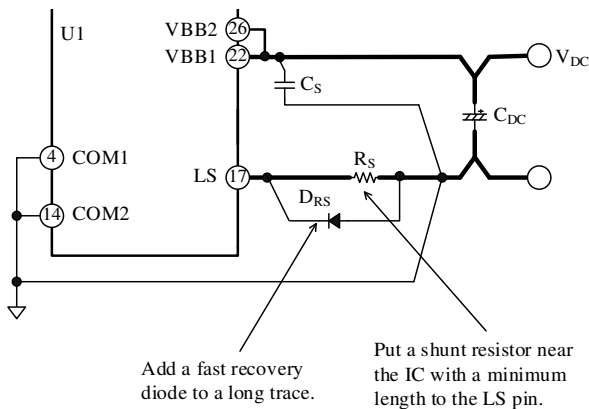


Figure 11-8. Connections to LS Pin

11.2.9 OCL

The OCL pin serves as the output of the overcurrent protections which monitor the currents going through the output transistors. In normal operation, the OCL pin logic level is low. If the OCL pin is connected to the SD pin so that the SD pin will respond to an OCL output signal, the high-side transistors can be turned off when the protections (OCP and OCL) are activated.

11.2.10 SD

When a 5 V or 3.3 V signal is input to the SD pin, the high-side transistors turn off independently of any HINx signals. This is because the SD pin does not respond to a pulse shorter than an internal filter of 3.3 μs (typ.).

The SD–OCL pin connection, as described in Section 11.2.9, allows the IC to turn off the high-side transistors

at OCL or OCP activation. Also, inputting the inverted signal of the FO pin to the SD pin permits all the high- and low-side transistors to turn off, when the IC detects an abnormal condition (i.e., some or all of the protections such as TSD, OCP, and UVLO are activated).

11.2.11 FO

This pin operates as the fault signal output and the low-side shutdown signal input. Sections 11.3.1 and 11.3.2 explain the two functions in detail, respectively. Figure 11-9 illustrates an internal circuit diagram of the FO pin and its peripheral circuit.

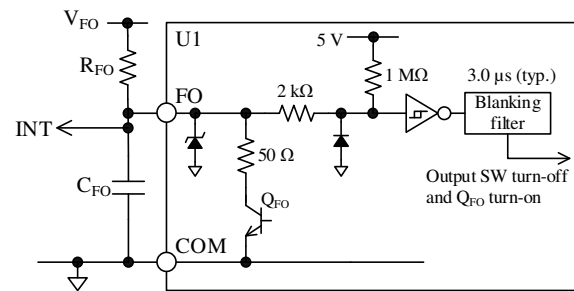


Figure 11-9. Internal Circuit Diagram of FO Pin and Its Peripheral Circuit

Because of its open-collector nature, the FO pin should be tied by a pull-up resistor, R_{FO} , to the external power supply. The external power supply voltage (i.e., the FO Pin Pull-up Voltage, V_{FO}) should range from 3.0 V to 5.5 V.

When the pull-up resistor, R_{FO} , has a too small resistance, the FO pin voltage at fault signal output becomes high due to the saturation voltage drop of a built-in transistor, Q_{FO} . Therefore, it is recommended to use a 3.3 k Ω to 10 k Ω pull-up resistor.

To suppress noise, add a filter capacitor, C_{FO} , near the IC with minimizing a trace length between the FO and COMx pins.

To avoid the repetition of OCP activations, the external microcontroller must shut off any input signals to the IC within an OCP hold time, t_p , which occurs after the internal MOSFET (Q_{FO}) turn-on. t_p is 20 μs where minimum values of thermal characteristics are taken into account. (For more details, see Section 11.3.5.) Our recommendation is to use a 0.001 μF to 0.01 μF filter capacitor.

11.3 Protections

This section describes the various protection circuits provided in the SX6800xMH series. The protection circuits include the undervoltage lockout for power supplies (UVLO), the overcurrent protection (OCP), and the thermal shutdown (TSD).

In case one or more of these protection circuits are activated, the FO pin outputs a fault signal; as a result, the external microcontroller can stop the operations of the three phases by receiving the fault signal. The external microcontroller can also shut down the IC operations by inputting a fault signal to the FO pin.

In the following functional descriptions, “HOx” denotes a gate input signal on the high-side transistor, whereas “LOx” denotes a gate input signal on the low-side transistor. “VBx–HSx” refers to the voltages between the VBx pin and output pins (U, V/V1, and W1).

11.3.1 Fault Signal Output

In case one or more of the following protections are actuated, an internal transistor, Q_{FO}, turns on, then the FO pin becomes logic low (≤ 0.5 V).

- Low-side undervoltage lockout (UVLO_VCC)
- Overcurrent protection (OCP)
- Thermal shutdown (TSD)

While the FO pin is in the low state, all the low-side transistors turn off. In normal operation, the FO pin outputs a high signal of 5 V. OCP The fault signal output time of the FO pin at OCP activation is the OCP hold time (t_p) of 25 μ s (typ.), fixed by a built-in feature of the IC itself (see Section 11.3.5). The external microcontroller receives the fault signals with its interrupt pin (INT), and must be programmed to put the HINx and LINx pins to logic low within the predetermined OCP hold time, t_p .

11.3.2 Shutdown Signal Input

The FO pin also acts as the input pin of shutdown signals. When the FO pin becomes logic low, all the low-side transistors turn off. The voltages and pulse widths of the shutdown signals to be applied between the FO and COMx pins are listed in Table 11-2.

Table 11-2. Shutdown Signals

Parameter	High Level Signal	Low Level Signal
Input Voltage	$3\text{ V} < V_{IN} < 5.5\text{ V}$	$0\text{ V} < V_{IN} < 0.5\text{ V}$
Input Pulse Width	—	$\geq 6\ \mu\text{s}$

11.3.3 Undervoltage Lockout for Power Supply (UVLO)

In case the gate-driving voltages of the output transistors decrease, their steady-state power dissipations increase. This overheating condition may cause permanent damage to the IC in the worst case. To prevent this event, the SX6800xMH series has the undervoltage lockout (UVLO) circuits for both of the high- and low-side power supplies in the monolithic IC (MIC).

11.3.3.1. Undervoltage Lockout for High-side Power Supply (UVLO_VB)

Figure 11-10 shows operational waveforms of the undervoltage lockout operation for high-side power supply (i.e., UVLO_VB).

When the voltage between the VBx and output pins (VBx–HSx) decreases to the Logic Operation Stop Voltage ($V_{BS(OFF)}$, 10.0 V) or less, the UVLO_VB circuit in the corresponding phase gets activated and sets an HOx signal to logic low.

When the voltage between the VBx and HSx pins increases to the Logic Operation Start Voltage ($V_{BS(ON)}$, 10.5 V) or more, the IC releases the UVLO_VB operation. Then, the HOx signal becomes logic high at the rising edge of the first input command after the UVLO_VB release.

Any fault signals are not output from the VFO pin during the UVLO_VB operation. In addition, the VBx pin has an internal UVLO_VB filter of about 3 μ s, in order to prevent noise-induced malfunctions.

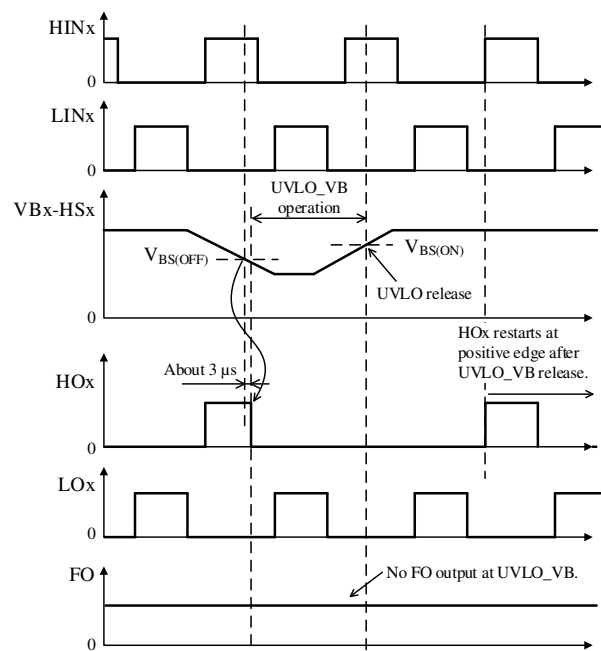


Figure 11-10. UVLO_VB Operational Waveforms

11.3.3.2. Undervoltage Lockout for Low-side Power Supply (UVLO_VCC)

Figure 11-11 shows operational waveforms of the undervoltage lockout operation for low-side power supply (i.e., UVLO_VCC).

When the VCC2 pin voltage decreases to the Logic Operation Stop Voltage ($V_{CC(OFF)}$, 11.0 V) or less, the UVLO_VCC circuit in the corresponding phase gets activated and sets both of HOx and LOx signals to logic low. When the VCC2 pin voltage increases to the Logic Operation Start Voltage ($V_{CC(ON)}$, 11.5 V) or more, the IC releases the UVLO_VCC operation.

Then, the IC resumes the following transmissions: an LOx signal according to an LINx pin input command; an HOx signal according to the rising edge of the first HINx pin input command after the UVLO_VCC release. During the UVLO_VCC operation, the FO pin becomes logic low and sends fault signals.

In addition, the VCC2 pin has an internal UVLO_VCC filter of about 3 μ s, in order to prevent noise-induced malfunctions.

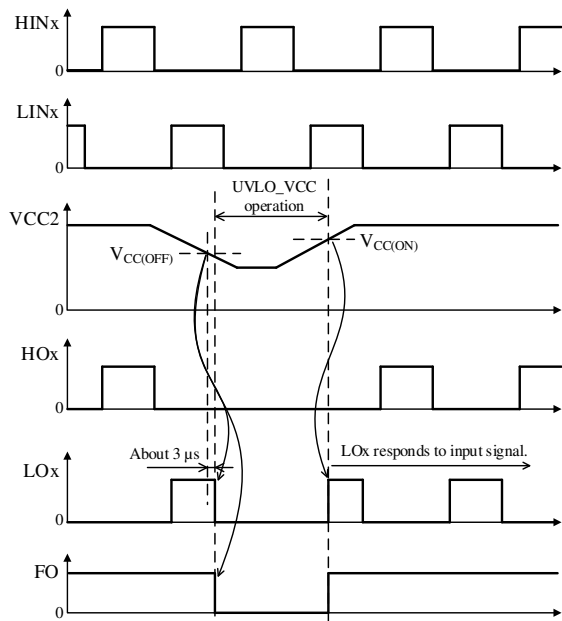


Figure 11-11. UVLO_VCC Operational Waveforms

11.3.4 Overcurrent Limit (OCL)

The overcurrent limit (OCL) is a protection against relatively low overcurrent conditions.

Figure 11-12 shows an internal circuit of the OCL pin; Figure 11-13 shows OCL operational waveforms.

When the LS pin voltage increases to the Current Limit Reference Voltage (V_{LIM} , 0.6500 V) or more, and remains in this condition for a period of the Current Limit Blanking Time ($t_{BK(OCP)}$, 2 μ s) or longer, the OCL

circuit is activated. Then, the OCL pin goes logic high.

During the OCL operation, the gate logic levels of the low-side transistors respond to an input command on the LINx pin.

To turn off the high-side transistors during the OCL operation, connect the OCL and SD pins on a PCB. The SD pin has an internal filter of about 3.3 μ s (typ.).

When the LS pin voltage falls below V_{LIM} (0.6500 V), the OCL pin logic level becomes low.

After the OCL pin logic has become low, the high-side transistors remain turned off until the first low-to-high transition on an HINx input signal occurs (i.e., edge-triggered).

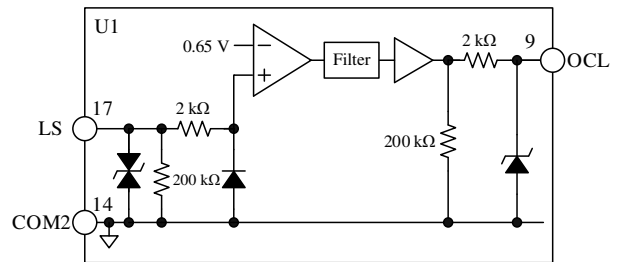


Figure 11-12. Internal Circuit Diagram of OCL Pin

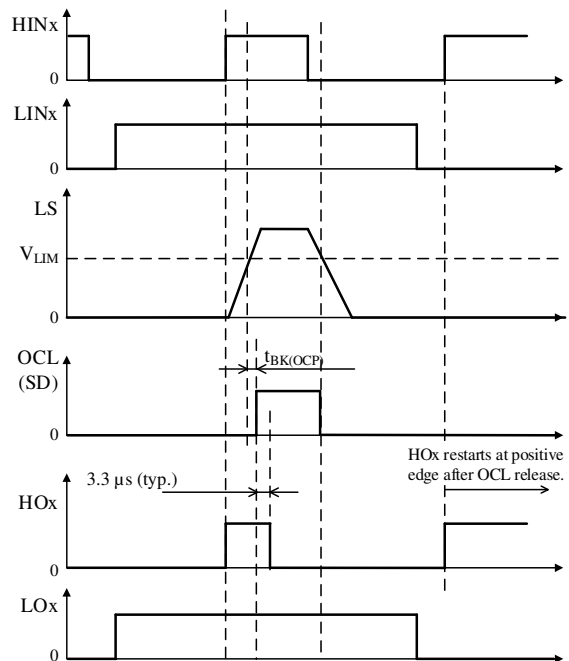


Figure 11-13. OCL Operational Waveforms (OCL = SD)

11.3.5 Overcurrent Protection (OCP)

The overcurrent protection (OCP) is a protection against large inrush currents (i.e., high di/dt). Figure 11-14 is an internal circuit diagram describing the LS pin and its peripheral circuit. The OCP circuit, which is connected to the LS pin, detects overcurrents with voltage across an external shunt resistor, R_S . Because the LS pin is internally pulled down, the LS pin voltage increases proportionally to a rise in the current running through the shunt resistor, R_S .

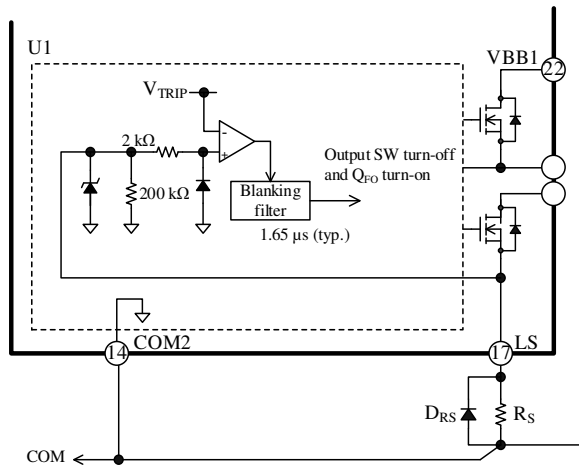


Figure 11-14. Internal Circuit Diagram of OCP Pin and Its Peripheral Circuit

Figure 11-15 is a timing chart that represents operation waveforms during OCP operation. When the LS pin voltage increases to the OCP Threshold Voltage (V_{TRIP} , 1.0 V) or more, and remains in this condition for a period of the OCP Blanking Time (t_{BK} , 2 μs) or longer, the OCP circuit is activated.

The enabled OCP circuit shuts off the low-side transistors, and puts the FO pin into a low state.

Then, output current decreases as a result of the output transistors turn-off. Even if the OCP pin voltage falls below V_{TRIP} , the IC holds the FO pin in the low state for a fixed OCP hold time (t_p) of 25 μs (typ.). Then, the output transistors operate according to input signals.

The OCP is used for detecting abnormal conditions, such as an output transistor shorted. In case short-circuit conditions occur repeatedly, the output transistors can be destroyed. To prevent such event, motor operation must be controlled by the external microcontroller so that it can immediately stop the motor when fault signals are detected. To resume IC operations thereafter, set the IC to be resumed after a lapse of ≥ 2 seconds.

For proper shunt resistor setting, your application must meet the following:

- Use the shunt resistor that has a recommended resistance, R_S (see Section 2).
- Set the LS pin input voltage to vary within the rated LS pin voltages, V_{LS} (see Section 1).

- Keep the current through the output transistors below the rated output current (pulse), I_{OP} (see Section 1).

It is required to use a resistor with low internal inductance because high-frequency switching current will flow through the shunt resistor, R_S . In addition, choose a resistor with allowable power dissipation according to your application.

Note that overcurrents are undetectable when one or more of the U, V/V1/V2, and W1/W2 pins or their traces are shorted to ground (ground fault). In case any of these pins falls into a state of ground fault, the output transistors may be destroyed.

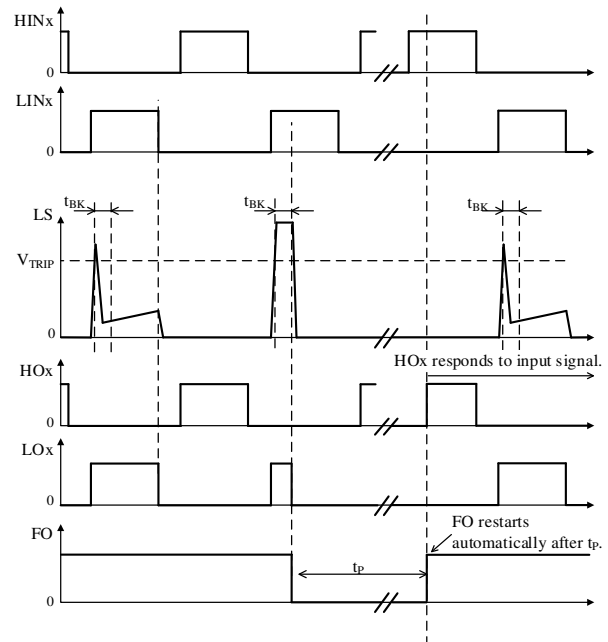


Figure 11-15. OCP Operational Waveforms

11.3.6 Thermal Shutdown (TSD)

The SX6800xMH series incorporates a thermal shutdown (TSD) circuit. Figure 11-16 shows TSD operational waveforms. In case of overheating (e.g., increased power dissipation due to overload, a rise in ambient temperature at the device, etc.), the IC shuts down the low-side output transistors.

The TSD circuit in the monolithic IC (MIC) monitors temperatures (see Section 6). When the temperature of the monolithic IC (MIC) exceeds the TSD Operating Temperature (T_{DH} , 150 °C), the TSD circuit is activated. When the temperature of the monolithic IC (MIC) decreases to the TSD Releasing Temperature (T_{DL} , 120 °C) or less, the shutdown operation is released. The transistors then resume operating according to input signals. During the TSD operation, the FO pin becomes logic low and transmits fault signals. Note that junction temperatures of the output transistors themselves are not monitored; therefore, do not use the TSD function as an overtemperature prevention for the output transistors.

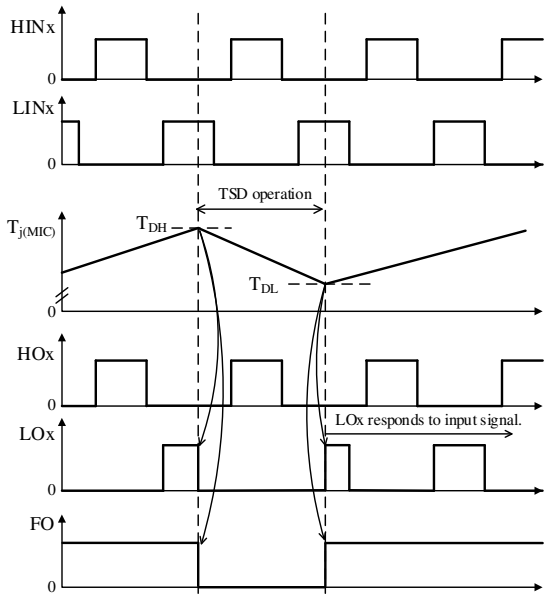


Figure 11-16. TSD Operational Waveforms

12. Design Notes

12.1 PCB Pattern Layout

Figure 12-1 shows a schematic diagram of a motor driver circuit. The motor driver circuit consists of current paths having high frequencies and high voltages, which also bring about negative influences on IC operation, noise interference, and power dissipation. Therefore, PCB trace layouts and component placements play an important role in circuit designing.

Current loops, which have high frequencies and high voltages, should be as small and wide as possible, in order to maintain a low-impedance state. In addition, ground traces should be as wide and short as possible so that radiated EMI levels can be reduced.

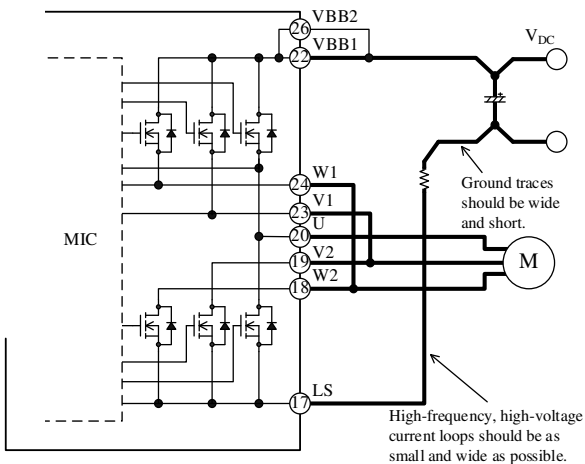


Figure 12-1. High-frequency, High-voltage Current Paths

12.2 Considerations in IC Characteristics Measurement

When measuring the breakdown voltage or leakage current of the transistors incorporated in the IC, note that the gate and emitter (source) of each transistor should have the same potential. Moreover, care should be taken when performing the measurements, because each transistor is connected as follows:

- All the high-side transistors (drains) are internally connected to the VBBx pin.
- In the U-phase, the high-side transistor (source) and the low-side transistor (drain) are internally connected, and are also connected to the U pin. (In the V- and W-phases, the high- and low-side transistors are unconnected inside the IC.)

The gates of the high-side transistors are pulled down to the corresponding output (U, V/V1, and W1) pins; similarly, the gates of the low-side transistors are pulled down to the COMx pin.

When measuring the breakdown voltage or leakage current of the transistors, note that all of the output (U, V/V1/V2, and W1/W2), LS, and COMx pins must be appropriately connected. Otherwise the switching transistors may result in permanent damage.

The following are circuit diagrams representing typical measurement circuits for breakdown voltage: Figure 12-2 shows the high-side transistor (Q_{UH}) in the U-phase; Figure 12-3 shows the low-side transistor (Q_{UL}) in the U-phase.

When measuring the high-side transistors, leave all the pins not be measured open. When measuring the low-side transistors, connect the LS pin to be measured to the COMx pin, then leave other unused pins open.

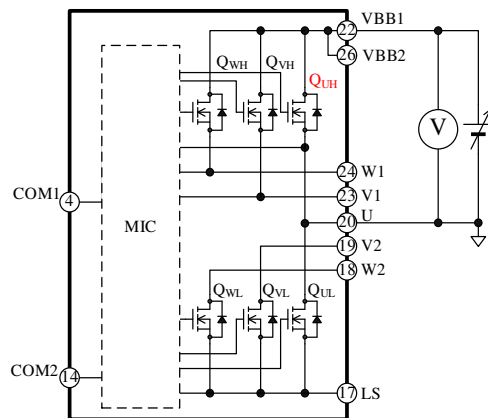


Figure 12-2. Typical Measurement Circuit for High-side Transistor (Q_{UH}) in U-phase

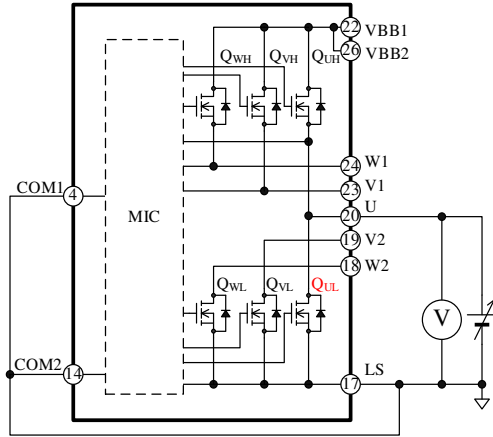


Figure 12-3. Typical Measurement Circuit for Low-side Transistor (QUL) in U-phase

13. Calculating Power Losses and Estimating Junction Temperature

This section describes the procedures to calculate power losses in switching transistors, and to estimate a junction temperature. Note that the descriptions listed here are applicable to the SIM6800M series, which is controlled by a 3-phase sine-wave PWM driving strategy.

For quick and easy references, we offer calculation support tools online. Please visit our website to find out more.

- DT0041: SX6800xMH Calculation Tool http://www.semicon.sanken-ele.co.jp/en/calc-tool/sx6800xmh_caltool_en.html

13.1 Power MOSFET

Total power loss in a power MOSFET can be obtained by taking the sum of the following losses: steady-state loss, P_{RON} ; switching loss, P_{SW} ; the steady-state loss of a body diode, P_{SD} . In the calculation procedure we offer, the recovery loss of a body diode, PRR, is considered negligibly small compared with the ratios of other losses.

The following subsections contain the mathematical procedures to calculate these losses (P_{RON} , P_{SW} , and P_{SD}) and the junction temperature of all power MOSFETs operating.

13.1.1 Power MOSFET Steady-state Loss, P_{RON}

Steady-state loss in a power MOSFET can be computed by using the $R_{DS(ON)}$ vs. I_D curves, listed in Section 14.3.1. As expressed by the curves in Figure 13-1, linear approximations at a range the I_D is actually used are obtained by: $R_{DS(ON)} = \alpha \times I_D + \beta$. The values gained by the above calculation are then applied as parameters in Equation (4), below. Hence, the equation to obtain the power MOSFET steady-state loss, P_{RON} , is:

$$P_{RON} = \frac{1}{2\pi} \int_0^\pi I_D(\varphi)^2 \times R_{DS(ON)}(\varphi) \times DT \times d\varphi$$

$$= 2\sqrt{2}\alpha \left(\frac{1}{3\pi} + \frac{3}{32}M \times \cos\theta \right) I_M^3 + 2\beta \left(\frac{1}{8} + \frac{1}{3\pi}M \times \cos\theta \right) I_M^2 \quad (4)$$

Where:

- I_D is the drain current of the power MOSFET (A),
- $R_{DS(ON)}$ is the drain-to-source on-resistance of the power MOSFET (Ω),
- DT is the duty cycle, which is given by

$$DT = \frac{1 + M \times \sin(\varphi + \theta)}{2}$$

- M is the modulation index (0 to 1),
- $\cos\theta$ is the motor power factor (0 to 1),
- I_M is the effective motor current (A),
- α is the slope of the linear approximation in the $R_{DS(ON)}$ vs. I_D curve, and
- β is the intercept of the linear approximation in the $R_{DS(ON)}$ vs. I_D curve.

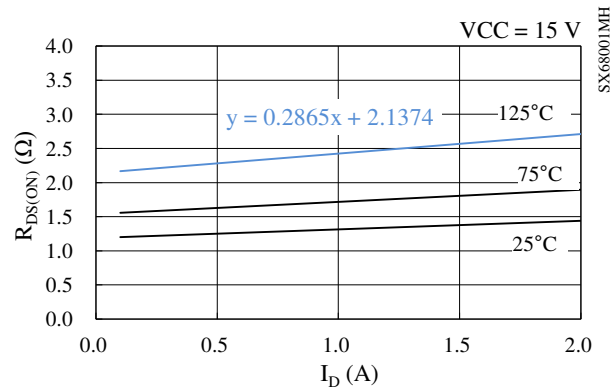


Figure 13-1. Linear Approximate Equation of $R_{DS(ON)}$ vs. I_D Curve