



Chipsmall Limited consists of a professional team with an average of over 10 year of expertise in the distribution of electronic components. Based in Hongkong, we have already established firm and mutual-benefit business relationships with customers from,Europe,America and south Asia,supplying obsolete and hard-to-find components to meet their specific needs.

With the principle of "Quality Parts,Customers Priority,Honest Operation,and Considerate Service",our business mainly focus on the distribution of electronic components. Line cards we deal with include Microchip,ALPS,ROHM,Xilinx,Pulse,ON,Everlight and Freescale. Main products comprise IC,Modules,Potentiometer,IC Socket,Relay,Connector.Our parts cover such applications as commercial,industrial, and automotives areas.

We are looking forward to setting up business relationship with you and hope to provide you with the best service and solution. Let us make a better world for our industry!



## Contact us

Tel: +86-755-8981 8866 Fax: +86-755-8427 6832

Email & Skype: info@chipsmall.com Web: www.chipsmall.com

Address: A1208, Overseas Decoration Building, #122 Zhenhua RD., Futian, Shenzhen, China



#### GENERAL DESCRIPTION

The SX8653 is a touch controller for 4 or 5 wire resistive touchscreen. With 4-wire touchscreen, the multitouch feature enables a completely different user interaction. It enables detection of 2 fingers on the touchscreen and several gestures like rotation and pinch/ stretch.

It features a wide input supply range from 1.65V to 3.7V and low power modes to preserve current when the screen is unintentionally touched.

To compute touch screen X-Y coordinates and touch pressure with precision, a low power 12-bit analog-digital converter is activated with the possibility to enable on-chip data averaging processing algorithms to reduce host activity and suppress system noise.

The touch screen controller inputs have been specially designed to provide robust on-chip ESD protection of up to  $\pm 15\text{kV}$  in both HBM and Contact Discharge, and eliminates the need for external protection devices. The SX8653 is controlled by a high speed SPI™ serial interface.

The SX8653 is available in a 4.0 mm x 3.0 mm 14-DFN package and a 1.5 mm x 2.0 mm wafer level chip scale package (WLCSP) for space conscience applications.

#### APPLICATIONS

- ◆ DSC, DVR, Cell Phones
- ◆ PDA, Pagers
- ◆ Point-of-Sales Terminals
- ◆ Touch-Screen Monitors

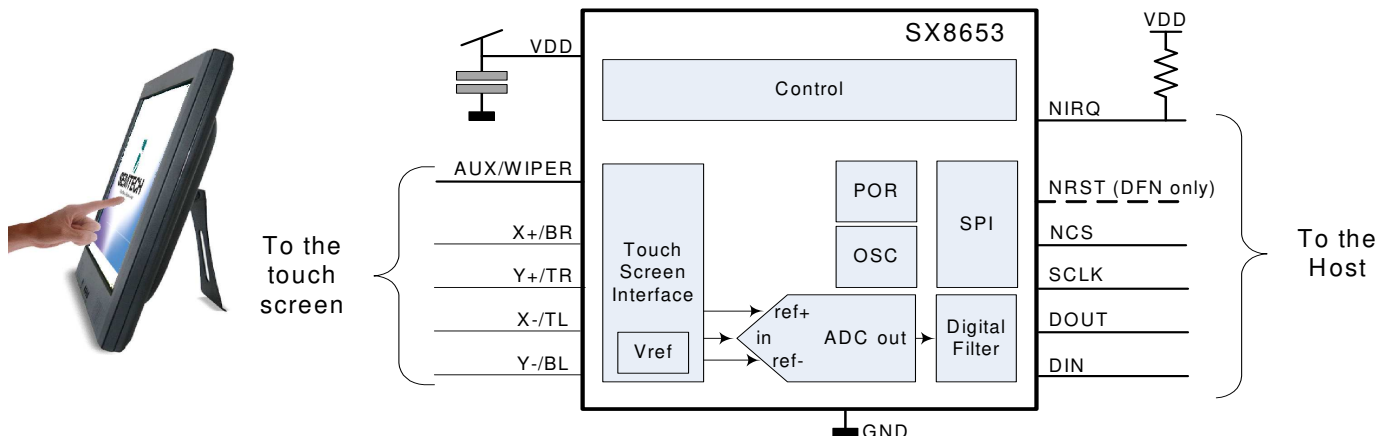
#### ORDERING INFORMATION

Part Number	Package (Dimension in mm)	Marking
SX8653ICSTRT <sup>1</sup>	12 - Ball WLCSP (1.5x2.0)	NB2A
SX8653IWLTRT <sup>1</sup>	14 - Lead DFN (4.0x 3.0)	NB2A

1. 3000 Units / reel

#### KEY PRODUCT FEATURES

- ◆ Extremely Low Power Consumption: 23uA@1.8V 8kSPS
- ◆ Support Multi-touch operation (4-wire)
- ◆ Superior On-chip ESD Protection
  - ⇒  $\pm 15\text{kV}$  HBM (X+,X-,Y+,Y-)
  - ⇒  $\pm 2\text{kV}$  CDM
  - ⇒  $\pm 25\text{kV}$  Air Gap Discharge
  - ⇒  $\pm 15\text{kV}$  Contact Discharge
  - ⇒  $\pm 300\text{V}$  MM
- ◆ Pin-compatible with SX8652
- ◆ Single 1.65V to 3.7V Supply/Reference
- ◆ 4-Wire or 5-Wire Resistive Touch Screen Interface
- ◆ Integrated Preprocessing Block to Reduce Host Loading and Bus Activity
- ◆ Four User Programmable Operation Modes provides Flexibility to address Different Application Needs
  - ⇒ Manual, Automatic, Pen Detect, Pen Trigger
- ◆ Precision, Low Noise, High Speed 12-bit SAR ADC Operating At 74k SPS
- ◆ Throughput: 5000 (X-Y) coordinates/second (c/s) with 7-Sample Averaging
- ◆ Low Power Shut-Down Mode < 1uA
- ◆ SPI™ Serial Interface
- ◆ Touch Pressure Measurement (4-Wire)
- ◆ Auxiliary Input (4-Wire) For Alternate ADC Input or Start of Conversion Trigger
- ◆ Hardware & Software reset
- ◆ -40°C to +85°C operation
- ◆ Pb-Free, Halogen Free, RoHS/WEEE compliant product
- ◆ Windows CE 6.0, Linux Driver Support Available
- ◆ Packages: 14-LD (4.0 mm x 3.0 mm) DFN  
12-Ball (1.5 mm x 2.0 mm) WLCSP



**Table of contents**

Section	Page
1. General Description .....	4
1.1. DFN Pinout Diagram and Marking Information (Top View).....	4
1.2. WLCSP Pinout Diagram and Marking Information (Top View) .....	4
1.3. Pin Description.....	5
1.4. Simplified Block Diagram .....	5
2. Electrical Characteristics .....	6
2.1. Absolute Maximum Ratings .....	6
2.2. Recommended Operating Conditions.....	6
2.3. Thermal Characteristics .....	6
2.4. Electrical Specifications .....	7
2.5. Host Interface Specifications .....	9
2.6. Host Interface Timing Waveforms.....	9
3. Functional Description .....	10
3.1. General Introduction .....	10
3.2. Device Interface and ESD protection.....	11
3.2.1. Touchscreen interface.....	11
3.2.2. Host Interface and Control Pins .....	11
4. 4-wire Touch Screen Detailed Description .....	12
4.1. Touch Screen Operation.....	12
4.2. Coordinates Measurement.....	12
4.3. Pressure Measurement.....	13
4.4. Pen Detection .....	13
4.5. Double touch measurement.....	14
5. 5-wire Touch Screen Detailed Description .....	15
5.1. Touch Screen Operation.....	15
5.2. Coordinates Measurement.....	15
5.3. Pen Detection .....	15
6. Data Processing .....	16
7. Power-Up, Reset .....	16
8. Modes of Operation .....	16
8.1. MANual Mode .....	17
8.2. AUTOMATIC mode .....	17
8.3. PENDET Mode .....	18
8.4. PENTRIG Mode .....	18
9. Host Interface .....	20
9.1. SPI Read/Write Registers .....	20
9.2. SPI Reading Channel Data.....	20
9.3. SPI implementation and multiple Read/Write .....	21
9.4. Invalid Qualified Data.....	22

**Table of contents**

<b>Section</b>	<b>Page</b>
9.5. Register Map.....	23
9.6. SX8653 register .....	24
10. Application Information .....	25
10.1. Acquisition Setup .....	25
10.2. Channel Selection.....	25
10.3. Noise Reduction.....	25
10.3.1. POWDLY.....	25
10.3.2. SETDLY .....	26
10.4. AUX Input - 4-wire touchscreen only .....	26
10.5. Interrupt Generation.....	26
10.6. Coordinate Throughput Rate .....	26
10.6.1. SPI Communication Time .....	26
10.6.2. Conversion Time .....	27
10.7. ESD event.....	27
11. Multi-Touch Gestures with 4-wire touchscreen.....	28
11.1. Zoom Gesture .....	28
11.2. Rotate Gesture.....	28
12. Packaging Information .....	29
12.1. DFN Package.....	29
12.2. WLCSP Package .....	30

## 1. General Description

### 1.1. DFN Pinout Diagram and Marking Information (Top View)

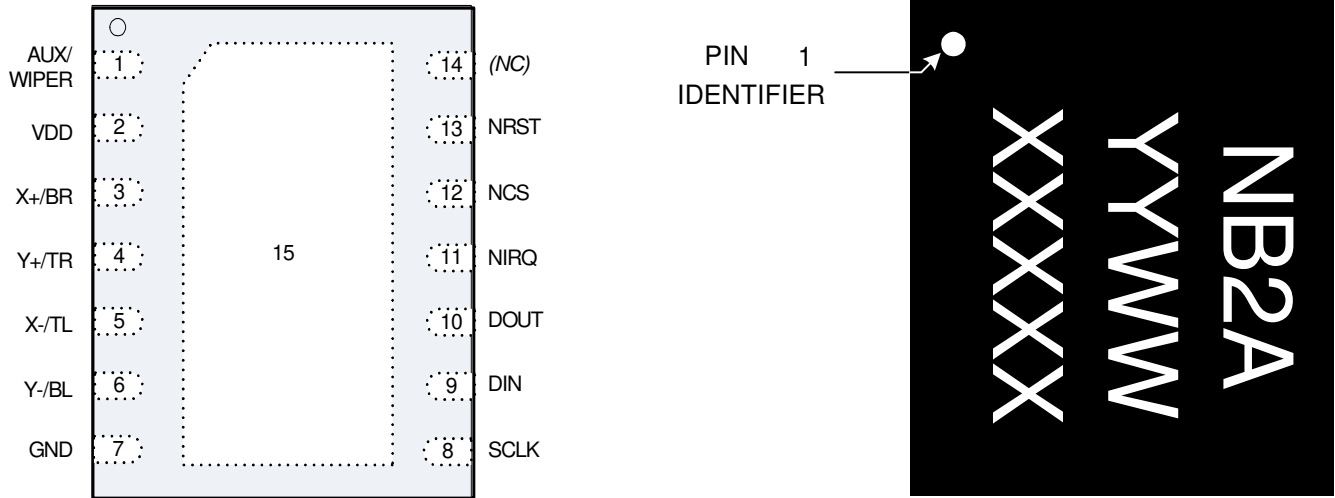


Figure 1. SX8653 DFN Top View, Pad on Bottom Side

YYWW: date code

XXXXXX: Lot Number

### 1.2. WLCSP Pinout Diagram and Marking Information (Top View)

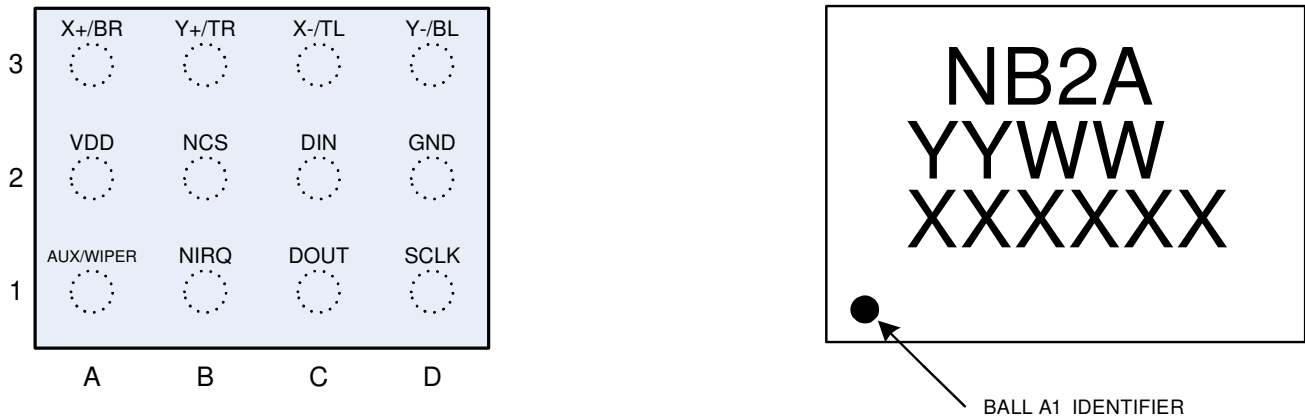


Figure 2. SX8653 WLCSP Top View, Solder Bumps on Bottom Side

YYWW: date code

XXXXXX: Lot Number

### 1.3. Pin Description

Pin Number #	Name	Type	Description
<b>DFN</b>	<b>WLCSP</b>		
1	A1	AUX/WIPER	Digital Input / Analog Input Conversion Synchronization (4-wire) or Analog Auxiliary Input (4-wire) / Wiper Input (5-wire)
2	A2	VDD	Power Input Input power supply, connect to a 0.1uF capacitor to GND
3	A3	X+/BR	Analog IO X+ Right electrode (4-wire) / Bottom Right (5-wire) channel
4	B3	Y+/TR	Analog IO Y+ Top electrode (4-wire) /Top Right (5-wire) channel
5	C3	X-/TL	Analog IO X- Left electrode (4-wire) /Top Left (5-wire) channel
6	D3	Y-/BL	Analog IO Y- Bottom electrode (4-wire) /Bottom Left (5-wire) channel
7	D2	GND	Ground Ground
8	D1	SCLK	Digital Input SPI Serial Clock Input
9	C2	DIN	Digital Output SPI Serial Data Input
10	C1	DOUT	Digital Output SPI Serial Data Output
11	B1	NIRQ	Digital Output, open drain Interrupt Request Output, Active low, Need external pull-up
12	B2	NCS	Digital Input SPI Chip Select Input, Active low
13	-	NRST	Digital Input DFN package only, Reset Input, Active low, Internal pull-up resistor
14	-	(NC)	Not Connected
15	-	GND	Power input Backside Ground

Table 1. Pin description

### 1.4. Simplified Block Diagram

The SX8653 simplified block diagram is shown in Figure 3.

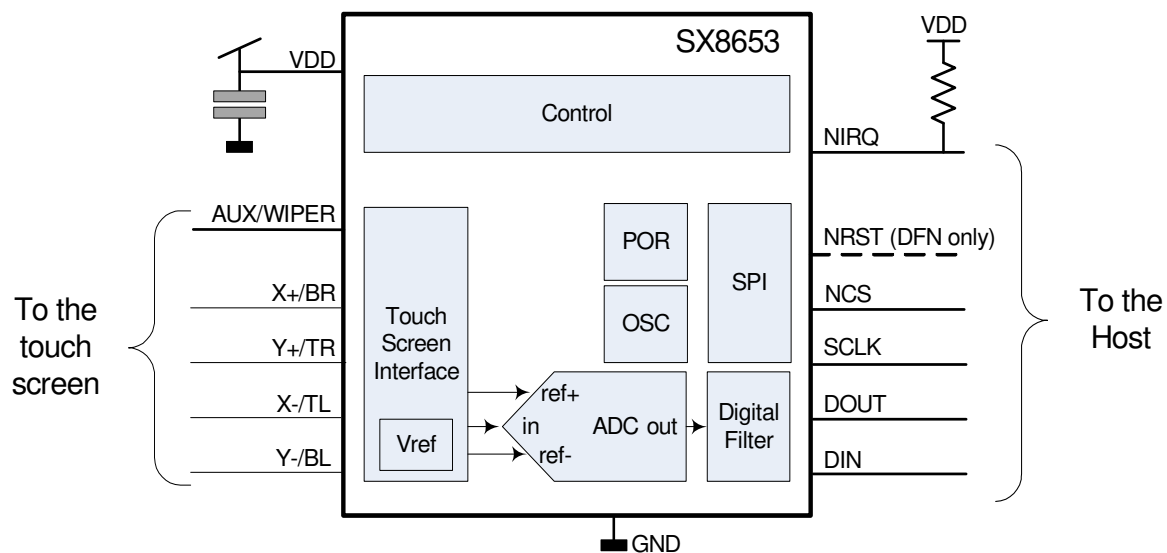


Figure 3. Simplified block diagram of the SX8653

## 2. Electrical Characteristics

### 2.1. Absolute Maximum Ratings

Stresses above the values listed in “Absolute Maximum Ratings” may cause permanent damage to the device.

This is a stress rating only and functional operation of the device at these, or any other conditions beyond the “Recommended Operating Conditions”, is not implied. Exposure to absolute maximum rating conditions for extended periods may affect device reliability.

Parameter	Symbol	Min.	Max.	Unit
Supply Voltage	$V_{DDABS}$	-0.5	3.9	V
Input voltage (non-supply pins)	$V_{IN}$	-0.5	3.9	V
Input current (non-supply pins)	$I_{IN}$		10	mA
Operating Junction Temperature	$T_{JCT}$		125	°C
Reflow temperature	$T_{RE}$		260	°C
Storage temperature	$T_{STOR}$	-50	150	°C
ESD HBM (Human Body Model)	High ESD pins: X+/BR, X-/TL, Y+/TR, Y-/BL, Aux/Wiper	ESD <sub>HBM1</sub>	$\pm 15^{(i)}$	kV
			$\pm 8^{(ii)}$	kV
	All pins except high ESD pins	ESD <sub>HBM2</sub>	$\pm 2$	kV
ESD (Contact Discharge)	High ESD pins: X+/BR, X-/TL, Y+/TR, Y-/BL, Aux/Wiper	ESD <sub>CD</sub>	$\pm 15$	kV
Latchup <sup>(iii)</sup>	$I_{LU}$	$\pm 100$		mA

Table 2. Absolute Maximum Ratings

(i) Tested to TLP (10A)

(ii) Tested to JEDEC standard JESD22-A114

(iii) Tested to JEDEC standard JESD78

### 2.2. Recommended Operating Conditions

Parameter	Symbol	Min.	Max	Unit
Supply Voltage	$V_{DD}$	1.65V	3.7	V
Ambient Temperature Range	$T_A$	-40	85	°C

Table 3. Recommended Operating Conditions

### 2.3. Thermal Characteristics

Parameter	Symbol	Min.	Max	Unit
Thermal Resistance with DFN package - Junction to Ambient <sup>(iii)</sup>	$\theta_{JA}$		39	°C/W
Thermal Resistance with WLCSP package - Junction to Ambient <sup>(iii)</sup>	$\theta_{JA}$		65	°C/W

Table 4. Thermal Characteristics

(iii)  $\theta_{JA}$  is calculated from a package in still air, mounted to 3" x 4.5", 4 layer FR4 PCB with thermal vias under exposed pad (if applicable) per JESD51 standards.

**2.4. Electrical Specifications**

All values are valid within the recommended operating conditions unless otherwise specified.

Parameter	Symbol	Conditions	Min.	Typ	Max	Unit
<b>Current consumption</b>						
Mode = MANUAL	$I_{\text{pwd}}$	Converter stopped, pen detection off, SPI listening, OSC stopped		0.4	1	$\mu\text{A}$
Mode = PENDET	$I_{\text{pndt}}$	Converter stopped, pen detection activated, device generates interrupt upon detection, SPI listening, OSC stopped		0.4	1	$\mu\text{A}$
Mode =PENTRIG	$I_{\text{pntr}}$	Converter stopped, pen detection activated, device starts conversion upon pen detection. SPI listening, OSC stopped		0.4	1	$\mu\text{A}$
Mode=AUTO	$I_{\text{auto}}$	Converter stopped, pen detection off, SPI listening, OSC on, timer on		1.5		$\mu\text{A}$
Operation @8kSPS, VDD=1.8V	$I_{\text{opl}}$			23	50	$\mu\text{A}$
Operation @42kSPS, VDD=3.3V	$I_{\text{oph}}$			105	140	$\mu\text{A}$
<b>Digital I/O</b>						
High-level input voltage	$V_{\text{IH}}$		$0.8V_{\text{DD}}$		$V_{\text{DD}}+0.2$	V
Low-level input voltage	$V_{\text{IL}}$		$V_{\text{SS}}-0.3$		$0.2V_{\text{DD}}$	V
Hysteresis	$V_{\text{HysLow}}$	$V_{\text{DD}} > 2\text{V}$		$0.05 V_{\text{DD}}$		V
	$V_{\text{HysHigh}}$	$V_{\text{DD}} < 2\text{V}$		$0.1 V_{\text{DD}}$		V
Output Logic High	$V_{\text{OH}}$	$I_{\text{OH}} > -2\text{mA}$	$0.8V_{\text{DD}}$			
Output Logic Low	$V_{\text{OL}}$	$I_{\text{OL}} < 2\text{mA}$	0		0.4	V
Input leakage current	$I_{\text{I}}$	CMOS input			$\pm 1$	$\mu\text{A}$
High ESD Input - Output capacitance	$C_{\text{X+BR}}, C_{\text{X-TL}}, C_{\text{Y+TR}}, C_{\text{Y-BL}}, C_{\text{AUX}}$			50		pF
Input - Output capacitance	$C_{\text{NRST}}, C_{\text{NIRQ}}, C_{\text{NCS}}, C_{\text{DIN}}, C_{\text{DOUT}}, C_{\text{SCLK}}$			5		pF

Table 5. Electrical Specifications



**ADVANCED COMMUNICATIONS & SENSING**
**DATASHEET**

Parameter	Symbol	Conditions	Min.	Typ	Max	Unit
<b>Startup</b>						
Power-up time	$t_{por}$	Time between rising edge VDD and rising NIRQ			1	ms
<b>ADC</b>						
Resolution	$A_{res}$		12			bits
Offset	$A_{off}$			$\pm 1$		LSB
Gain error	$A_{ge}$	At full scale		0.5		LSB
Differential Non Linearity	$A_{dnl}$			$\pm 1$		LSB
Integral Non Linearity	$A_{inl}$			$\pm 1.5$		LSB
<b>Resistors</b>						
X+, X-, Y+, Y- resistance	$R_{chn}$	Touch Pad Biasing Resistance		5		Ohm
Pen detect resistance	$R_{PNDT\_00}$	$R_{PNDT} = 0$		100		kOhm
	$R_{PNDT\_01}$	$R_{PNDT} = 1$		200		kOhm
	$R_{PNDT\_10}$	$R_{PNDT} = 2$		50		kOhm
	$R_{PNDT\_11}$	$R_{PNDT} = 3$		25		kOhm
<b>External components</b>						
Capacitor between VDD, GND	$C_{vdd}$	Type 0402, tolerance +/-50%		0.1		$\mu F$

*Table 5. Electrical Specifications*

**2.5. Host Interface Specifications**

Parameter	Symbol	Condition	Min	Typ	Max	Unit
<b>SPI TIMING SPECIFICATIONS <sup>(i)</sup></b>						
SCLK Clock Frequency Duty Cycle	$f_{SCLK}$ duty		40		5000 60	kHz %
NCS edge to first SCLK "↑"	$T_{CSS}$		50			ns
NCS edge to DOUT Low	$T_{DCD}$				100	
SCLK High Pulse Width	$T_{CKH}$		80			
SCLK Low Pulse Width	$T_{CKL}$		80			
Data Setup Time	$T_{DS}$		40			
Data Valid to SCLK Hold Time	$T_{DH}$		70			
Data Output Delay after SCLK "↓"	$T_{DOD}$				70	
NCS "↑" to SCLK Ignored	$T_{CSI}$		50			
NCS "↑" to DOUT Hi-Z state	$T_{CCZ}$				90	
NCS Hold Time	$T_{CSW}$		150			

(i) All timing specifications refer to voltage levels (50% VDD,  $V_{OH}$ ,  $V_{OL}$ ) defined in Table 6 unless otherwise mentioned.

Table 6. Host Interface Specifications

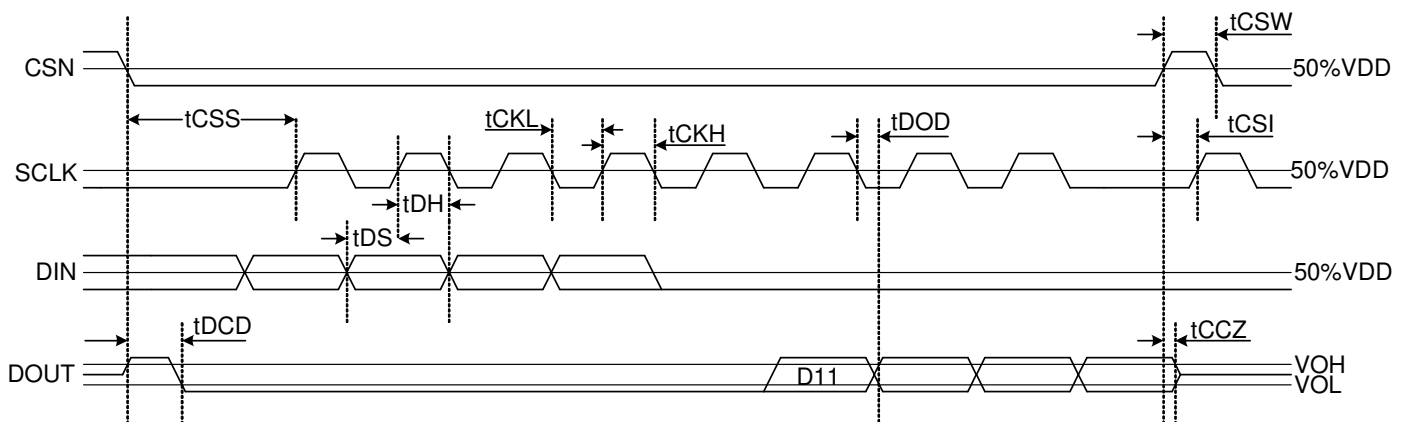
**2.6. Host Interface Timing Waveforms**


Figure 4. SPI Timing Waveform

## 3. Functional Description

### 3.1. General Introduction

This section provides an overview of the SX8653 architecture, device pinout and a typical application.

The SX8653 is designed for 4-wire and 5-wire resistive touch screen applications. The touch screen or touch panel is the resistive sensor and can be activated by either a finger or stylus. When the top layer is pressed, it makes contact with the bottom sheet and the touch location can be measured.

As shown in Figure 5 with a 4-wire panel, the touch screen coordinates and touch pressure are converted into SPI format by the SX8653 for transfer to the host.

The auxiliary input can be used to convert with 12-bit resolution any analog input in the supply range. It can also serve as an external synchronisation input to trig the touchscreen acquisition as described in the Application Information section.

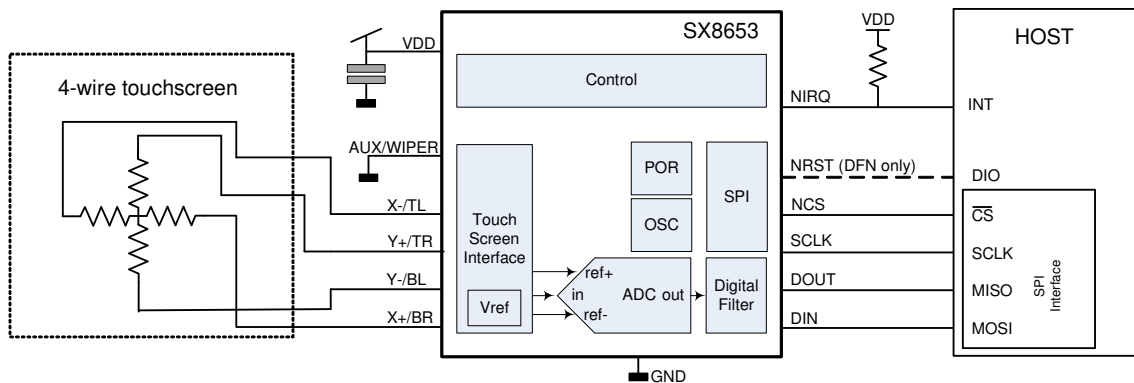


Figure 5. SX8653 with a 4-wire touch screen

A 5-wire touchscreen application is shown in Figure 6. The 5-wire top sheet acts as a voltage measuring probe. The measurement accuracy is not affected by damage on this sheet and consequently the reliability is improved.

Multitouch and touch pressure measurement are not possible with 5-wire touchscreen.

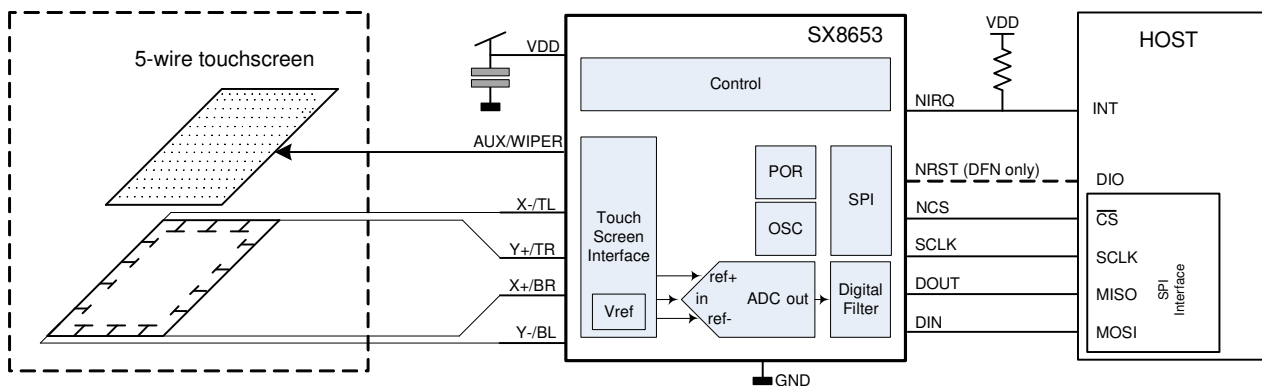


Figure 6. SX8653 with a 5-wire touch screen

### 3.2. Device Interface and ESD protection

The touch screen controller inputs have been specially designed to provide robust on-chip ESD protection of up to  $\pm 15\text{kV}$  in both HBM and Contact Discharge.

#### 3.2.1. Touchscreen interface

The X+/BR, X-/TL, Y+/TR, Y-/BL, AUX/WIPER are the pins dedicated for the touchscreen interface. It provides the voltage sequence in order to obtain the coordinates and pressure measurement.

The five pins are connected to BR, TL, TR, BL, WIPER on a 5-wire touchscreen. They are the electrodes on the 4 corners of the bottom layer of the touchscreen plus the electrode on the top layer.

On a 4-wire touchscreen, only 4 electrodes are used: X+, X-, Y+, Y-. The AUX pin is not needed and therefore can be used to convert an analog signal (range GND - VDD) into 12-bit digital value. The touchscreen interface pins are the most exposed pins for an ESD event.

As shown in Figure 7, these pins have internal ESD protection to GROUND and VDD.

#### 3.2.2. Host Interface and Control Pins

The SX8653 is a slave device configured via the SPI interface. DIN and SCLK have internal ESD protection to GROUND and VDD.

NIRQ provides an interrupt to the host processor when a pen is detected or when channel data is available. The NIRQ pin is an active low, open drain output to facilitate interfacing to different supply voltages and thus requires an external pull-up resistor (1-10 kOhm).

The host can reset the chip via the SPI interface or with the dedicated pin NRST. The NRST pin is an active low input with an internal pull-up that provides a hardware reset.

NRST and NIRQ pins are protected to GROUND.

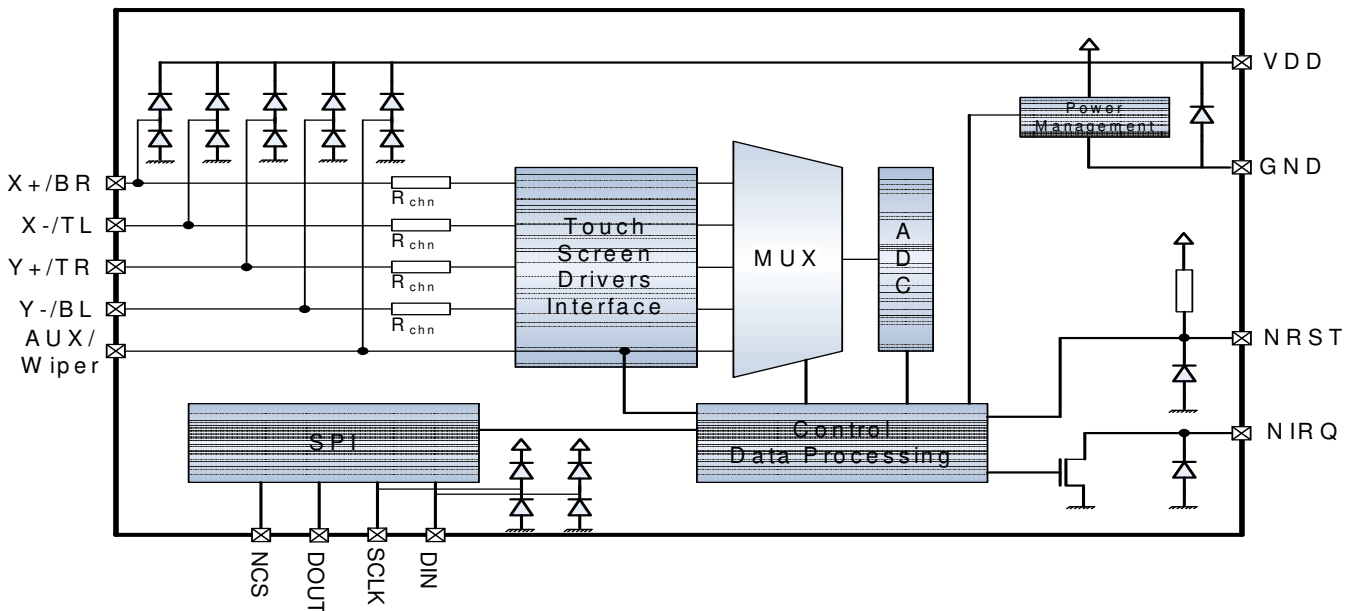


Figure 7. ESD protection

## 4. 4-wire Touch Screen Detailed Description

### 4.1. Touch Screen Operation

A 4-wire resistive touch screen consists of two resistive sheets separated by an insulator (Figure 4.2).

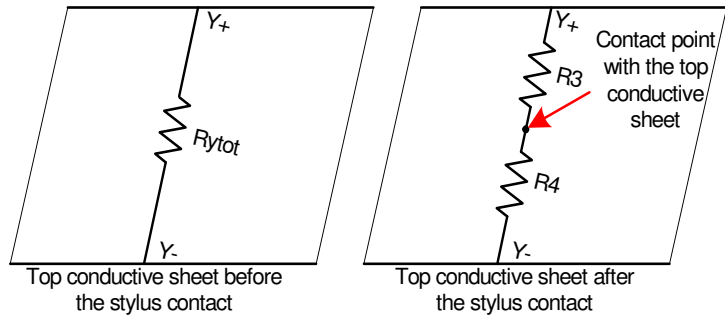
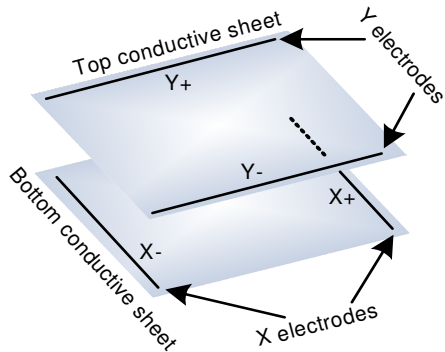


Figure 8. 4-wire Touch Screen

When a pressure is applied on the top sheet with a stylus for example, a connection with the lower sheet is made.

The contact point split the  $R_{xtot}$  bottom resistance in the vertical axis into two resistances  $R1$  and  $R2$ . In the same way, the  $R_{ytot}$  resistance in the horizontal axis of the top sheet is divided into two resistances  $R3$  and  $R4$ .

$$R_{xtot} = R1 + R2$$

$$R_{ytot} = R3 + R4$$

The touchscreen controller imposes a voltage level on X or Y electrodes allowing the detection of the contact position.

### 4.2. Coordinates Measurement

During the touch, the top and bottom touchscreen layers are connected. The resistance between the two sheets is  $R_T$ . A current coming from the reference voltage goes from  $X+$  to  $X-$  to perform the X coordinate measurement. Figure 9 shows the measurement schematics.

Since the ADC had a high input impedance, no current flows through  $R_T$  and  $R3$ . The positive ADC input is biased with a voltage created by the  $R1$ ,  $R2$  voltage divider.

The conversion with the 12 bit ADC gives the X location.

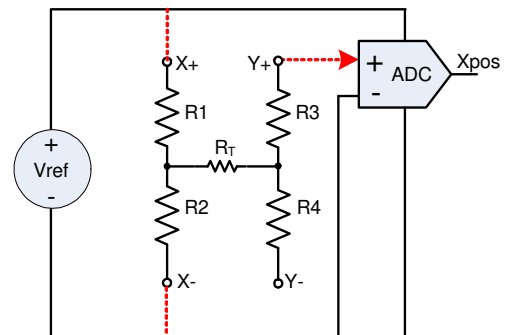


Figure 9. Abscissa (X) coordinates measurement

$$X_{pos} = 4095 \cdot \frac{R2}{R1 + R2}$$

The Y coordinate is measured in a similar fashion with the measurement setup given in Table 7.

$$Y_{pos} = 4095 \cdot \frac{R4}{R3 + R4}$$

### 4.3. Pressure Measurement

The 4-wire touchscreen allows pressure measurement. The contact resistance between the two sheets are a function of the pressure applied on the top sheet. Indeed, the a low pressure applied with the finger will create a small contact area. With a greater pressure, the contact area will be bigger and the  $R_T$  resistance smaller.

The  $R_T$  contact resistance is therefore an indication of the applied pressure.  $R_T$  is deducted from Z1 and Z2 measurement. The measurement setup given in Table 7 allows to find Z1 and Z2.

$$z1 = 4095 \cdot \frac{R4}{R1 + R4 + R_T} \quad z2 = 4095 \cdot \frac{R4 + R_T}{R1 + R4 + R_T}$$

Arranging Z1 and Z2 with  $R_{xtot}$  and  $R_{ytot}$  allows the computation of  $R_T$ .

$$R_T = R_{ytot} \cdot \frac{Y_{pos}}{4095} \cdot \left[ \frac{z2}{z1} - 1 \right]$$

An alternative calculation method is using  $X_{pos}$  and  $Y_{pos}$ .

$$R_T = \frac{R_{ytot} \cdot Y_{pos}}{4095} \cdot \left[ \frac{4095}{z1} - 1 \right] - R_{xtot} \cdot \left[ 1 - \frac{X_{pos}}{4095} \right]$$

Measurement	Vref +	Vref-	ADC +
X	X+	X-	Y+
Y	Y+	Y-	X+
Z1	X+	Y-	Y+
Z2	X+	Y-	X-

Table 7. Measurement setup

### 4.4. Pen Detection

The pen detection circuitry is used to detect a user action on the touchscreen. The contact between the two layers generates an interrupt or starts an acquisition sequence.

Doing a pen detection prior to conversion avoids feeding the host with dummy data and saves power.

If the touchscreen is powered between X+ and Y- through a resistor  $R_{PNDT}$ , no current will flow so long as pressure is not applied to the surface (see Figure 10).

When a pressure is applied, a current path is created and brings X+ to the level defined by the resistive divider determined by  $R_{PNDT}$  and the sum of  $R1$ ,  $R_T$  and  $R4$ .

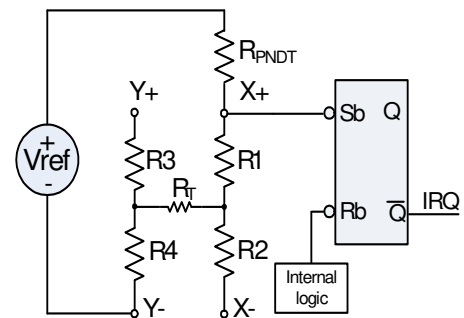


Figure 10. 4-wire pen detection circuitry

$R_{PNDT}$  should be set to the greatest value of 200 kOhm for optimal detection (see Table 16). Increasing PowDly settings can also improve the detection on panel with high resistance.

The pen detection will set the PENIRQ bit of the RegStat register. The PENIRQ bit will be cleared and the NIRQ will be de-asserted as soon as the host reads the status register.

In PENDET mode, the pen detection will set NIRQ low.

#### 4.5. Double touch measurement

The simplified model for double touch on the touchscreen is given in Figure 11.

Two fingers on the touchscreen create two contacts between the touchscreen top and bottom layer. The two contacts have the resistance  $R_{t1}$  and  $R_{t2}$ .

The two contact points split  $R_{xtot}$  and  $R_{ytot}$  on the horizontal and vertical axis. Then we have  $R1$ ,  $R2$  and  $R3$  on the top plate and  $R4$ ,  $R5$  and  $R6$  on the bottom plate.

$$R_{xtot} = R1 + R2 + R3$$

$$R_{ytot} = R4 + R5 + R6$$

The determination of these resistances is a complex task.

The SX8653 allows to measure  $R_x$  and  $R_y$  which is a combination of these resistances. With a S/W running in the host, it is possible to detect the gesture described in the section Multi-Touch Gestures with 4-wire touchscreen.

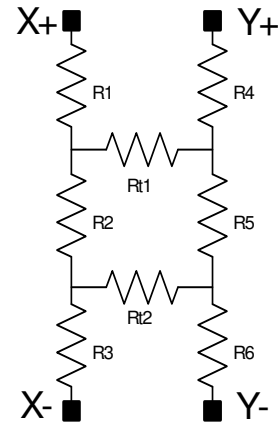


Figure 11. Touchscreen model for double touch

To get the best gesture detection, the resistor  $R_{mSelX}$  and  $R_{mSelY}$  should be set according to the panel resistance and the Table 8.

Y Panel resistance (Ohm)	$R_{mSelY}$	X Panel resistance (Ohm)	$R_{mSelX}$
100 to 187	000	100 to 187	000
188 to 312	001	188 to 312	001
313 to 938	010	313 to 938	010
939 to 1875	011	939 to 1875	011
1876 to 4375	100	1876 to 4375	100
4376 to 9375	101	4376 to 9375	101
9376 to 18780	110	9376 to 18780	110
Larger than 18780	111	Larger than 18780	111

Table 8.  $R_{mSelX}$  and  $R_{mSelY}$  resistance selection

## 5. 5-wire Touch Screen Detailed Description

### 5.1. Touch Screen Operation

As the 4-wire, the 5-wire resistive touch screen consists of two resistive sheets separated by an insulator (Figure 12). The main difference is that the 4 wires are connected on the 4 corners of the bottom conductive sheet. They are referred as Top Left, Top Right, Bottom Left, Bottom Right.

The fifth wire is embedded in the top sheet and is used for sensing the electrode voltage and is referred as the wiper.

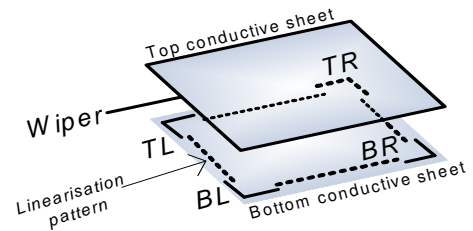


Figure 12. 5-wire touchscreen

### 5.2. Coordinates Measurement

When the electrodes TL is connected with BL and TR with BR, they form with the linearization pattern 2 electrodes bars which are very similar to the X electrodes in a 4-wire touchscreen. In the same way, the association of TL with TR and BL with BR create Y electrodes.

The four corners are therefore able to produce voltage gradients in the horizontal and vertical axis. The wiper is connected to the high input impedance of the ADC. When a pressure is applied on the top sheet, the contact point split the bottom sheet resistance into R1 and R2 on the X axis and R3 and R4 on the Y axis.

The X and Y position converted by the 12-bit ADC gives the following result.

$$X_{pos} = 4095 \cdot \frac{R2}{R1 + R2} \quad Y_{pos} = 4095 \cdot \frac{R4}{R3 + R4}$$

### 5.3. Pen Detection

The BR pin is connected to the positive pin of the reference voltage through R<sub>PNDT</sub>. The wiper panel is grounded at the AUX/WIPER pin to provide the grounding path for a screen touch event.

The BR pin is monitored to detect voltage drop. When a pressure is applied on the top surface, a current path is created between the two layers and the PENIRQ bit of the RegStat register will be set. R<sub>PNDT</sub> should be set to the greatest value of 200 kOhm for optimal detection (see Table 16). Increasing PowDly settings can also improve the detection on panel with high resistance.

In PENDET mode, the pen detection will set NIRQ low.

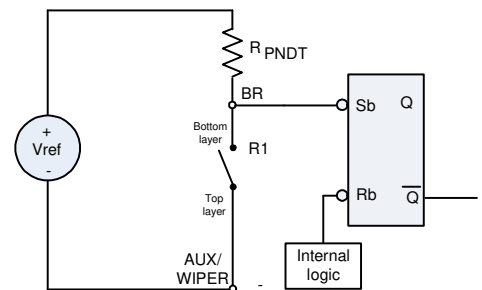


Figure 13. 5-wire pen detection circuitry



## 6. Data Processing

The SX8653 offers 4 types of data processing which allows the user to make trade-offs between data throughput, power consumption and noise rejection. The parameter FILT is used to select the filter order  $N_{\text{filt}}$  as seen in Table 9.

The  $s_n$  samples from the ADC can be averaged. The processed  $c_n$  12-bit value is then send through the SPI bus.

The noise rejection will be improved with a high order to the detriment of the power consumption.

The K coefficient in Table 9 is a filter constant. Its value is  $K=4079/4095$ .

FILT	$N_{\text{filt}}$	Explanation	Processing
0	1	No average	$s_n = c_n$
1	3	3 ADC samples are averaged	$s_n = \frac{1}{3}K(c_n + c_{n-1} + c_{n-2})$
2	5	5 ADC samples are averaged	$s_n = \frac{1}{5}K(c_n + c_{n-1} + c_{n-2} + c_{n-3} + c_{n-4})$
3	7	7 ADC samples are sorted and the 3 center samples are averaged	$c_{\text{max}1} \geq c_{\text{max}2} \geq c_a \geq c_b \geq c_c \geq c_{\text{min}1} \geq c_{\text{min}2}$ $s_n = \frac{1}{3}K(c_a + c_b + c_c)$

Table 9. Filter order

## 7. Power-Up, Reset

During power-up, NIRQ pin is kept low, the POR reset all registers and states of the SX8653. The SX8653 is not accessible and SPI communications are ignored.

As soon as NIRQ rises, the SX8653 is in manual mode with only the SPI peripheral enabled to minimize power consumption.

The host can reset the SX8653 by setting the NRST pin low or via the SPI bus. Writing the code 0xDE to the register RegSoftReset reset the circuit.

When NRST is driven LOW by the host, NIRQ will be driven low by the SX8653. After the reset NIRQ will be released by the SX8653.

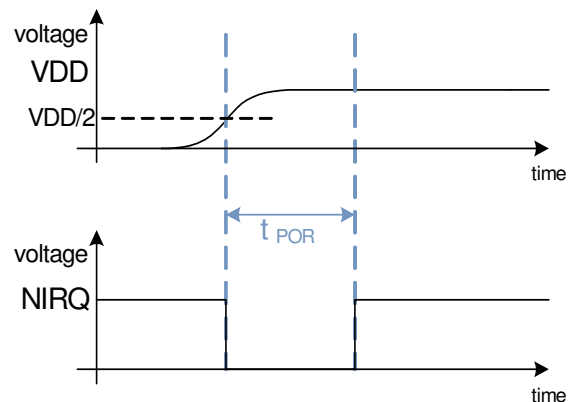


Figure 14. Power-up, NIRQ

## 8. Modes of Operation

The SX8653 has four operation modes that are configured using the SPI commands as defined in Table 14 and Table 16. These 4 modes are:

- ◆ manual (command 'MANAUTO' and RATE=0),
- ◆ automatic (command 'MANAUTO' and RATE>0),
- ◆ pen detect (command 'PENDET'),
- ◆ pen trigger mode (command 'PENTRG').

In the PENDET mode the pen detection is activated. The SX8653 will generate an interrupt (NIRQ) upon pen detection and set the PENIRQ bit in the SPI status register. To quit the PENDET mode the host needs to configure the manual mode.

In the PENTRG mode the pen detection is activated and a channel conversion will start after the detection of a pen. The SX8653 will generate an interrupt (NIRQ) upon pen detection and set the CONVIRQ bit in the SPI status register. To quit the PENTRIG mode the host needs to configure the manual mode. The PENTRG mode offers the best compromise between power consumption and coordinate throughput.

### 8.1. MANual Mode

In manual mode (RATE=0), the host sequences all the actions by the SPI commands described in Table 10.

When a command is received, the SX8653 executes the associated task and waits for the next command.

Command	Action
CONVERT(CHAN)	Select and bias a channel Wait for the programmed settling time (POWDLY) Start conversion
SELECT(CHAN)	Select and bias a channel

Table 10. CONVERT and SELECT command

The channel can be biased for an arbitrary amount of time by first sending a SELECT command and then a CONVERT command once the settling time requirement is met.

The SELECT command can be omitted if the large range of POWDLY settings cover the requirements. In the latter case, the CONVERT command alone is enough to perform an acquisition.

With CHAN=SEQ, multiple channels are sampled. This requires programming the POWDLY field in register RegCTRL0. The selected channel will be powered during POWDLY before a conversion is started. The channel bias is automatically removed after the conversion has completed.

### 8.2. AUTOMATIC mode

In automatic mode (RATE > 0), SX8653 start the acquisition when a touch is detected. It converts all the channels selected with RegChnMsk and set NIRQ low when it is finished.

After the host has read the channels, if CONDIRQ=1 and the touch is detected again, the SX8653 starts a new conversion cycle.

To not loose data, the SX8653 does not begin conversion before the host read all the channels.

We can define the time  $t_s$  between the start of the conversion and the end of the channels reading by the host.

The rate programmed is achieved if  $t_s < 1/\text{RATE}$  otherwise the new rate is  $1/t_s$ .

When the control CONDIRQ bit (see register RegStat Table 16) is set to '1' then the interrupts will only be generated if the pen detect occurred. This result in a regular interrupt stream, as long as the host performs the read channel commands, and the screen is touched. When the screen is not touched, interrupts does not occur.

If the control CONDIRQ bit is cleared to '0', the interrupts will be always generated. In case there is no pen detected on the screen then the coordinate data will be qualified as invalid, see section [9.5]. This result in a regular interrupt stream as long as the host performs the read channel commands,

This working is illustrated in Figure 17.

Figure 15 shows the SPI working in automatic mode with CONDIRQ=1. After the first sentence send through the SPI to make the initialization, traffic is reduced as only reads are required.

The processing time is the necessary time for the SX8653 to make the pen detection, the settling time (POWDLY) and the conversion of the selected channels. This time increases with the number of channels selected and the filter used. NIRQ interrupt signal notifies the host when the conversions are done.

The host just need to read the channels data to release the interrupt.

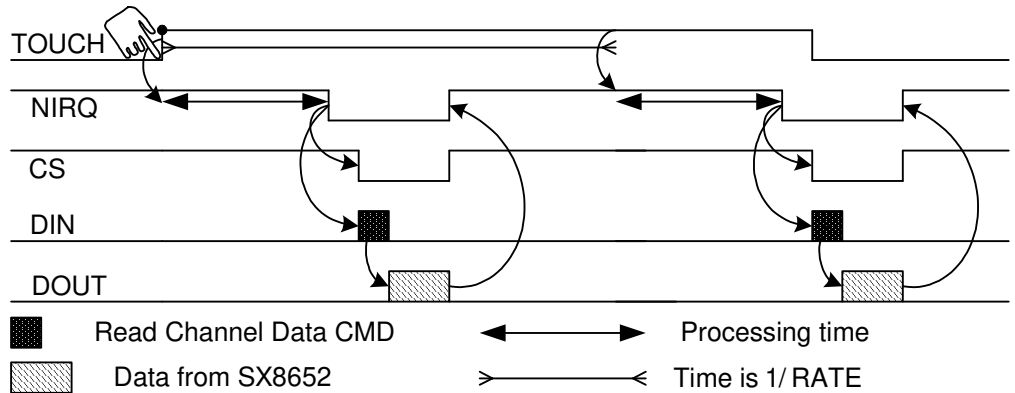


Figure 15. SPI working in AUTO mode

### 8.3. PENDET Mode

The PENDET mode can be used if the host only needs to know if the screen has been touched or not and take from that information further actions. When pen detect circuitry is triggered the interrupt signal NIRQ will be generated and the status register bit 'PENIRQ' will be set. The bit is cleared by reading the status register RegStat. The PENDET working is illustrated in Figure 17.

### 8.4. PENTRIG Mode

The PENTRIG mode offers the best compromise between power consumption and coordinate throughput.

In this mode the SX8653 will wait until a pen is detected on the screen and then starts the coordinate conversions. The host will be signaled only when the screen is touched and coordinates are available. The flowchart is describes in Figure 17.

The coordinate rate in pen trigger mode is determined by the speed of the host reading the channels and the conversion times of the channels. The host performs the minimum number of SPI commands in this mode.

The host has to wait for the NIRQ interrupt to make the acquisition of the data.

The SPI working is illustrated in Figure 16.

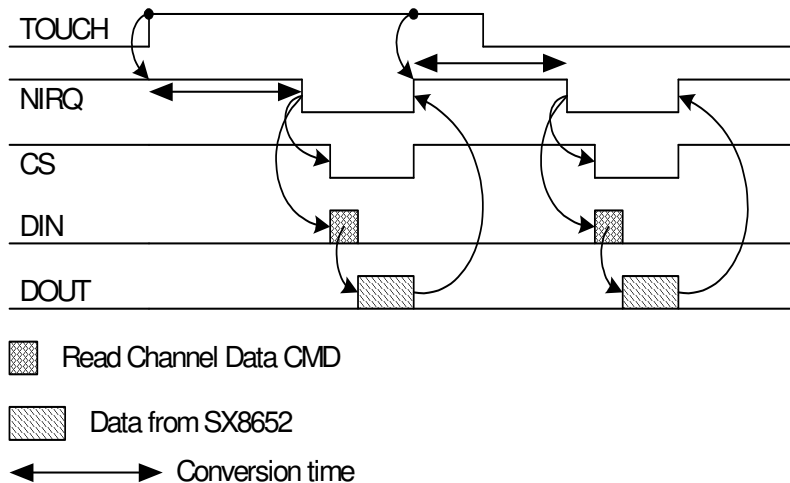


Figure 16. SPI working in PENTRIG mode

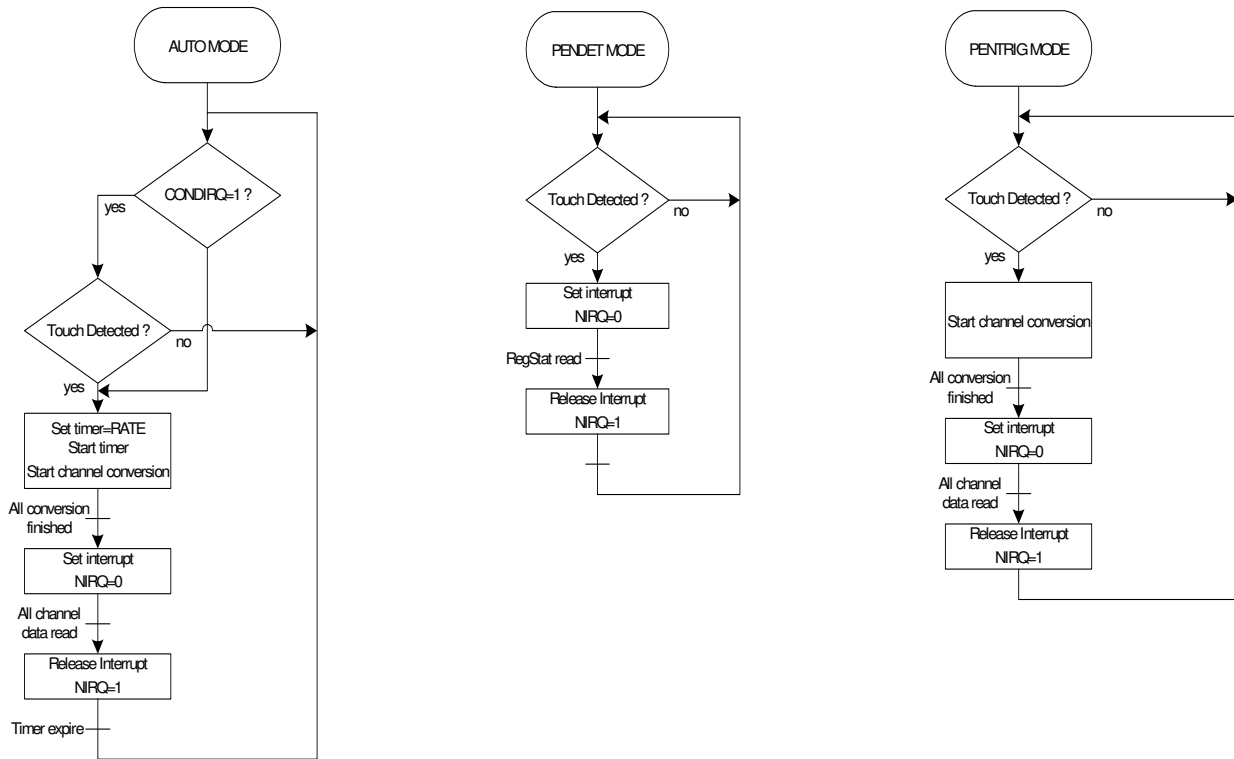


Figure 17. AUTO, PENDET and PENTRIG Mode Flowchart

## 9. Host Interface

The host interfaced is composed of a SPI bus. It performs the read/ write operations on the registers and channels data.

### 9.1. SPI Read/Write Registers

The WRITE command allows the host to write a single or multiple registers in the SX8653. The host can read single or multiple registers from the SX8653 by the READ command. This is defined in Table 11.

W/R command name	CR(7:0)								Function
	7	6	5	4	3	2	1	0	
WRITE(RA)	0	0	0	RA(4:0)					Write register (see Table 15 for RA)
READ(RA)	0	1	0	RA(4:0)					Read register (see Table 15 for RA)

Table 11. W/R commands

### 9.2. SPI Reading Channel Data

Five channels can be sampled by the SX8653: X, Y, Z1, Z2 and AUX. They are defined in Table 13. They can be converted in sequence with the RegChanMsk register.

The READCHAN command allows the host to read the data obtained after the channels conversion and processing.

W/R command name	CR(7:0)								Function
	7	6	5	4	3	2	1	0	
READCHAN	0	0	1	x	x	x	x	x	Read data from channel

Table 12. Read Channels Data

Channel	CHAN(2:0)			Function
	2	1	0	
X	0	0	0	X channel
Y	0	0	1	Y channel
Z1	0	1	0	First channel for pressure measurement
Z2	0	1	1	Second channel for pressure measurement
AUX	1	0	0	Auxiliary channel
RX	1	0	1	Double touch RX measurement
RY	1	1	0	Double touch RY measurement
SEQ	1	1	1	Channel sequentially selected from RegChanMsk register, (see Table 16)

Table 13. Channel definition

The channel data are 12-bit of unsigned format which corresponds to integers between 0 and 4095. This is send on two bytes, MSB first then LSB. A mask with the value 0x0FFF (4095) must be done to filter the four first unknown bit.

When a channel data has been transmitted, the next one is sent in the successive order: X, Y, Z1, Z2 and AUX. If a channel has not been converted, the data is not transmitted.

When the channel data buffer gets empty, the data will carry an invalid data as explained in the channel data format.

Remark: After a conversion sequence, it is possible to read only one time the same channel.

Example: the SX8653 is set to convert X and Y. The value 0xC0 is set in RegChanMsk. The first byte read after the READCHAN command will be X(MSB), then X(LSB), Y(MSB) and at the end Y(LSB). If the host carry on the reading, it will get invalid data.

### 9.3. SPI Host Commands

The host can issue commands to change the operation mode or perform manual actions as defined in Table 14.

command name	CR(7:0)								Function
	7	6	5	4	3	2	1	0	
SELECT(CHAN)	1	0	0	0	x	CHAN(2:0)			Bias channel (see Table 13 for CHAN)
CONVERT(CHAN)	1	0	0	1	x	CHAN(2:0)			Bias channel (see Table 13 for CHAN)
MANAUTO	1	0	1	1	x	x	x	x	Enter manual or automatic mode.
PENDET	1	1	0	0	x	x	x	x	Enter pen detect mode.
PENTRG	1	1	1	0	x	x	x	x	Enter pen trigger mode.

Table 14. Host Commands

### 9.4. SPI implementation and multiple Read/Write

The SPI implemented on the SX8653 is set to the common setting CPOL=0 and CPHA=0 which means data are sampled on the rising edge of the clock, and shifted on the falling one.

The default state of the clock when NCS gets asserted is low. If a host send a command while the system is busy, the command is discarded.

The SPI protocol is designed to be able to do multiple read/write during a transaction. During one single operation, as long as NCS stay asserted, the register address is automatically increased to allow sequential read/write (or sequential retrieval of data). Between each different operation though (READ/WRITE/READCHAN), the communication should be restarted.

This is described in Figure 18.

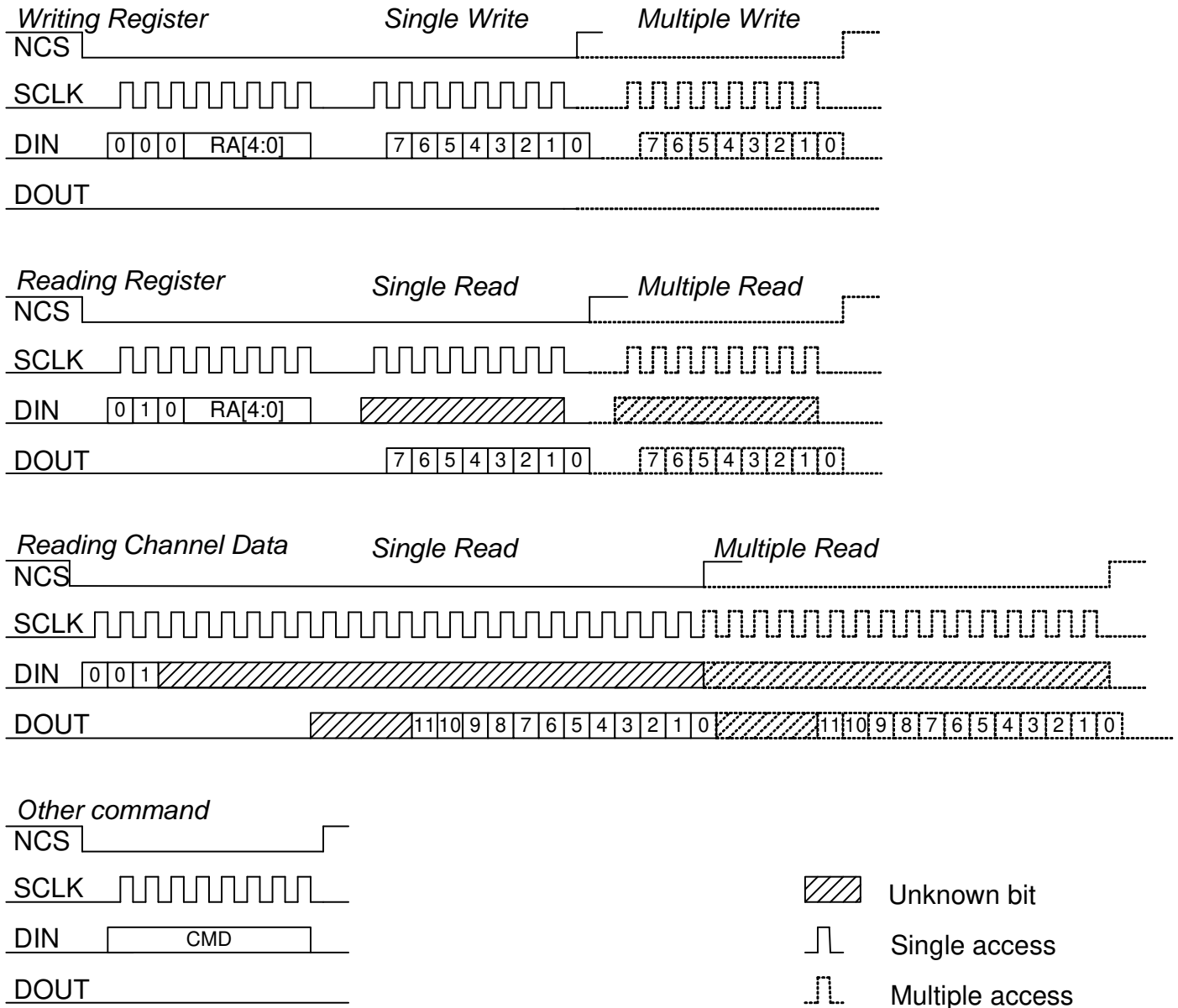


Figure 18. Data channel format

## 9.5. Invalid Qualified Data

The SX8653 returns 0xFFFF data in case of invalid qualified data.

This occurs:

- ◆ When the SX8653 has read all the channel data in the FIFO
- ◆ When a conversion is done without a pen being detected.

**9.6. Register Map**

Register Address RA(4:0)	Register	Description
0 0000	RegCtrl0	Write, Read
0 0001	RegCtrl1	Write, Read
0 0010	RegCtrl2	Write, Read
0 0011	RegCtrl3	Write, Read
0 0100	RegChanMsk	Write, Read
0 0101	RegStat	Read
1 1111	RegSoftReset	Write

*Table 15. Register address*

The details of the registers are described in the next sections.



**9.7. SX8653 register**

Register	Bit	Default	Description	
RegCtrl0	7:4	0000	RATE	Set rate in coordinates per sec (cps) ( $\pm 20\%$ ) If RATE =0: Manual mode. if RATE >0: Automatic mode
				0000: Timer disabled -Manual mode 0001: 10 cps 0010: 20 cps 0011: 40 cps 0100: 60 cps 0101: 80 cps 0110: 100 cps 0111: 200 cps
	3:0	0000	POWDLY	Conversion (or first conversion when filtering is enabled) settling time ( $\pm 10\%$ )
				0000: Immediate (0.5 us) 0001: 1.1 us 0010: 2.2 us 0011: 4.4 us 0100: 8.9 us 0101: 17.8 us 0110: 35.5 us 0111: 71.0 us
RegCtrl1	7:6	00	AUXAQC	00: AUX is used as an analog input (4-wire only) 01: On rising AUX edge, wait POWDLY and start acquisition
				10: On falling AUX edge, wait POWDLY and start acquisition 11: On rising and falling AUX edges, wait POWDLY and start acquisition
	The AUX trigger works only in manual mode with 4-wire touchscreen			
	5	1	CONDIRQ	Enable conditional interrupts 0: interrupt always generated at end of conversion cycle. If no pen is detected the data is set to 'invalid qualified'. 1: interrupt generated when pen detect is successful
	4	0	SCREEN	Select the type of screen: 0: 4-wire 1: 5-wire
RegCtrl2	3:0	0000	SETDLY	Settling time while filtering ( $\pm 10\%$ )
				0000: Immediate (0.5 us) 0001: 1.1 us 0010: 2.2 us 0011: 4.4 us 0100: 8.9 us 0101: 17.8 us 0110: 35.5 us 0111: 71.0 us
	7:4	0	don't care	
	3:0	0000	SETDLY	Settling time while filtering ( $\pm 10\%$ )
				0000: Immediate (0.5 us) 0001: 1.1 us 0010: 2.2 us 0011: 4.4 us 0100: 8.9 us 0101: 17.8 us 0110: 35.5 us 0111: 71.0 us

Table 16. SX8653 Register

Register	Bit	Default	Description		
RegCtrl3	7:6	0	don't care		
	5:3	RmSelY	Check Table 8		
	2:0	RmSelX	Check Table 8		
RegChanMsk	7	1	XCONV	0: no sample	1: Sample X channel
	6	1	YCONV	0: no sample	1: Sample Y channel
	5	0	Z1CONV	0: no sample	1: Sample Z1 channel
	4	0	Z2CONV	0: no sample	1: Sample Z2 channel
	3	0	AUXCONV	0: no sample	1: Sample AUX channel
	0	0	RXCONV	0: no sample	1: Sample RX channel
	0	0	RYCONV	0: no sample	1: Sample RY channel
	0	0	don't care		
RegStat	Host writing to this register is ignored.				
	7	0	CONVIRQ	0: no IRQ pending 1: Conversion sequence finished IRQ is cleared by the channel data read command	
	6	0	PENIRQ	Operational in pen detect mode 0: no IRQ pending 1: Pen detected IRQ pending IRQ is cleared by the RegStat reading	
	5	1	RSTEVENT	A reset event has occurred	
	4:0	00000	don't care		
RegSoftReset	7:0	0x00	Writing 0xDE to this register reset the SX8653 Any other data will not affect the SX8653		

Table 16. SX8653 Register

## 10. Application Information

This section describes in more detail application oriented data.

### 10.1. Acquisition Setup

Prior to an acquisition, the SX8653 can be setup by writing the control registers. Registers are written by issuing the register write command. They can be read by issuing the read command. Please refer to the section [9.7].

### 10.2. Channel Selection

The SX8653 can be setup to start a single channel conversion or to convert several channels in sequence. For a single conversion, the channel to be converted is determined from the CHAN(2:0) field in the command word (defined in Table 13).

Several channels defined in RegChanMsk can be acquired sequentially by setting the CHAN(2:0) field to SEQ. The channels will be sampled in the order X, Y, Z1, Z2, AUX.

### 10.3. Noise Reduction

A noisy environment can decrease the performance of the controller. For example, an LCD display located just under the touch screen can add a lot of noise on the high impedance A/D converter inputs.

#### 10.3.1. POWDLY