



Chipsmall Limited consists of a professional team with an average of over 10 year of expertise in the distribution of electronic components. Based in Hongkong, we have already established firm and mutual-benefit business relationships with customers from,Europe,America and south Asia,supplying obsolete and hard-to-find components to meet their specific needs.

With the principle of "Quality Parts,Customers Priority,Honest Operation,and Considerate Service",our business mainly focus on the distribution of electronic components. Line cards we deal with include Microchip,ALPS,ROHM,Xilinx,Pulse,ON,Everlight and Freescale. Main products comprise IC,Modules,Potentiometer,IC Socket,Relay,Connector.Our parts cover such applications as commercial,industrial, and automotives areas.

We are looking forward to setting up business relationship with you and hope to provide you with the best service and solution. Let us make a better world for our industry!



Contact us

Tel: +86-755-8981 8866 Fax: +86-755-8427 6832

Email & Skype: info@chipsmall.com Web: www.chipsmall.com

Address: A1208, Overseas Decoration Building, #122 Zhenhua RD., Futian, Shenzhen, China





**5-BIT 2:1
MULTIPLEXER**

**SY10E158
SY100E158**

FEATURES

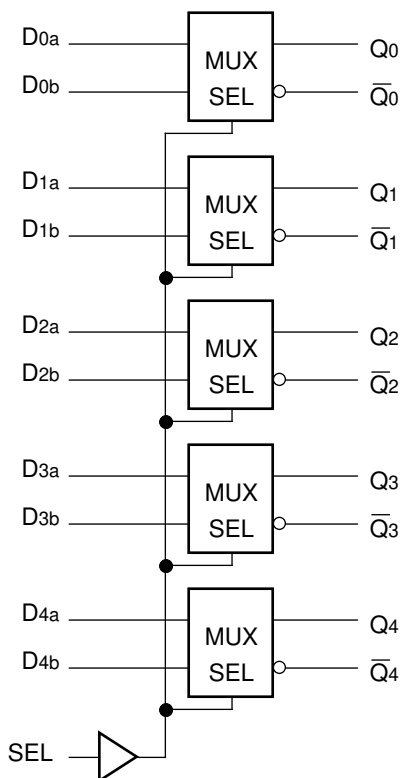
- 550ps max. D to output
- Extended 100E VEE range of -4.2V to -5.5V
- 775ps max. SEL to output
- Differential outputs
- Fully compatible with industry standard 10KH, 100K ECL levels
- Internal 75KΩ input pulldown resistors
- Fully compatible with Motorola MC10E/100E158
- Available in 28-pin PLCC package

DESCRIPTION

The SY10/100E158 offer five 2:1 multiplexers with differential outputs, designed for use in new, high-performance ECL systems.

The multiplexer operation is controlled by the SEL (Select) signal which selects one of the two bits of input data at each mux to be passed through.

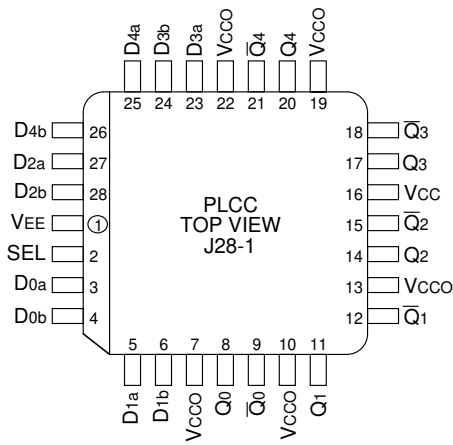
BLOCK DIAGRAM



PIN NAMES

Pin	Function
D0a-D4a	Input Data a
D0b-D4b	Input Data b
SEL	Select Input
Q0-Q4	True Outputs
Q0-bar-Q4-bar	Inverted Outputs
Vcco	Vcc to Output

PACKAGE/ORDERING INFORMATION



28-Pin PLCC (J28-1)

Ordering Information⁽¹⁾

Part Number	Package Type	Operating Range	Package Marking	Lead Finish
SY10E158JC	J28-1	Commercial	SY10E158JC	Sn-Pb
SY10E158JCTR ⁽²⁾	J28-1	Commercial	SY10E158JC	Sn-Pb
SY100E158JC	J28-1	Commercial	SY100E158JC	Sn-Pb
SY100E158JCTR ⁽²⁾	J28-1	Commercial	SY100E158JC	Sn-Pb
SY10E158JZ ⁽³⁾	J28-1	Commercial	SY10E158JZ with Pb-Free bar-line indicator	Matte-Sn
SY10E158JZTR ^(2, 3)	J28-1	Commercial	SY10E158JZ with Pb-Free bar-line indicator	Matte-Sn
SY100E158JZ ⁽³⁾	J28-1	Commercial	SY100E158JZ with Pb-Free bar-line indicator	Matte-Sn
SY100E158JZTR ^(2, 3)	J28-1	Commercial	SY100E158JZ with Pb-Free bar-line indicator	Matte-Sn

Notes:

1. Contact factory for die availability. Dice are guaranteed at T_A = 25°C, DC Electricals only.
2. Tape and Reel.
3. Pb-Free package is recommended for new designs.

TRUTH TABLE

SEL	Data
H	a
L	b

DC ELECTRICAL CHARACTERISTICS

$V_{EE} = V_{EE} \text{ (Min.) to } V_{EE} \text{ (Max.)}; V_{CC} = V_{CCO} = \text{GND}$

Symbol	Parameter	$T_A = 0^\circ\text{C}$			$T_A = +25^\circ\text{C}$			$T_A = +85^\circ\text{C}$			Unit	Condition
		Min.	Typ.	Max.	Min.	Typ.	Max.	Min.	Typ.	Max.		
I _{IH}	Input HIGH Current	—	—	200	—	—	200	—	—	200	μA	—
	D SEL	—	—	150	—	—	150	—	—	150		
I _{EE}	Power Supply Current	—	—	—	—	—	—	—	—	—	mA	—
	10E	—	33	40	—	33	40	—	33	40		
	100E	—	33	40	—	33	40	—	38	46		

AC ELECTRICAL CHARACTERISTICS

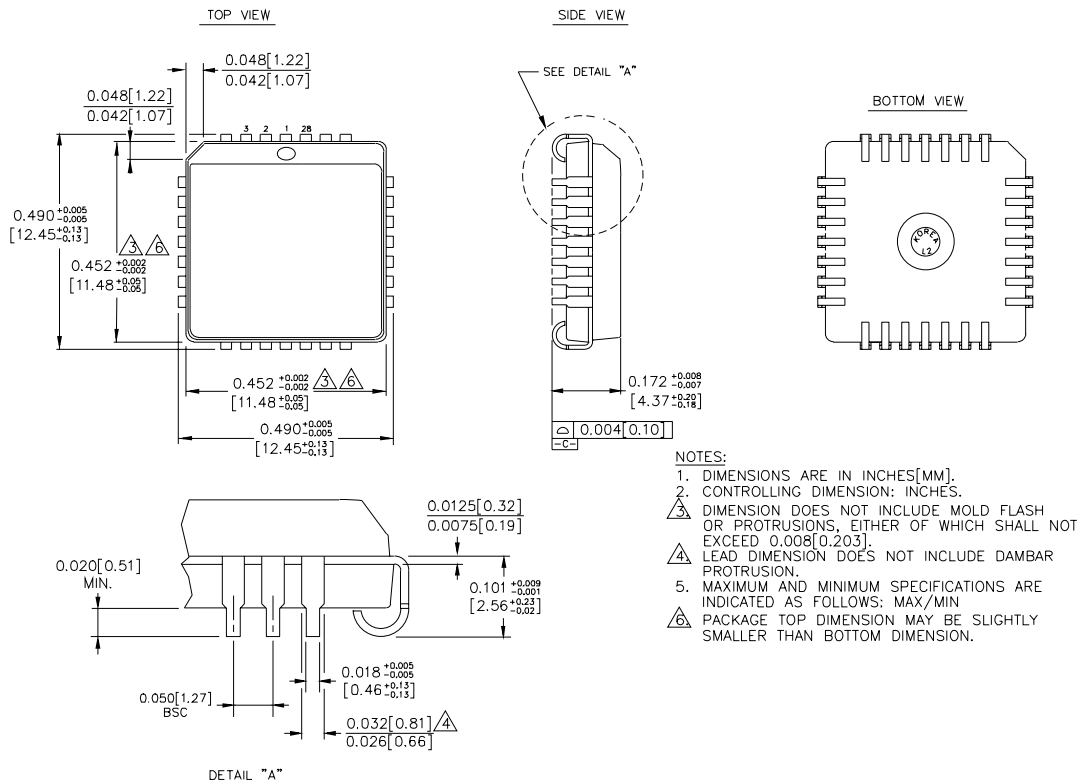
$V_{EE} = V_{EE} \text{ (Min.) to } V_{EE} \text{ (Max.)}; V_{CC} = V_{CCO} = \text{GND}$

Symbol	Parameter	$T_A = 0^\circ\text{C}$			$T_A = +25^\circ\text{C}$			$T_A = +85^\circ\text{C}$			Unit	Condition
		Min.	Typ.	Max.	Min.	Typ.	Max.	Min.	Typ.	Max.		
t _{PD}	Propagation Delay to Output	225	385	550	225	385	550	225	385	550	ps	—
	D SEL	400	600	775	400	600	775	400	600	775		
t _{skew}	Within-Device Skew	—	60	—	—	60	—	—	60	—	ps	1
t _r t _f	Rise/Fall Time 20% to 80%	275	425	650	275	425	650	275	425	650	ps	—

Note:

1. Within-device skew is defined as identical transitions on similar paths through a device.

28-PIN PLCC (J28-1)



Rev. 03

MICREL, INC. 2180 FORTUNE DRIVE SAN JOSE, CA 95131 USA

TEL + 1 (408) 944-0800 FAX + 1 (408) 474-1000 WEB <http://www.micrel.com>

The information furnished by Micrel in this data sheet is believed to be accurate and reliable. However, no responsibility is assumed by Micrel for its use. Micrel reserves the right to change circuitry and specifications at any time without notification to the customer.

Micrel Products are not designed or authorized for use as components in life support appliances, devices or systems where malfunction of a product can reasonably be expected to result in personal injury. Life support devices or systems are devices or systems that (a) are intended for surgical implant into the body or (b) support or sustain life, and whose failure to perform can be reasonably expected to result in a significant injury to the user. A Purchaser's use or sale of Micrel Products for use in life support appliances, devices or systems is at Purchaser's own risk and Purchaser agrees to fully indemnify Micrel for any damages resulting from such use or sale.

© 2006 Micrel, Incorporated.