



Chipsmall Limited consists of a professional team with an average of over 10 year of expertise in the distribution of electronic components. Based in Hongkong, we have already established firm and mutual-benefit business relationships with customers from,Europe,America and south Asia,supplying obsolete and hard-to-find components to meet their specific needs.

With the principle of “Quality Parts,Customers Priority,Honest Operation,and Considerate Service”,our business mainly focus on the distribution of electronic components. Line cards we deal with include Microchip,ALPS,ROHM,Xilinx,Pulse,ON,Everlight and Freescale. Main products comprise IC,Modules,Potentiometer,IC Socket,Relay,Connector.Our parts cover such applications as commercial,industrial, and automotives areas.

We are looking forward to setting up business relationship with you and hope to provide you with the best service and solution. Let us make a better world for our industry!



Contact us

Tel: +86-755-8981 8866 Fax: +86-755-8427 6832

Email & Skype: info@chipsmall.com Web: www.chipsmall.com

Address: A1208, Overseas Decoration Building, #122 Zhenhua RD., Futian, Shenzhen, China



**LOW-IMPEDANCE
DRIVER****SY10EL12
SY100EL12****FEATURES**

- 290ps propagation delay
- Dual outputs for 25Ω drive applications
- Internal 75KΩ input pull-down resistors
- Available in 8-pin SOIC package

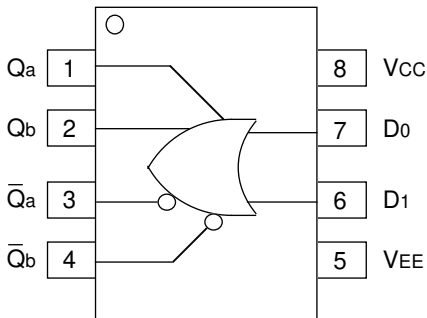
DESCRIPTION

The SY10/100EL12 are low-impedance drive buffers. With two pairs of OR/NOR outputs, the devices are ideally suited for high drive applications such as memory addressing. These devices are functionally equivalent to the E112 devices, with higher performance capabilities. With propagation delays significantly faster than the E112, the EL12 is ideally suited for those applications which require the ultimate in AC performance.

PIN NAMES

Pin	Function
D0, D1	Data Inputs
Qa, Qb	Data Outputs

PACKAGE/ORDERING INFORMATION



8-Pin SOIC (Z8-1)

Ordering Information⁽¹⁾

Part Number	Package Type	Operating Range	Package Marking	Lead Finish
SY10EL12ZC	Z8-1	Commercial	HEL12	Sn-Pb
SY10EL12ZCTR ⁽²⁾	Z8-1	Commercial	HEL12	Sn-Pb
SY100EL12ZC	Z8-1	Commercial	XEL12	Sn-Pb
SY100EL12ZCTR ⁽²⁾	Z8-1	Commercial	XEL12	Sn-Pb
SY10EL12ZI	Z8-1	Industrial	HEL12	Sn-Pb
SY10EL12ZITR ⁽²⁾	Z8-1	Industrial	HEL12	Sn-Pb
SY100EL12ZI	Z8-1	Industrial	XEL12	Sn-Pb
SY100EL12ZITR ⁽²⁾	Z8-1	Industrial	XEL12	Sn-Pb
SY10EL12ZG ⁽³⁾	Z8-1	Industrial	HEL12 with Pb-Free bar-line indicator	Pb-Free NiPdAu
SY10EL12ZGTR ^(2, 3)	Z8-1	Industrial	HEL12 with Pb-Free bar-line indicator	Pb-Free NiPdAu
SY100EL12ZG ⁽³⁾	Z8-1	Industrial	XEL12 with Pb-Free bar-line indicator	Pb-Free NiPdAu
SY100EL12ZGTR ^(2, 3)	Z8-1	Industrial	XEL12 with Pb-Free bar-line indicator	Pb-Free NiPdAu

Notes:

1. Contact factory for die availability. Dice are guaranteed at T_A = 25°C, DC Electricals only.
2. Tape and Reel.
3. Pb-Free package is recommended for new designs.

DC ELECTRICAL CHARACTERISTICS

VEE = VEE (Min.) to VEE (Max.); VCC = GND

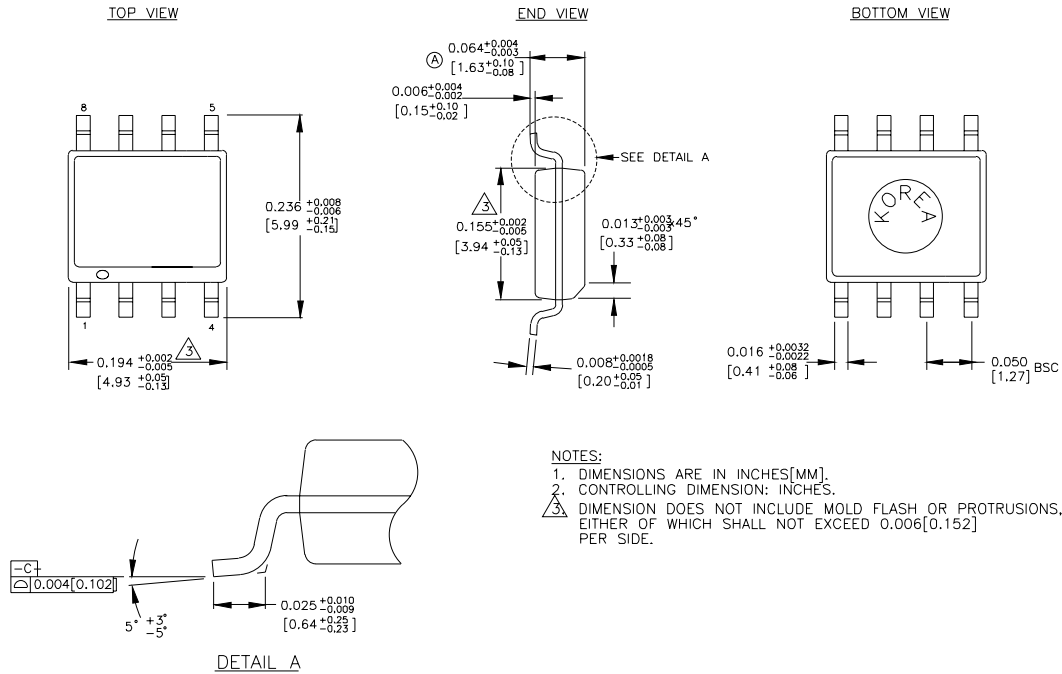
Symbol	Parameter	TA = -40°C			TA = 0°C			TA = +25°C			TA = +85°C			Unit
		Min.	Typ.	Max.	Min.	Typ.	Max.	Min.	Typ.	Max.	Min.	Typ.	Max.	
IEE	Power Supply Current													mA
	10EL	—	14	17	11	14	17	11	14	17	11	14	17	
	100EL	—	14	17	11	14	17	11	14	17	13	16	20	
VEE	Power Supply Voltage													V
	10EL	-4.75	-5.2	-5.5	-4.75	-5.2	-5.5	-4.75	-5.2	-5.5	-4.75	-5.2	-5.5	
	100EL	-4.20	-4.5	-5.5	-4.20	-4.5	-5.5	-4.20	-4.5	-5.5	-4.20	-4.5	-5.5	
I _{IH}	Input HIGH Current	—	—	150	—	—	150	—	—	150	—	—	150	μA

AC ELECTRICAL CHARACTERISTICS

VEE = VEE (Min.) to VEE (Max.); VCC = GND

Symbol	Parameter	TA = -40°C			TA = 0°C			TA = +25°C			TA = +85°C			Unit
		Min.	Typ.	Max.	Min.	Typ.	Max.	Min.	Typ.	Max.	Min.	Typ.	Max.	
t _{PLH} t _{PHL}	Propagation Delay to Output D	120	280	500	170	280	450	180	290	450	210	320	480	ps
t _r t _f	Output Rise/Fall Times Q (20% to 80%)	150	350	550	150	350	550	150	350	550	150	350	550	ps

8-PIN SOIC .150" WIDE (Z8-1)



Rev. 03

MICREL, INC. 2180 FORTUNE DRIVE SAN JOSE, CA 95131 USA

TEL + 1 (408) 944-0800 FAX + 1 (408) 474-1000 WEB <http://www.micrel.com>

The information furnished by Micrel in this datasheet is believed to be accurate and reliable. However, no responsibility is assumed by Micrel for its use. Micrel reserves the right to change circuitry and specifications at any time without notification to the customer.

Micrel Products are not designed or authorized for use as components in life support appliances, devices or systems where malfunction of a product can reasonably be expected to result in personal injury. Life support devices or systems are devices or systems that (a) are intended for surgical implant into the body or (b) support or sustain life, and whose failure to perform can be reasonably expected to result in a significant injury to the user. A Purchaser's use or sale of Micrel Products for use in life support appliances, devices or systems is at Purchaser's own risk and Purchaser agrees to fully indemnify Micrel for any damages resulting from such use or sale.

© 2006 Micrel, Incorporated.