



Chipsmall Limited consists of a professional team with an average of over 10 year of expertise in the distribution of electronic components. Based in Hongkong, we have already established firm and mutual-benefit business relationships with customers from,Europe,America and south Asia,supplying obsolete and hard-to-find components to meet their specific needs.

With the principle of "Quality Parts,Customers Priority,Honest Operation,and Considerate Service",our business mainly focus on the distribution of electronic components. Line cards we deal with include Microchip,ALPS,ROHM,Xilinx,Pulse,ON,Everlight and Freescale. Main products comprise IC,Modules,Potentiometer,IC Socket,Relay,Connector.Our parts cover such applications as commercial,industrial, and automotives areas.

We are looking forward to setting up business relationship with you and hope to provide you with the best service and solution. Let us make a better world for our industry!



Contact us

Tel: +86-755-8981 8866 Fax: +86-755-8427 6832

Email & Skype: info@chipsmall.com Web: www.chipsmall.com

Address: A1208, Overseas Decoration Building, #122 Zhenhua RD., Futian, Shenzhen, China





FEATURES

- 3.3V and 5V power supply options
- 500ps propagation delay
- Fully differential design
- Supports both standard and low voltage operation
- Available in 20-pin SOIC package

DESCRIPTION

The SY100EL90V is a triple ECL/LVECL-to-PECL/LVPECL translator. The device can translate over all combinations of supply voltages: -5V ECL to 5V PECL, -5V ECL to 3.3V LVPECL, -3.3V LVECL to 5V PECL or -3.3V LVECL to 3.3V LVPECL.

A V_{BB} output is provided for interfacing with single ended ECL signals at the input. If a single ended input is to be used, the V_{BB} output should be connected to the \bar{D} input. The active signal would then drive the D input. When used, the V_{BB} output should be bypassed to ground via a 0.01 μ F capacitor. The V_{BB} output is designed to act as the switching reference for the EL90V under single ended input switching conditions. As a result this pin can only source/sink up to 0.5mA of current.

To accomplish the level translation the EL90V requires three power rails. The V_{CC} supply should be connected to the positive supply, and the V_{EE} pin should be connected to the negative power supply. The GND pins as expected are connected to the system ground plane. Both V_{EE} and V_{CC} should be bypassed to ground via 0.01 μ F capacitors.

Under open input conditions, the \bar{D} input will be biased at $V_{CC}/2$ and the D input will be pulled to V_{EE} . This condition will force the Q output to a LOW, ensuring stability.

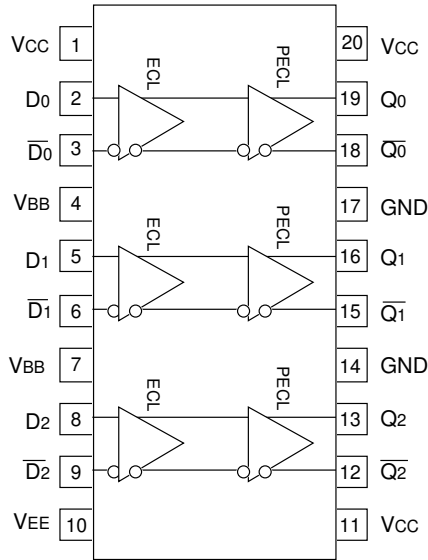
FUNCTION TABLE

| Function | V _{CC} | GND | V _{EE} |
|----------------------------|-----------------|-----|-----------------|
| -5V ECL to 5V PECL | 5V | 0V | -5V |
| -5V ECL to 3.3V LVPECL | 3.3V | 0V | -5V |
| -3.3V LVECL to 5V PECL | 5V | 0V | -3.3V |
| -3.3V LVECL to 3.3V LVPECL | 3.3V | 0V | -3.3V |

PIN NAMES

| Pin | Function |
|-----------------|------------------------------------|
| D _n | ECL/LVECL Inputs |
| Q _n | PECL/LVPECL Outputs |
| V _{BB} | ECL/LVECL Reference Voltage Output |

PACKAGE/ORDERING INFORMATION



20-Pin Wide SOIC (Z20-1)

Ordering Information⁽¹⁾

| Part Number | Package Type | Operating Range | Package Marking | Lead Finish |
|----------------------------------|--------------|-----------------|--|----------------|
| SY100EL90VZC | Z20-1 | Commercial | SY100EL90VZC | Sn-Pb |
| SY100EL90VZCTR ⁽²⁾ | Z20-1 | Commercial | SY100EL90VZC | Sn-Pb |
| SY100EL90VZI | Z20-1 | Industrial | SY100EL90VZI | Sn-Pb |
| SY100EL90VZITR ⁽²⁾ | Z20-1 | Industrial | SY100EL90VZI | Sn-Pb |
| SY100EL90VZG ⁽³⁾ | Z20-1 | Industrial | SY100EL90VZG with Pb-Free bar-line indicator | NiPdAu Pb-Free |
| SY100EL90VZGTR ^(2, 3) | Z20-1 | Industrial | SY100EL90VZG with Pb-Free bar-line indicator | NiPdAu Pb-Free |

Notes:

1. Contact factory for die availability. Dice are guaranteed at $T_A = 25^\circ\text{C}$, DC Electricals only.
2. Tape and Reel.
3. Pb-Free package is recommended for new designs.

ECL/LVECL INPUT DC ELECTRICAL CHARACTERISTICSECL: $V_{EE} = -4.2V$ to $-5.5V$; LVECL: $V_{EE} = -3.0V$ to $-3.8V$

| Symbol | Parameter | $T_A = -40^\circ C$ | | | $T_A = 0^\circ C$ | | | $T_A = +25^\circ C$ | | | $T_A = +85^\circ C$ | | | Unit |
|----------|---|---------------------|--------|--------|-------------------|--------|--------|---------------------|--------|--------|---------------------|--------|--------|---------|
| | | Min. | Typ. | Max. | Min. | Typ. | Max. | Min. | Typ. | Max. | Min. | Typ. | Max. | |
| V_{IH} | Input HIGH Voltage | -1165 | — | -880 | -1165 | — | -880 | -1165 | — | -880 | -1165 | — | -880 | mV |
| V_{IL} | Input LOW Voltage | -1810 | — | -1475 | -1810 | — | -1475 | -1810 | — | -1475 | -1810 | — | -1475 | mV |
| I_{EE} | Power Supply Current | — | — | 8 | — | — | 8 | — | — | 8 | — | — | 8 | mA |
| I_{IH} | Input HIGH Current | — | — | 150 | — | — | 150 | — | — | 150 | — | — | 150 | μA |
| I_{IL} | Input LOW Current D_n $\overline{D_n}$ | 0.5 -600 | — — | — — | 0.5 -600 | — — | — — | 0.5 -600 | — — | — — | 0.5 -600 | — — | — — | μA |
| V_{BB} | Output Reference | -1.38 | — | -1.26 | -1.38 | — | -1.26 | -1.38 | — | -1.26 | -1.38 | — | -1.26 | V |
| V_{PP} | Minimum Peak-to-Peak Input | 150 | — | — | 150 | — | — | 150 | — | — | 150 | — | — | mV |

LVPECL OUTPUT DC ELECTRICAL CHARACTERISTICS $V_{CC} = +3.0V$ to $+3.8V$

| Symbol | Parameter | $T_A = -40^\circ C$ | | | $T_A = 0^\circ C$ | | | $T_A = +25^\circ C$ | | | $T_A = +85^\circ C$ | | | Unit |
|----------|------------------------------------|---------------------|------|-------|-------------------|------|-------|---------------------|-------|-------|---------------------|------|-------|------|
| | | Min. | Typ. | Max. | Min. | Typ. | Max. | Min. | Typ. | Max. | Min. | Typ. | Max. | |
| V_{OH} | Output HIGH Voltage ⁽¹⁾ | 2.215 | — | 2.420 | 2.275 | — | 2.420 | 2.275 | 2.350 | 2.420 | 2.275 | — | 2.420 | V |
| V_{OL} | Output LOW Voltage ⁽¹⁾ | 1.470 | — | 1.745 | 1.490 | — | 1.680 | 1.490 | 1.600 | 1.680 | 1.490 | — | 1.680 | V |
| I_{CC} | Power Supply Current | — | — | 24 | — | — | 24 | — | 20 | 24 | — | — | 26 | mA |

Note:1. These levels are for $V_{CC} = 3.3V$. Level specifications will vary 1:1 with V_{CC} .**PECL OUTPUT DC ELECTRICAL CHARACTERISTICS** $V_{CC} = +4.2V$ to $+5.5V$

| Symbol | Parameter | $T_A = -40^\circ C$ | | | $T_A = 0^\circ C$ | | | $T_A = +25^\circ C$ | | | $T_A = +85^\circ C$ | | | Unit |
|----------|------------------------------------|---------------------|------|-------|-------------------|------|-------|---------------------|-------|-------|---------------------|------|-------|------|
| | | Min. | Typ. | Max. | Min. | Typ. | Max. | Min. | Typ. | Max. | Min. | Typ. | Max. | |
| V_{OH} | Output HIGH Voltage ⁽¹⁾ | 3.915 | — | 4.120 | 3.975 | — | 4.120 | 3.975 | 4.050 | 4.120 | 3.975 | — | 4.120 | V |
| V_{OL} | Output LOW Voltage ⁽¹⁾ | 3.170 | — | 3.445 | 3.190 | — | 3.380 | 3.190 | 3.300 | 3.380 | 3.190 | — | 3.380 | V |
| I_{CC} | Power Supply Current | — | — | 24 | — | — | 24 | — | 20 | 24 | — | — | 26 | mA |

Note:1. These values are for $V_{CC} = 5V$. Level specifications will vary 1:1 with V_{CC} .

AC ELECTRICAL CHARACTERISTICS

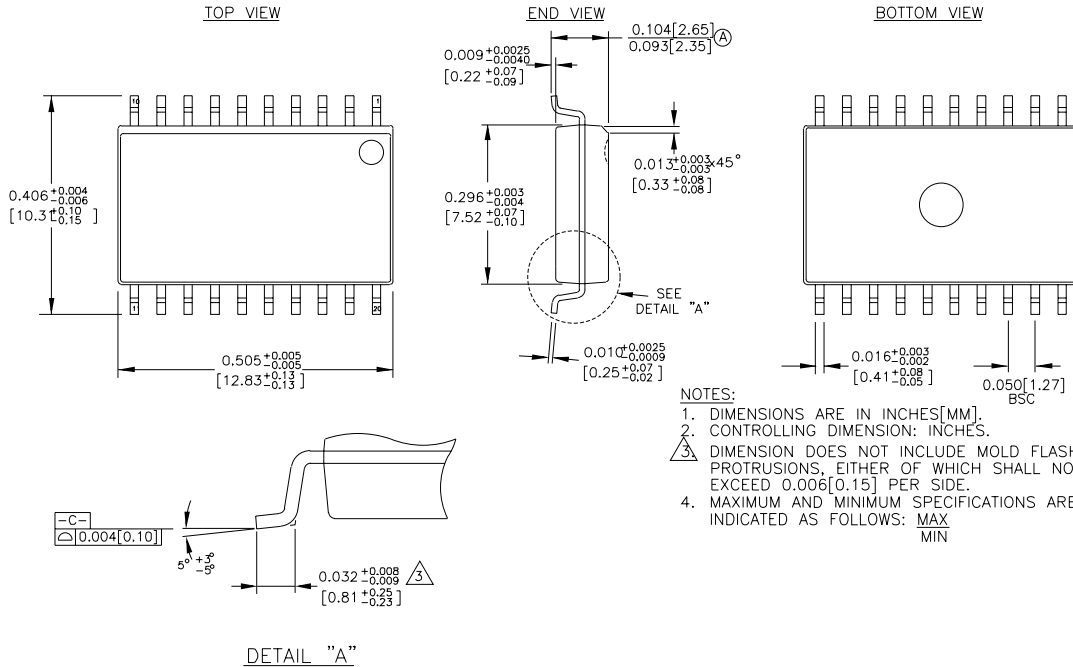
ECL: $V_{EE} = -4.2V$ to $-5.5V$; LVECL: $V_{EE} = -3.0V$ to $-3.8V$; PECL: $V_{CC} = +4.2V$ to $+5.5V$; LVPECL: $V_{CC} = +3.0V$ to $+3.8V$

| Symbol | Parameter | $T_A = -40^\circ C$ | | | $T_A = 0^\circ C$ | | | $T_A = +25^\circ C$ | | | $T_A = +85^\circ C$ | | | Unit | |
|----------------|--|---------------------|------|------|-------------------|------|------|---------------------|------|------|---------------------|------|------|------|----|
| | | Min. | Typ. | Max. | Min. | Typ. | Max. | Min. | Typ. | Max. | Min. | Typ. | Max. | | |
| t_{PD} | Propagation Delay D to Q | Diff. | 390 | — | 590 | 410 | — | 610 | 420 | — | 620 | 460 | — | 660 | ps |
| | | S.E. | 340 | — | 640 | 360 | — | 660 | 370 | — | 670 | 410 | — | 710 | |
| t_{skew} | Within-Device Skew ⁽¹⁾ | — | 20 | 100 | — | 20 | 100 | — | 20 | 100 | — | 20 | 100 | ps | |
| | Output-to-Output | — | — | 200 | — | — | 200 | — | — | 200 | — | — | 200 | | |
| | Part-to-Part (Diff.) Duty Cycle (Diff.) | — | 25 | — | — | 25 | — | — | 25 | — | — | 25 | — | | |
| V_{PP} | Minimum Input Swing ⁽²⁾ | 150 | — | — | 150 | — | — | 150 | — | — | 150 | — | — | mV | |
| V_{CMR} | Common Mode Range ⁽³⁾ | — | — | -0.4 | — | — | -0.4 | — | — | -0.4 | — | — | -0.4 | V | |
| t_r t_f | Output Rise/Fall Times Q (20% to 80%) | 230 | — | 500 | 230 | — | 500 | 230 | — | 500 | 230 | — | 500 | ps | |

Notes:

- Skew is measured between outputs under identical transitions.
- Minimum input swing for which AC parameters are guaranteed. The device will function reliably with differential inputs down to 100mV.
- The CMR range is referenced to the most positive side of the differential input signal. Normal operation is obtained if the HIGH level falls within the specified range and the peak-to-peak voltage lies between V_{PP} min. and 1V. V_{CMR} min. depends on V_{EE} , V_{PP} and temperature at $V_{PP} < 500mV$ and $-40^\circ C$, V_{CMR} is $V_{EE}+1.3V$; and for $0-85^\circ C$, V_{CMR} is $V_{EE}+1.2V$. At $V_{PP} \geq 500mV$ and $-40^\circ C$, V_{CMR} is $V_{EE}+1.5V$; and for $0-85^\circ C$, V_{CMR} is $V_{EE}+1.4V$.

20-PIN SOIC .300" WIDE (Z20-1)



Rev. 03

MICREL, INC. 2180 FORTUNE DRIVE SAN JOSE, CA 95131 USA

TEL + 1 (408) 944-0800 FAX + 1 (408) 474-1000 WEB <http://www.micrel.com>

The information furnished by Micrel in this datasheet is believed to be accurate and reliable. However, no responsibility is assumed by Micrel for its use. Micrel reserves the right to change circuitry and specifications at any time without notification to the customer.

Micrel Products are not designed or authorized for use as components in life support appliances, devices or systems where malfunction of a product can reasonably be expected to result in personal injury. Life support devices or systems are devices or systems that (a) are intended for surgical implant into the body or (b) support or sustain life, and whose failure to perform can be reasonably expected to result in a significant injury to the user. A Purchaser's use or sale of Micrel Products for use in life support appliances, devices or systems is at Purchaser's own risk and Purchaser agrees to fully indemnify Micrel for any damages resulting from such use or sale.

© 2006 Micrel, Incorporated.