



Chipsmall Limited consists of a professional team with an average of over 10 year of expertise in the distribution of electronic components. Based in Hongkong, we have already established firm and mutual-benefit business relationships with customers from,Europe,America and south Asia,supplying obsolete and hard-to-find components to meet their specific needs.

With the principle of “Quality Parts,Customers Priority,Honest Operation,and Considerate Service”,our business mainly focus on the distribution of electronic components. Line cards we deal with include Microchip,ALPS,ROHM,Xilinx,Pulse,ON,Everlight and Freescale. Main products comprise IC,Modules,Potentiometer,IC Socket,Relay,Connector.Our parts cover such applications as commercial,industrial, and automotives areas.

We are looking forward to setting up business relationship with you and hope to provide you with the best service and solution. Let us make a better world for our industry!



## Contact us

Tel: +86-755-8981 8866 Fax: +86-755-8427 6832

Email & Skype: info@chipsmall.com Web: www.chipsmall.com

Address: A1208, Overseas Decoration Building, #122 Zhenhua RD., Futian, Shenzhen, China





# SY10EP33V/SY100EP33V

5V/3.3V, 4GHz, ÷4 PECL/LVPECL Divider

Precision Edge®



ECL Pro™

## General Description

The SY10/100EP33V is an integrated ÷4 divider.

The V<sub>BB</sub> pin, an internally-generated voltage supply, is available to this device only. For single-ended input conditions, the unused differential input is connected to V<sub>BB</sub> as a switching reference voltage. V<sub>BB</sub> may also rebias AC-coupled inputs. When used, decouple V<sub>BB</sub> to V<sub>CC</sub> via a 0.01µF capacitor and limit current sourcing or sinking to 0.5mA. When not used, V<sub>BB</sub> should be left open.

The reset pin is asynchronous and is asserted on the rising edge. Upon power-up, the internal flip-flops will attain a random state; the reset allows for the synchronous use of multiple EP33s in a system.

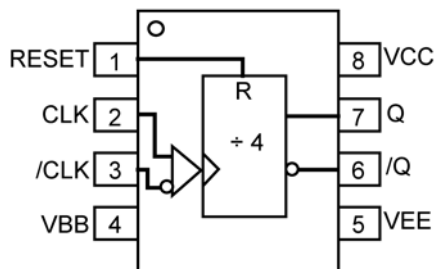
The 100K Series includes internal temperature compensation circuitry.

Data sheets and support documentation can be found on Micrel's web site at [www.micrel.com](http://www.micrel.com).

## Features

- Guaranteed maximum frequency >4GHz
- 3.3V and 5V power supply options
- Guaranteed propagation delay <460ps over temperature
- Internal 75kΩ input pull-down resistors
- Wide operating temperature range (-40°C to +85°C)
- Available in 8-pin MSOP and SOIC packages

## Pin Configuration



Top View  
(Available in MSOP or SOIC Package)

## Pin Description

Pin Number	Pin Function
CLK, /CLK	ECL Clock Inputs with Internal 75kΩ Pull-Down Transistor. Default State is LOW
RESET	ECL Asynchronous Reset
VBB	Reference Voltage Output
Q, /Q	ECL Data Outputs



ECL Pro is a trademark of Micrel, Inc  
Precision Edge is a registered trademark of Micrel, Inc.

Micrel Inc. • 2180 Fortune Drive • San Jose, CA 95131 • USA • tel +1 (408) 944-0800 • fax + 1 (408) 474-1000 • <http://www.micrel.com>

December 2010

M9999-121010  
[hbwhelp@micrel.com](mailto:hbwhelp@micrel.com) or (408) 955-1690

## Truth Table

CLK	/CLK	RESET	Q	/Q
X	X	Z <sup>(2)</sup>	L	H
		L	F	F

**Notes:**

1. F = Divide by 4 function.
2. Z = LOW to HIGH transition.

## Ordering Information<sup>(1)</sup>

Part Number	Package Type	Operating Range	Package Marking	Lead Finish
SY10EP33VZC	Z8-1	Commercial	HEP33V	Sn-Pb
SY10EP33VZCTR <sup>(2)</sup>	Z8-1	Commercial	HEP33V	Sn-Pb
SY100EP33VZC	Z8-1	Commercial	XEP33V	Sn-Pb
SY100EP33VZCTR <sup>(2)</sup>	Z8-1	Commercial	XEP33V	Sn-Pb
SY10EP33VKC	K8-1	Commercial	HP33	Sn-Pb
SY10EP33VKCTR <sup>(2)</sup>	K8-1	Commercial	HP33	Sn-Pb
SY100EP33VKC	K8-1	Commercial	XP33	Sn-Pb
SY100EP33VKCTR <sup>(2)</sup>	K8-1	Commercial	XP33	Sn-Pb
SY10EP33VZI	Z8-1	Industrial	HEP33V	Sn-Pb
SY10EP33VZITR <sup>(2)</sup>	Z8-1	Industrial	HEP33V	Sn-Pb
SY100EP33VZI	Z8-1	Industrial	XEP33V	Sn-Pb
SY100EP33VZITR <sup>(2)</sup>	Z8-1	Industrial	XEP33V	Sn-Pb
SY10EP33VKI	K8-1	Industrial	HP33	Sn-Pb
SY10EP33VKITR <sup>(2)</sup>	K8-1	Industrial	HP33	Sn-Pb
SY100EP33VKI	K8-1	Industrial	XP33	Sn-Pb
SY100EP33VKITR <sup>(2)</sup>	K8-1	Industrial	XP33	Sn-Pb
SY10EP33VZG <sup>(3)</sup>	Z8-1	Industrial	HEP33V with Pb-Free Bar-Line Indicator	NiPdAu/Pb-Free
SY10EP33VZGTR <sup>(2, 3)</sup>	Z8-1	Industrial	HEP33V with Pb-Free Bar-Line Indicator	NiPdAu/Pb-Free
SY100EP33VZG <sup>(3)</sup>	Z8-1	Industrial	XEP33V with Pb-Free Bar-Line Indicator	NiPdAu/Pb-Free
SY100EP33VZGTR <sup>(2, 3)</sup>	Z8-1	Industrial	XEP33V with Pb-Free Bar-Line Indicator	NiPdAu/Pb-Free
SY10EP33VKG <sup>(3)</sup>	K8-1	Industrial	HP33V with Pb-Free Bar-Line Indicator	NiPdAu/Pb-Free
SY10EP33VKGTR <sup>(2, 3)</sup>	K8-1	Industrial	HP33V with Pb-Free Bar-Line Indicator	NiPdAu/Pb-Free
SY100EP33VKG <sup>(3)</sup>	K8-1	Industrial	XP33V with Pb-Free Bar-Line Indicator	NiPdAu/Pb-Free
SY100EP33VKGTR <sup>(2, 3)</sup>	K8-1	Industrial	XP33V with Pb-Free Bar-Line Indicator	NiPdAu/Pb-Free

**Notes:**

1. Contact factory for die availability. Dice are guaranteed at T<sub>A</sub> = 25°C, DC Electricals only.
2. Tape and Reel.
3. Pb-Free package is recommended for new designs.



### Absolute Maximum Ratings<sup>(1)</sup>

Power Supply Voltage  
 $V_{EE} = 0$  ..... +6.0V to 0V  
 $V_{CC} = 0$  ..... -6.0V to 0V

Input Voltage  
 $V_{CC} = 0V$   
( $V_{IN}$  not more negative than  $V_{EE}$ ) ..... -6.0V to 0V  
 $V_{EE} = 0V$   
( $V_{IN}$  not more negative than  $V_{CC}$ ) ..... +6.0V to 0V

Output Current  
Continuous ..... 50mA  
Surge ..... 100mA

### Operating Ratings

Operating Temperature Range ( $T_A$ ) ..... -40°C to +85°C  
Lead Temperature ( $T_{LEAD}$ ) ..... +260°C  
Storage Temperature Range ( $T_{STORE}$ ) ..... -65°C to +150°C  
Thermal Resistance (Junction-to-Ambient)  
SOIC-8 ( $\theta_{JA}$ )  
Still Air ..... 160°C/W  
500lfpm ..... 109°C/W  
MSOP-8 ( $\theta_{JA}$ )  
Still Air ..... 206°C/W  
500lfpm ..... 155°C/W  
Thermal Resistance (Junction-to-Case)  
SOIC-8 ( $\theta_{JC}$ ) ..... 39°C/W  
MSOP-8 ( $\theta_{JC}$ ) ..... 39°C/W

### 10EP LVPECL DC Electrical Characteristics<sup>(2)</sup>

$V_{CC} = +3.3V \pm 10\%$ ;  $V_{EE} = 0V^{(3)}$

Symbol	Parameter	$T_A = -40^\circ C$			$T_A = +25^\circ C$			$T_A = +85^\circ C$			Unit
		Min.	Typ.	Max.	Min.	Typ.	Max.	Min.	Typ.	Max.	
$I_{EE}$	Power Supply Current	-	-	36	-	26	36	-	-	36	mA
$V_{OH}$	Output HIGH Voltage <sup>(4)</sup>	2165	2290	2415	2230	2355	2480	2290	2415	2540	mV
$V_{OL}$	Output LOW Voltage <sup>(4)</sup>	1365	1490	1615	1430	1555	1680	1490	1615	1740	mV
$V_{IH}$	Input HIGH Voltage (Single-Ended)	2090	-	2415	2155	-	2480	2215	-	2540	mV
$V_{IL}$	Input LOW Voltage (Single-Ended)	1365	-	1690	1430	-	1755	1490	-	1815	mV
$V_{BB}$	Output Voltage	1790	1890	1990	1885	1955	2055	1915	2015	2115	mV
$V_{IHCMR}$	Input HIGH Voltage <sup>(5)</sup> Common Mode Range (Differential)	2.0	-	$V_{CC}$	2.0	-	$V_{CC}$	2.0	-	$V_{CC}$	V
$I_{IH}$	Input HIGH Current	-	-	150	-	-	150	-	-	150	$\mu A$
$I_{IL}$	Input LOW Current										
	RESET, CLK /CLK	0.5 -150	- -	- -	0.5 -150	- -	- -	0.5 -150	- -	- -	$\mu A$

**Notes:**

1. Permanent device damage may occur if absolute maximum ratings are exceeded. This is a stress rating only and functional operation is not implied at conditions other than those detailed in the operational sections of this data sheet. Exposure to absolute maximum rating conditions for extended periods may affect device reliability.
2. 10EP circuits are designed to meet the DC specifications shown in 10EP LVPECL DC EC Table after thermal equilibrium has been established. The circuit is in a test socket or mounted on a printed circuit board and traverse greater than 500lfpm is maintained.
3. Input and output parameters vary 1:1 with  $V_{CC}$ .
4. All loading with 50 $\Omega$  to  $V_{CC} - 2.0V$ .
5. The  $V_{IHCMR}$  range is referenced to the most positive side of the differential input signal.

**10EP PECL DC Electrical Characteristics<sup>(1)</sup>** $V_{CC} = +5.0V \pm 10\%$ ;  $V_{EE} = 0V^{(2)}$ 

Symbol	Parameter	$T_A = -40^\circ\text{C}$			$T_A = +25^\circ\text{C}$			$T_A = +85^\circ\text{C}$			Unit
		Min.	Typ.	Max.	Min.	Typ.	Max.	Min.	Typ.	Max.	
$I_{EE}$	Power Supply Current	–	–	36	–	26	36	–	–	36	mA
$V_{OH}$	Output HIGH Voltage <sup>(3)</sup>	3865	3990	4115	3930	4055	4180	3990	4115	4250	mV
$V_{OL}$	Output LOW Voltage <sup>(3)</sup>	3065	3190	3315	3130	3255	3380	3190	3315	3440	mV
$V_{IH}$	Input HIGH Voltage (Single-Ended)	3790	–	4115	3855	–	4180	3915	–	4240	mV
$V_{IL}$	Input LOW Voltage (Single-Ended)	3065	–	3390	3130	–	3455	3190	–	3515	mV
$V_{BB}$	Output Voltage	3490	3590	3690	3555	3655	3755	3615	3715	3815	mV
$V_{IHCMR}$	Input HIGH Voltage <sup>(4)</sup> Common Mode Range (Differential)	2.0	–	$V_{CC}$	2.0	–	$V_{CC}$	2.0	–	$V_{CC}$	V
$I_{IH}$	Input HIGH Current	–	–	150	–	–	150	–	–	150	$\mu\text{A}$
$I_{IL}$	Input LOW Current										
	RESET, CLK /CLK	0.5 –150	– –	– –	0.5 –150	– –	– –	0.5 –150	– –	– –	$\mu\text{A}$

**Notes:**

- 10EP circuits are designed to meet the DC specifications shown in 10EP PECL DC EC Table after thermal equilibrium has been established. The circuit is in a test socket or mounted on a printed circuit board and traverse greater than 500lfpm is maintained.
- Input and output parameters vary 1:1 with  $V_{CC}$ .
- All loading with  $50\Omega$  to  $V_{CC} - 2.0V$ .
- The  $V_{IHCMR}$  range is referenced to the most positive side of the differential input signal.

**10EP ECL/LVECL DC Electrical Characteristics<sup>(1)</sup>** $V_{CC} = 0V$ ;  $V_{EE} = -3.3V$  to  $-5.0V \pm 10\%$ <sup>(2)</sup>

Symbol	Parameter	$T_A = -40^\circ C$			$T_A = +25^\circ C$			$T_A = +85^\circ C$			Unit
		Min.	Typ.	Max.	Min.	Typ.	Max.	Min.	Typ.	Max.	
$I_{EE}$	Power Supply Current	–	–	36	–	26	36	–	–	36	mA
$V_{OH}$	Output HIGH Voltage <sup>(3)</sup>	–1135	–1010	–885	–1070	–945	–820	–1010	–885	–760	mV
$V_{OL}$	Output LOW Voltage <sup>(3)</sup>	–1935	–1810	–1685	–1870	–1745	–1620	–1810	–1685	–1560	mV
$V_{IH}$	Input HIGH Voltage (Single-Ended)	–1210	–	–885	–1145	–	–820	–1085	–	–760	mV
$V_{IL}$	Input LOW Voltage (Single-Ended)	–1935	–	–1610	–1870	–	–1545	–1810	–	–1485	mV
$V_{BB}$	Output Voltage	–1510	–1410	–1310	–1445	–1345	–1245	–1385	–1285	–1185	mV
$V_{IHCMR}$	Input HIGH Voltage <sup>(4)</sup> Common Mode Range (Differential)	$V_{EE} + 2.0$		0.0	$V_{EE} + 2.0$		0.0	$V_{EE} + 2.0$		0.0	V
$I_{IH}$	Input HIGH Current	–	–	150	–	–	150	–	–	150	$\mu A$
$I_{IL}$	Input LOW Current										
	RESET, CLK /CLK	0.5 –150	– –	– –	0.5 –150	– –	– –	0.5 –150	– –	– –	$\mu A$

**Notes:**

- 10EP circuits are designed to meet the DC specifications shown in 10EP PECL DC EC Table after thermal equilibrium has been established. The circuit is in a test socket or mounted on a printed circuit board and traverse greater than 500lfpm is maintained.
- Input and output parameters vary 1:1 with  $V_{CC}$ .
- All loading with 50 $\Omega$  to  $V_{CC} - 2.0V$ .
- The  $V_{IHCMR}$  (minimum) varies 1:1 with  $V_{EE}$ . The  $V_{IHCMR}$  range is referenced to the most positive side of the differential input signal.

**100EP LVPECL DC Electrical Characteristics<sup>(1)</sup>** $V_{CC} = +3.3V \pm 10\%$ ;  $V_{EE} = 0V \pm 10\%$ <sup>(2)</sup>

Symbol	Parameter	$T_A = -40^\circ\text{C}$			$T_A = +25^\circ\text{C}$			$T_A = +85^\circ\text{C}$			Unit
		Min.	Typ.	Max.	Min.	Typ.	Max.	Min.	Typ.	Max.	
$I_{EE}$	Power Supply Current	–	–	36	–	30	36	–	–	40	mA
$V_{OH}$	Output HIGH Voltage <sup>(3)</sup>	2155	2280	2405	2155	2280	2405	2155	2280	2405	mV
$V_{OL}$	Output LOW Voltage <sup>(3)</sup>	1355	1480	1605	1355	1480	1605	1355	1480	1605	mV
$V_{IH}$	Input HIGH Voltage (Single-Ended)	2075	–	2420	2075	–	2420	2075	–	2420	mV
$V_{IL}$	Input LOW Voltage (Single-Ended)	1355	–	1675	1355	–	1675	1355	–	1675	mV
$V_{BB}$	Output Voltage	1775	1875	1975	1775	1875	1975	1775	1875	1975	mV
$V_{IHCMR}$	Input HIGH Voltage <sup>(4)</sup> Common Mode Range (Differential)	2.0	–	$V_{CC}$	2.0	–	$V_{CC}$	2.0	–	$V_{CC}$	V
$I_{IH}$	Input HIGH Current	–	–	150	–	–	150	–	–	150	$\mu\text{A}$
$I_{IL}$	Input LOW Current										
	RESET, CLK /CLK	0.5 –150	– –	– –	0.5 –150	– –	– –	0.5 –150	– –	– –	$\mu\text{A}$

**Notes:**

- 100EP circuits are designed to meet the DC specifications shown in 100EP LVPECL DC EC Table after thermal equilibrium has been established. The circuit is in a test socket or mounted on a printed circuit board and traverse greater than 500lfpm is maintained.
- Input and output parameters vary 1:1 with  $V_{CC}$ .
- All loading with 50 $\Omega$  to  $V_{CC} - 2.0V$ .
- The  $V_{IHCMR}$  (minimum) varies 1:1 with  $V_{EE}$ . The  $V_{IHCMR}$  range is referenced to the most positive side of the differential input signal.

**100EP PECL DC Electrical Characteristics<sup>(1)</sup>** $V_{CC} = +5.0V \pm 10\%$ ;  $V_{EE} = 0V^{(2)}$ 

Symbol	Parameter	$T_A = -40^\circ\text{C}$			$T_A = +25^\circ\text{C}$			$T_A = +85^\circ\text{C}$			Unit
		Min.	Typ.	Max.	Min.	Typ.	Max.	Min.	Typ.	Max.	
$I_{EE}$	Power Supply Current	–	–	36	–	30	36	–	–	40	mA
$V_{OH}$	Output HIGH Voltage <sup>(3)</sup>	3855	3980	4105	3855	3980	4105	3855	3980	4105	mV
$V_{OL}$	Output LOW Voltage <sup>(3)</sup>	3055	3180	3305	3055	3180	3305	3055	3180	3305	mV
$V_{IH}$	Input HIGH Voltage (Single-Ended)	3775	–	4120	3775	–	4120	3775	–	4120	mV
$V_{IL}$	Input LOW Voltage (Single-Ended)	3055	–	3375	3055	–	3375	3055	–	3375	mV
$V_{BB}$	Output Voltage	3475	3575	3675	3475	3575	3675	3475	3575	3675	mV
$V_{IHCMR}$	Input HIGH Voltage <sup>(4)</sup> Common Mode Range (Differential)	2.0	–	$V_{CC}$	2.0	–	$V_{CC}$	2.0	–	$V_{CC}$	V
$I_{IH}$	Input HIGH Current	–	–	150	–	–	150	–	–	150	$\mu\text{A}$
$I_{IL}$	Input LOW Current										
	RESET, CLK /CLK	0.5 –150	– –	– –	0.5 –150	– –	– –	0.5 –150	– –	– –	$\mu\text{A}$

**Notes:**

- 100EP circuits are designed to meet the DC specifications shown in the above table after thermal equilibrium has been established. The circuit is in a test socket or mounted on a printed circuit board and traverse greater than 500lfpm is maintained.
- Input and output parameters vary 1:1 with  $V_{CC}$ .
- All loading with  $50\Omega$  to  $V_{CC} - 2.0V$ .
- The  $V_{IHCMR}$  range is referenced to the most positive side of the differential input signal.



## 100EP ECL/LVECL DC Electrical Characteristics<sup>(1)</sup>

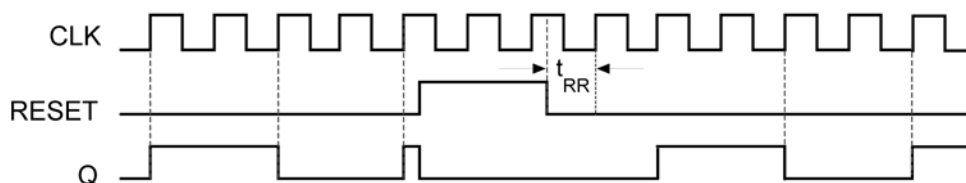
$V_{CC} = 0V$ ;  $V_{EE} = -3.3V$  to  $-5.0V \pm 10\%$ <sup>(2)</sup>

Symbol	Parameter	$T_A = -40^\circ C$			$T_A = +25^\circ C$			$T_A = +85^\circ C$			Unit
		Min.	Typ.	Max.	Min.	Typ.	Max.	Min.	Typ.	Max.	
$I_{EE}$	Power Supply Current	–	–	36	–	30	36	–	–	40	mA
$V_{OH}$	Output HIGH Voltage <sup>(4)</sup>	-1145	-1020	-895	-1145	-1020	-895	-1145	-1020	-895	mV
$V_{OL}$	Output LOW Voltage <sup>(4)</sup>	-1945	-1820	-1695	-1945	-1820	-1695	-1945	-1820	-1695	mV
$V_{IH}$	Input HIGH Voltage (Single-Ended)	-1225	–	-880	-1225	–	-880	-1225	–	-880	mV
$V_{IL}$	Input LOW Voltage (Single-Ended)	-1945	–	-1625	-1945	–	-1625	-1945	–	-1625	mV
$V_{BB}$	Output Voltage	-1525	-1425	-1325	-1525	-1425	-1325	-1525	-1425	-1325	mV
$V_{IHCMR}$	Input HIGH Voltage <sup>(5)</sup> Common Mode Range (Differential)	$V_{EE} + 2.0$		0.0	$V_{EE} + 2.0$		0.0	$V_{EE} + 2.0$		0.0	V
$I_{IH}$	Input HIGH Current	–	–	150	–	–	150	–	–	150	$\mu A$
$I_{IL}$	Input LOW Current										
	RESET, CLK /CLK	0.5 -150	– –	– –	0.5 -150	– –	– –	0.5 -150	– –	– –	$\mu A$

**Notes:**

- 100EP circuits are designed to meet the DC specifications shown in 100EP PECL DC EC Table after thermal equilibrium has been established. The circuit is in a test socket or mounted on a printed circuit board and traverse greater than 500lfpm is maintained.
- Input and output parameters vary 1:1 with  $V_{CC}$ .
- All loading with 50 $\Omega$  to  $V_{CC} - 2.0V$ .
- The  $V_{IHCMR}$  (minimum) varies 1:1 with  $V_{EE}$ . The  $V_{IHCMR}$  range is referenced to the most positive side of the differential input signal.

## Timing Diagram



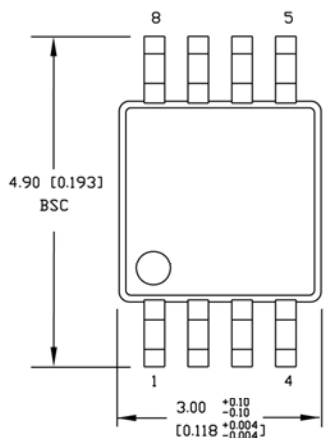
**AC Electrical Characteristics**<sup>(1,2)</sup>NECL:  $V_{CC} = 0V$ ;  $V_{EE} = -3.3V$  to  $-5.0V \pm 10\%$ ; PECL:  $V_{EE} = 0V$ ,  $V_{CC} = +3.3V$  to  $+5.0 \pm 10\%$ .

Symbol	Parameter	$T_A = -40^\circ C$			$T_A = +25^\circ C$			$T_A = +85^\circ C$			Unit
		Min.	Typ.	Max.	Min.	Typ.	Max.	Min.	Typ.	Max.	
$f_{MAX}$	Maximum Frequency <sup>(3)</sup>	4	–	–	4	–	–	4	–	–	GHz
$t_{PLH}$ $t_{PHL}$	Propagation Delay to Output										ps
	CLK → Q	300	380	440	300	380	440	320	400	460	
	(SY10EP33V) RESET → Q	300	420	470	290	420	470	320	450	500	
	(SY100EP33V) RESET → Q	310	420	470	310	420	470	320	450	500	
$t_{RR}$	Set/Reset Recovery <sup>(3)</sup>	200	–	–	200	100	–	200	–	–	ps
$t_{PW}$	Minimum Pulse Width RESET	550	–	–	550	200	–	550	–	–	ps
$t_{JITTER}$	Cycle-to-Cycle RMS Jitter <sup>(4)</sup>	–	0.2	< 1	–	0.2	< 1	–	0.2	< 1	Ps(rms)
$V_{PP}$	Input voltage Swing (Differential)	150	800	1200	150	800	1200	150	800	1200	mV
$t_r$ $t_f$	Output Rise/Fall Times Q <sub>r</sub> /Q <sub>f</sub> (20% to 80%)	90	170	200	100	180	220	120	200	240	ps

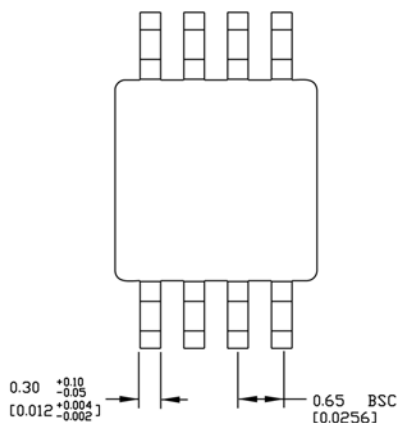
**Notes:**

1. Measured using a 750mV source, 50% duty cycle clock source. All loading with  $50\Omega$  to  $V_{CC} - 2.0V$ .
2. Specifications for packaged product only.
3. Setup time of reset going low before the rising edge of incoming clock.
4.  $f_{MAX}$  guaranteed for functionality only.  $V_{OL}$  and  $V_{OH}$  levels are guaranteed at DC only.

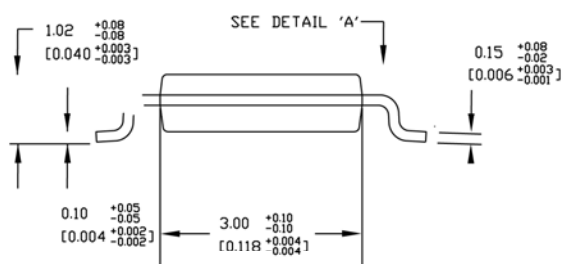
## Package Information



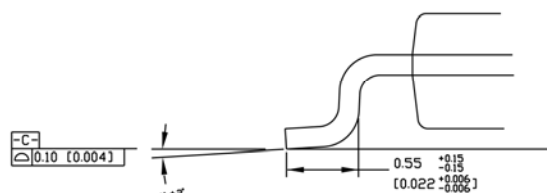
TOP VIEW



BOTTOM VIEW



SIDE VIEW

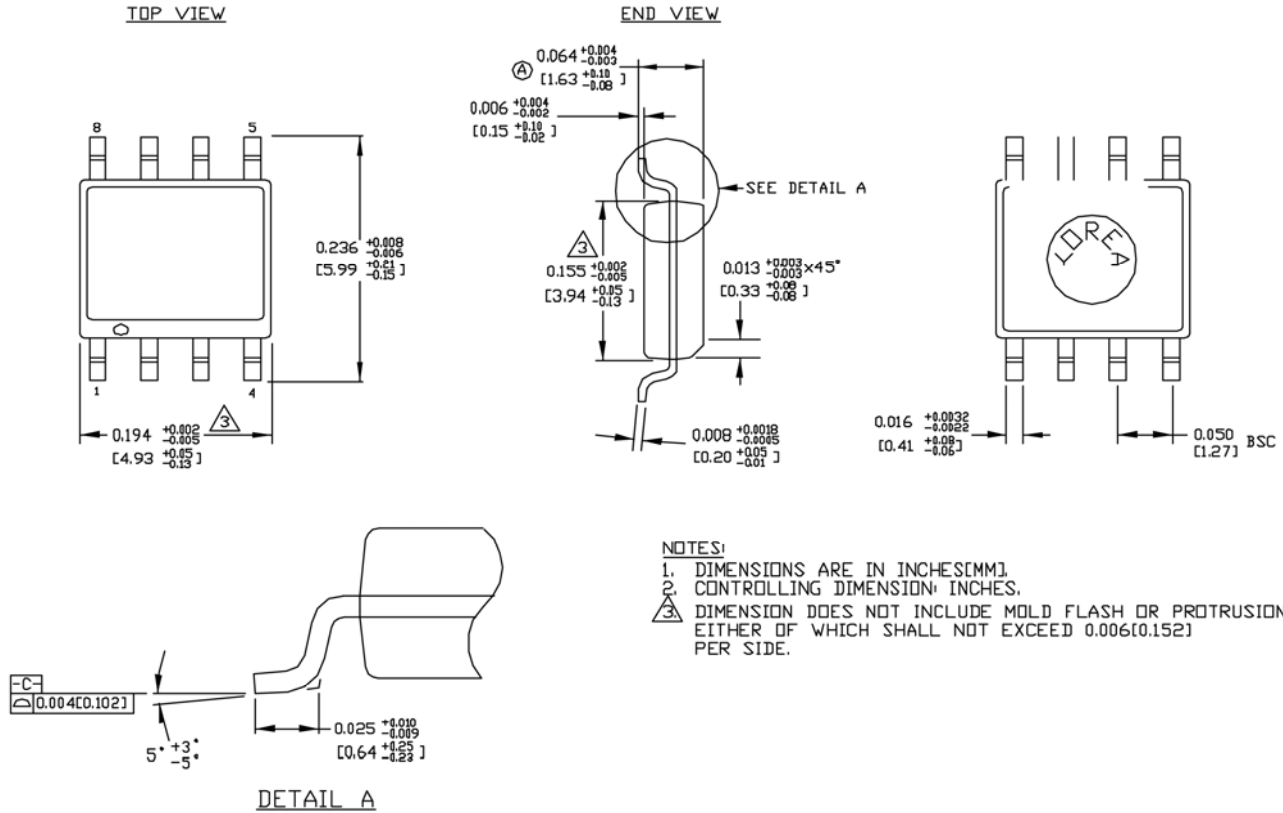


DETAIL A

**NOTES:**

1. DIMENSIONS ARE IN MM [INCHES].
2. CONTROLLING DIMENSION: MM
3. DIMENSION DOES NOT INCLUDE MOLD FLASH OR PROTRUSIONS, EITHER OF WHICH SHALL NOT EXCEED 0.20 [0.008] PER SIDE.

**8-pin MSOP (K8-1)**



8-pin SOIC .150" WIDE (Z8-1)

**MICREL, INC. 2180 FORTUNE DRIVE SAN JOSE, CA 95131 USA**  
 TEL +1 (408) 944-0800 FAX +1 (408) 474-1000 WEB <http://www.micrel.com>

Micrel makes no representations or warranties with respect to the accuracy or completeness of the information furnished in this data sheet. This information is not intended as a warranty and Micrel does not assume responsibility for its use. Micrel reserves the right to change circuitry, specifications and descriptions at any time without notice. No license, whether express, implied, arising by estoppel or otherwise, to any intellectual property rights is granted by this document. Except as provided in Micrel's terms and conditions of sale for such products, Micrel assumes no liability whatsoever, and Micrel disclaims any express or implied warranty relating to the sale and/or use of Micrel products including liability or warranties relating to fitness for a particular purpose, merchantability, or infringement of any patent, copyright or other intellectual property right.

Micrel Products are not designed or authorized for use as components in life support appliances, devices or systems where malfunction of a product can reasonably be expected to result in personal injury. Life support devices or systems are devices or systems that (a) are intended for surgical implant into the body or (b) support or sustain life, and whose failure to perform can be reasonably expected to result in a significant injury to the user. A Purchaser's use or sale of Micrel Products for use in life support appliances, devices or systems is a Purchaser's own risk and Purchaser agrees to fully indemnify Micrel for any damages resulting from such use or sale.

© 2003 Micrel, Incorporated.