



Chipsmall Limited consists of a professional team with an average of over 10 year of expertise in the distribution of electronic components. Based in Hongkong, we have already established firm and mutual-benefit business relationships with customers from,Europe,America and south Asia,supplying obsolete and hard-to-find components to meet their specific needs.

With the principle of “Quality Parts,Customers Priority,Honest Operation,and Considerate Service”,our business mainly focus on the distribution of electronic components. Line cards we deal with include Microchip,ALPS,ROHM,Xilinx,Pulse,ON,Everlight and Freescale. Main products comprise IC,Modules,Potentiometer,IC Socket,Relay,Connector.Our parts cover such applications as commercial,industrial, and automotives areas.

We are looking forward to setting up business relationship with you and hope to provide you with the best service and solution. Let us make a better world for our industry!



Contact us

Tel: +86-755-8981 8866 Fax: +86-755-8427 6832

Email & Skype: info@chipsmall.com Web: www.chipsmall.com

Address: A1208, Overseas Decoration Building, #122 Zhenhua RD., Futian, Shenzhen, China



FEATURES

- Guaranteed over the industrial temperature range: -40°C to $+85^{\circ}\text{C}$
- Pin-for-pin; plug-in replacement to MC100EPT21D/DT
- 3.3V power supply
- 1.9ns typical propagation delay
- 275MHz f_{MAX} (Clock)
- Differential LVPECL inputs
- 24mA LVTTL output
- Flow-through pinout
- Q output will default LOW with inputs open
- V_{BB} output
- Available in 8-pin MSOP and SOIC packages

APPLICATIONS

- ASIC/FPGA interface
- Legacy interface
- Precision differential-to-general purpose, single-ended translation



ECL Pro™

DESCRIPTION

The SY100EPT21L is a single, differential LVPECL-to-LVTTL translator using a single +3.3V power supply. Because low voltage positive ECL (LVPECL) levels are used, only +3.3V and ground are required. The small outline 8-pin SOIC package and low-skew, single-gate design make the EPT21L ideal for applications that require the translation of a clock or data signal where minimal space, low power, and low cost are critical.

V_{BB} allows a differential, single-ended, or AC-coupled interface to the device. If used, the V_{BB} output should be bypassed to V_{CC} with 0.01 μF capacitor.

Under open input conditions, the /D will be biased at a $V_{\text{CC}}/2$ voltage level and the D input will be pulled to ground. This condition will force the Q output low to provide added stability.

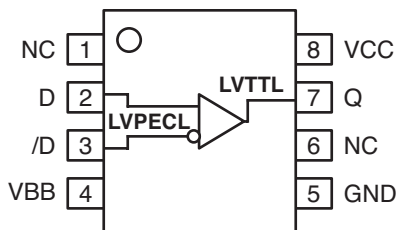
The 100EPT is compatible with positive ECL 100K logic levels. For applications that require the smallest footprint, consider the SY89321L in an ultra-small (2mm \times 2mm) 8-pin MLF™ package.

All support documentation can be found on Micrel's web site at: www.micrel.com.

CROSS REFERENCE TABLE

Micrel	ON Semiconductor
SY100EPT21LZI	MC100EPT21D
SY100EPT21LZITR	MC100EPT21DR2
SY100EPT21LKI	MC100EPT21DT
SY100EPT21LKITR	MC100EPT21DTR2

PACKAGE/ORDERING INFORMATION



**8-Pin SOIC (Z8-1)
8-Pin MSOP (K8-1)**

Ordering Information⁽¹⁾

Part Number	Package Type	Operating Range	Package Marking	Lead Finish
SY100EPT21LZC	Z8-1	Commercial	XEP21L	Sn-Pb
SY100EPT21LZCTR ⁽²⁾	Z8-1	Commercial	XEP21L	Sn-Pb
SY100EPT21LKC	K8-1	Commercial	XP21	Sn-Pb
SY100EPT21LKCTR ⁽²⁾	K8-1	Commercial	XP21	Sn-Pb
SY100EPT21LZI	Z8-1	Industrial	XEP21L	Sn-Pb
SY100EPT21LZITR ⁽²⁾	Z8-1	Industrial	XEP21L	Sn-Pb
SY100EPT21LKI	K8-1	Industrial	XP21	Sn-Pb
SY100EPT21LKITR ⁽²⁾	K8-1	Industrial	XP21	Sn-Pb
SY100EPT21LZG ⁽³⁾	Z8-1	Industrial	XEP21L with Pb-Free bar-line indicator	Pb-Free NiPdAu
SY100EPT21LZGTR ^(2, 3)	Z8-1	Industrial	XEP21L with Pb-Free bar-line indicator	Pb-Free NiPdAu
SY100EPT21LKG ⁽³⁾	K8-1	Industrial	XP21 with Pb-Free bar-line indicator	Pb-Free NiPdAu
SY100EPT21LKGTR ^(2, 3)	K8-1	Industrial	XP21 with Pb-Free bar-line indicator	Pb-Free NiPdAu

Notes:

1. Contact factory for die availability. Dice are guaranteed at T_A = 25°C, DC Electricals only.
2. Tape and Reel.
3. Pb-Free package is recommended for new designs.

PIN DESCRIPTION

Pin Number	Pin Name	Pin Function
1	NC	No Connect.
2, 3	D, /D	Differential LVPECL Input Pair.
4	VBB	Output Reference Voltage.
5	GND	Ground.
6	NC	No Connect.
7	Q	LVTTL Output.
8	VCC	Positive Supply.

TRUTH TABLE

D	/D	Q
L	H	L
H	L	H
Open	Open	L

Absolute Maximum Ratings⁽¹⁾

Power Supply Voltage (V_{CC}) -0.5 to +3.8V
 PECL Input Voltage (V_{IN}) 0V to $V_{CC} + 0.5V$
 Voltage Applied to Output at HIGH State (V_{OUT}) -0.5 to V_{CC}
 Current Applied to Output at LOW State (I_{OUT})
 Twice the Rated I_{OL} (mA)
 Lead Temperature (soldering, 20 sec.) +260°C
 Storage Temperature (T_S) -65°C to +150°C

Operating Ratings⁽²⁾

Power Supply Voltage (V_{CC}) -0.5 to +3.8V
 Ambient Temperature (T_A) -40°C to +85°C
 Package Thermal Resistance
 SOIC (θ_{JA}) multi-layer board 113°C/W
 MSOP (θ_{JA}) multi-layer board 124°C/W

LVTTTL OUTPUT DC ELECTRICAL CHARACTERISTICS

$V_{CC} = +3.3V$, $GND = 0V$; $T_A = -40^\circ C$ to $+85^\circ C$; unless noted.

Symbol	Parameter	Condition	Min	Typ	Max	Units
I_{OS}	Output Short Circuit Current	$V_{OUT} = 0V$	-80		-275	mA
I_{CC}	Power Supply Current			14	20	mA
V_{OH}	Output HIGH Voltage	$I_{OH} = -3.0mA^{(3)}$	2.3			V
V_{OL}	Output LOW Voltage	$I_{OL} = 24mA$			0.5	V

LVPECL INPUT DC ELECTRICAL CHARACTERISTICS

$V_{CC} = +3.3V$, $GND = 0V$; $T_A = -40^\circ C$ to $+85^\circ C$; unless noted.

Symbol	Parameter	Condition	Min	Typ	Max	Units
I_{IH}	Input HIGH Current				150	μA
I_{IL}	Input LOW Current	D	0.5			μA
		/D	-300			μA
V_{IH}	Input HIGH Voltage	Note 3	2135		2420	V
V_{IL}	Input LOW Voltage	Note 3	1490		1825	V
V_{BB}	Reference Output	Note 3	1920	1980	2040	V

Notes:

1. Permanent device damage may occur if ratings in the absolute maximum ratings section are exceeded. This is a stress rating only and functional operation is not implied for conditions other than those detailed in the operational sections of this data sheet. Exposure to absolute maximum ratings conditions for extended periods may affect device reliability.
2. The data sheet limits are not guaranteed if the device is operated beyond the operating ratings.
3. These values are for $V_{CC} = 3.3V$. Level Specifications will vary 1:1 V_{CC} .

AC ELECTRICAL CHARACTERISTICS

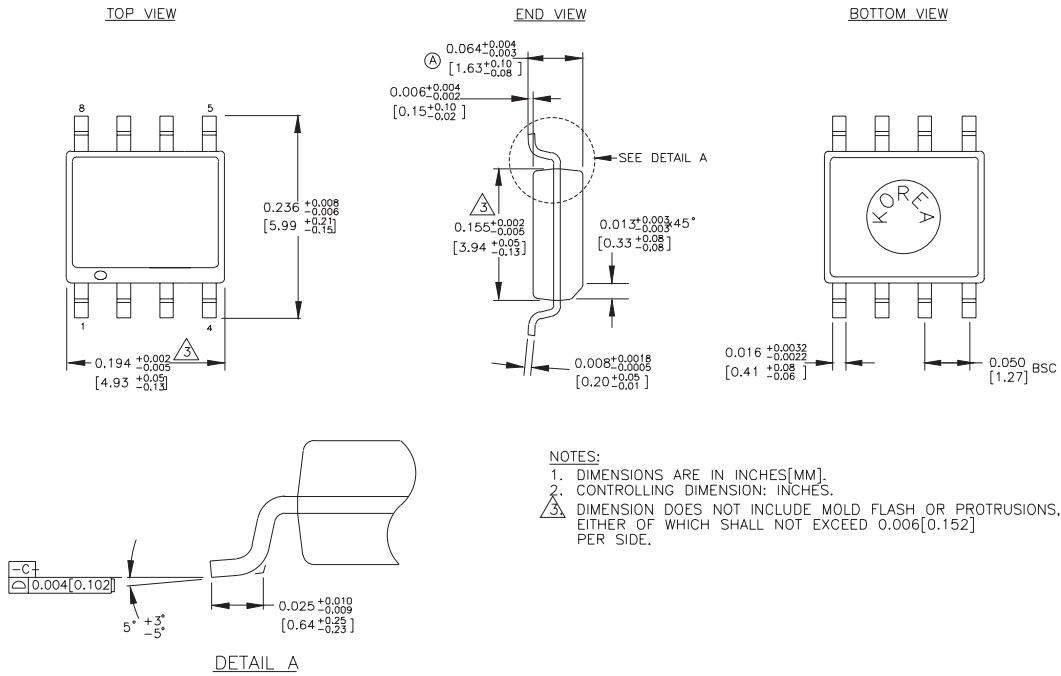
$V_{CC} = +3.0V$ to $+3.6V$, $GND = 0V$; $T_A = -40^{\circ}C$ to $+85^{\circ}C$; unless noted.

Symbol	Parameter	Condition	Min	Typ	Max	Units
t_{PD}	Propagation Delay	$C_L = 20pF$	1.5	1.9	2.5	ns
t_{skpp}	Part-to-Part Skew	$C_L = 20pF^{(4, 5)}$			0.5	ns
f_{MAX}	Maximum Input Frequency	$C_L = 20pF^{(6)}$	275			MHz
V_{CMR}	Common Mode Range		1.2		V_{CC}	V
V_{PP}	Minimum Peak-to-Peak Input	Note 7	100			mV
t_r, t_f	Output Rise/Fall Time (1.0V to 2.0V)	$C_L = 20pF$	0.5		1.0	ns

Notes:

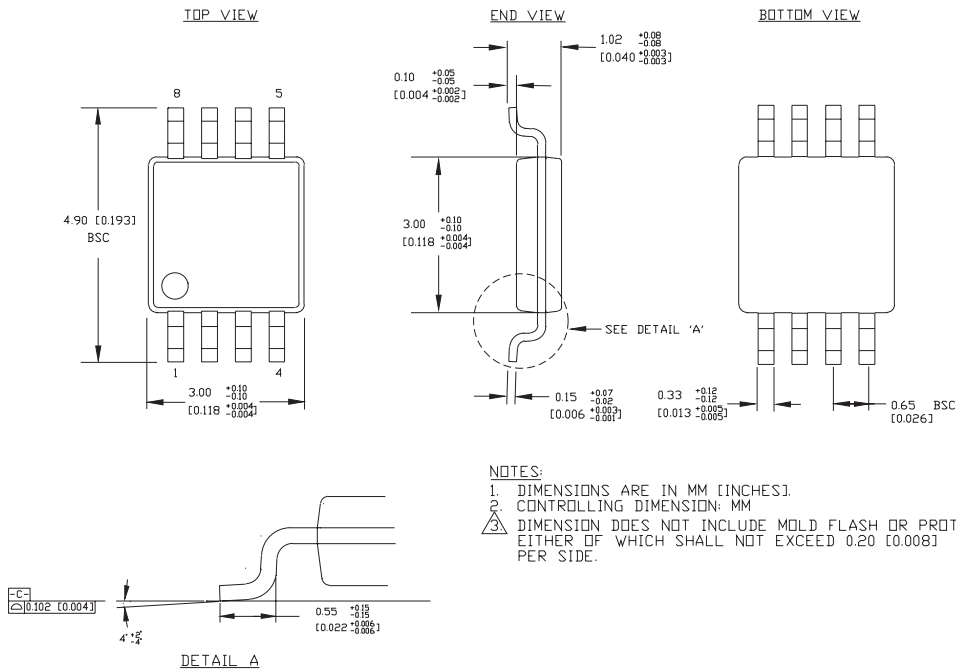
4. Part-to-part skew considering HIGH-to-HIGH transitions at common V_{CC} level.
5. These parameters are guaranteed but not tested.
6. The f_{MAX} value is specified as the minimum guaranteed maximum frequency. Actual operational maximum frequency may be greater.
7. 100mV input guarantees full logic at output.

8-PIN PLASTIC SOIC (Z8-1)



Rev. 03

8-PIN MSOP (K8-1)



Rev. 01

MICREL, INC. 2180 FORTUNE DRIVE SAN JOSE, CA 95131 USA

TEL + 1 (408) 944-0800 FAX + 1 (408) 474-1000 WEB <http://www.micrel.com>

The information furnished by Micrel in this data sheet is believed to be accurate and reliable. However, no responsibility is assumed by Micrel for its use. Micrel reserves the right to change circuitry and specifications at any time without notification to the customer.

Micrel Products are not designed or authorized for use as components in life support appliances, devices or systems where malfunction of a product can reasonably be expected to result in personal injury. Life support devices or systems are devices or systems that (a) are intended for surgical implant into the body or (b) support or sustain life, and whose failure to perform can be reasonably expected to result in a significant injury to the user. A Purchaser's use or sale of Micrel Products for use in life support appliances, devices or systems is at Purchaser's own risk and Purchaser agrees to fully indemnify Micrel for any damages resulting from such use or sale.

© 2005 Micrel, Incorporated.