



Chipsmall Limited consists of a professional team with an average of over 10 year of expertise in the distribution of electronic components. Based in Hongkong, we have already established firm and mutual-benefit business relationships with customers from,Europe,America and south Asia,supplying obsolete and hard-to-find components to meet their specific needs.

With the principle of “Quality Parts,Customers Priority,Honest Operation,and Considerate Service”,our business mainly focus on the distribution of electronic components. Line cards we deal with include Microchip,ALPS,ROHM,Xilinx,Pulse,ON,Everlight and Freescale. Main products comprise IC,Modules,Potentiometer,IC Socket,Relay,Connector.Our parts cover such applications as commercial,industrial, and automotives areas.

We are looking forward to setting up business relationship with you and hope to provide you with the best service and solution. Let us make a better world for our industry!



Contact us

Tel: +86-755-8981 8866 Fax: +86-755-8427 6832

Email & Skype: info@chipsmall.com Web: www.chipsmall.com

Address: A1208, Overseas Decoration Building, #122 Zhenhua RD., Futian, Shenzhen, China



FEATURES

- 1.8GHz min. count frequency
- Extended 100E VEE range of -4.2V to -5.5V
- Synchronous and asynchronous enable pins
- Differential clock input and data output pins
- VBB output for single-ended use
- Asynchronous Master Reset
- Internal 75KΩ input pull-down resistors
- Available in 28-pin PLCC package

PIN NAMES

Pin	Function
CLK, $\overline{\text{CLK}}$	Differential Clock Inputs
Q0-Q7, $\overline{\text{Q0}}-\overline{\text{Q7}}$	Differential Q Outputs
A_Start	Asynchronous Enable Input
EN1, EN2	Synchronous Enable Inputs
MR	Asynchronous Master Reset
VBB	Switching Reference Output
VCCO	Vcc to Output

DESCRIPTION

The SY10/100E137 are very high speed binary ripple counters. The two least significant bits were designed with very fast edge rates, while the more significant bits maintain standard ECLinPS output edge rates. This allows the counters to operate at very high frequencies, while maintaining a moderate power dissipation level.

The devices are ideally suited for multiple frequency clock generation, as well as for counters in high-performance ATE time measurement boards.

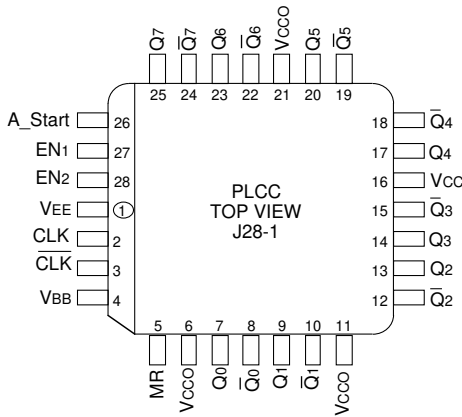
Both asynchronous and synchronous enables are available to maximize the device's flexibility for various applications. The asynchronous enable input, A_Start, when asserted, enables the counter while overriding any synchronous enable signals. The E137 features XOR'ed enable inputs, EN1 and EN2, which are synchronous to the CLK input. When only one synchronous enable is asserted, the counter becomes disabled on the next CLK transition. All outputs remain in the previous state poised for the other synchronous enable or A_Start to be asserted in order to re-enable the counter. Asserting both synchronous enables causes the counter to become enabled on the next transition of the CLK. EN1 (or EN2) and CLK edges are coincident. Sufficient delay has been inserted in the CLK path (to compensate for the XOR gate delay and the internal D-flip-flop set-up time) to ensure that the synchronous enable signal is clocked correctly; hence, the counter is disabled.

The E137 can also be driven single-endedly utilizing the VBB output supply as the voltage reference for the CLK input signal. If a single-ended signal is to be used, the VBB pin should be connected to the $\overline{\text{CLK}}$ input and bypassed to ground via a 0.01μF capacitor. VBB can only source/sink 0.5mA; therefore, it should be used as a switching reference for the E137 only.

All input pins left open will be pulled LOW via an input pull-down resistor. Therefore, do not leave the differential CLK inputs open. Doing so causes the current source transistor of the input clock gate to become saturated, thus upsetting the internal bias regulators and jeopardizing the stability of the device.

The asynchronous Master Reset resets the counter to an all zero state upon assertion.

PACKAGE/ORDERING INFORMATION



28-Pin PLCC (J28-1)

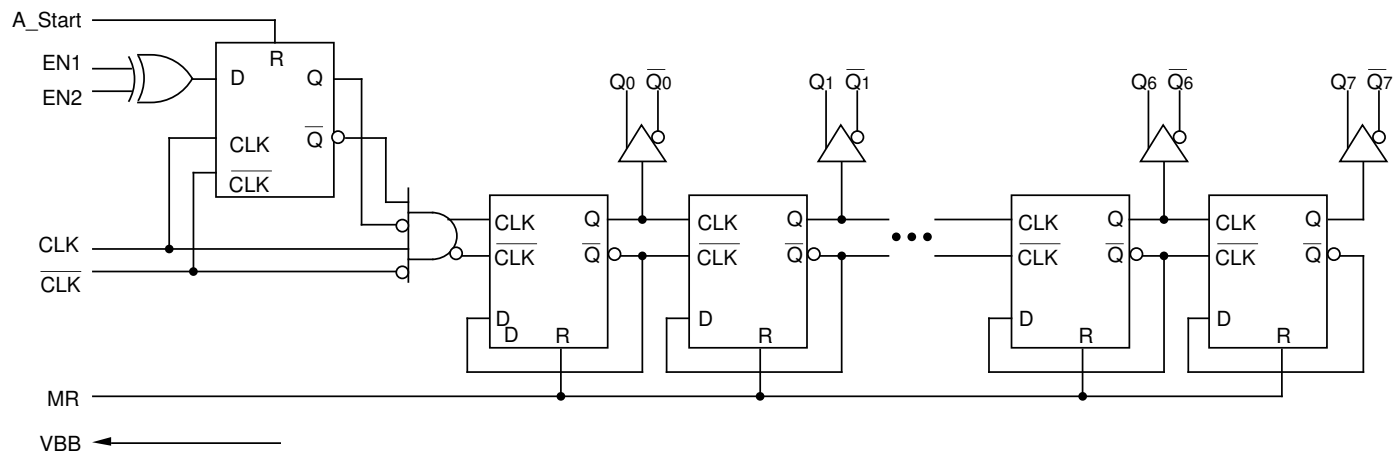
Ordering Information⁽¹⁾

Part Number	Package Type	Operating Range	Package Marking	Lead Finish
SY10E137JC	J28-1	Commercial	SY10E137JC	Sn-Pb
SY10E137JCTR ⁽²⁾	J28-1	Commercial	SY10E137JC	Sn-Pb
SY100E137JC	J28-1	Commercial	SY100E137JC	Sn-Pb
SY100E137JCTR ⁽²⁾	J28-1	Commercial	SY100E137JC	Sn-Pb
SY10E137JZ ⁽³⁾	J28-1	Commercial	SY10E137JZ with Pb-Free bar-line indicator	Matte-Sn
SY10E137JZTR ^(2, 3)	J28-1	Commercial	SY10E137JZ with Pb-Free bar-line indicator	Matte-Sn
SY100E137JZ ⁽³⁾	J28-1	Commercial	SY100E137JZ with Pb-Free bar-line indicator	Matte-Sn
SY100E137JZTR ^(2, 3)	J28-1	Commercial	SY100E137JZ with Pb-Free bar-line indicator	Matte-Sn

Notes:

1. Contact factory for die availability. Dice are guaranteed at T_A = 25°C, DC Electricals only.
2. Tape and Reel.
3. Pb-Free package is recommended for new designs.

BLOCK DIAGRAM



SEQUENTIAL TRUTH TABLE(1)

Function	EN1	EN2	A_Start	MR	CLK	Q7	Q6	Q5	Q4	Q3	Q2	Q1	Q0
Reset	X	X	X	H	X	L	L	L	L	L	L	L	L
Count	L	L	L	L	Z	L	L	L	L	L	L	L	H
	L	L	L	L	Z	L	L	L	L	L	L	H	L
	L	L	L	L	Z	L	L	L	L	L	L	H	H
Stop	H	L	L	L	Z	L	L	L	L	L	L	H	H
	H	L	L	L	Z	L	L	L	L	L	L	H	H
Async. Start	H	L	H	L	Z	L	L	L	L	L	H	L	L
	H	L	H	L	Z	L	L	L	L	L	H	L	H
	L	L	H	L	Z	L	L	L	L	L	H	H	L
Count	L	L	L	L	Z	L	L	L	L	L	H	H	H
	L	L	L	L	Z	L	L	L	L	H	L	L	L
	L	L	L	L	Z	L	L	L	L	H	L	L	H
Stop	L	H	L	L	Z	L	L	L	L	H	L	L	H
	L	H	L	L	Z	L	L	L	L	H	L	L	H
Sync. Start	H	H	L	L	Z	L	L	L	L	H	L	H	L
	H	H	L	L	Z	L	L	L	L	H	L	H	H
	H	H	L	L	Z	L	L	L	L	H	H	L	L
Stop	H	L	L	L	Z	L	L	L	L	H	H	L	L
	H	L	L	L	Z	L	L	L	L	H	H	L	L
	L	L	L	L	Z	L	L	L	L	H	H	H	H
Count	L	L	L	L	Z	L	L	L	L	H	H	L	H
	L	L	L	L	Z	L	L	L	L	H	H	H	L
	L	L	L	L	Z	L	L	L	L	H	H	H	H
Reset	X	X	X	H	X	L	L	L	L	L	L	L	L

Note:
1. Z = LOW-to-HIGH transition

DC ELECTRICAL CHARACTERISTICSV_{EE} = V_{EE} (Min.) to V_{EE} (Max.); V_{CC} = V_{CCO} = GND

Symbol	Parameter	T _A = 0°C			T _A = +25°C			T _A = +85°C			Unit	Condition	
		Min.	Typ.	Max.	Min.	Typ.	Max.	Min.	Typ.	Max.			
V _{BB}	Output Reference Voltage	10E	-1.38	—	-1.27	-1.35	—	-1.25	-1.31	—	-1.19	V	—
		100E	-1.38	—	-1.26	-1.38	—	-1.26	-1.38	—	-1.26		
I _{IH}	Input HIGH Current	—	—	150	—	—	150	—	—	150	μA	—	
I _{EE}	Power Supply Current	10E	—	121	145	—	121	145	—	121	145	mA	—
		100E	—	121	145	—	121	145	—	139	167		

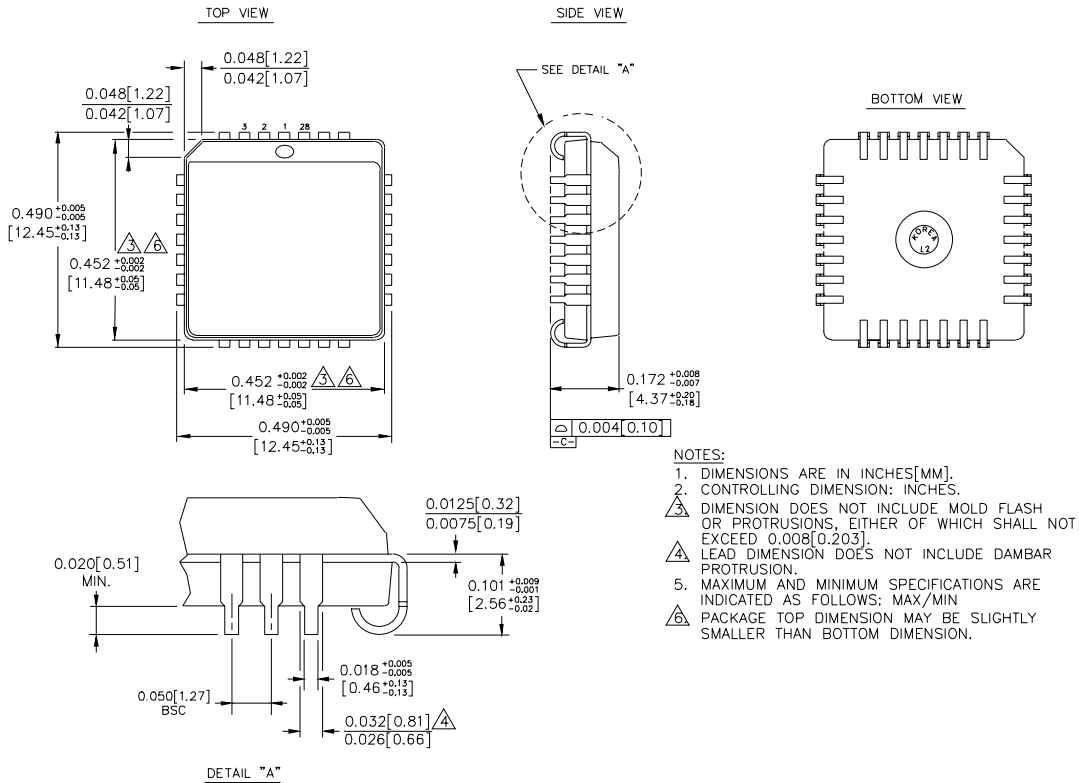
AC ELECTRICAL CHARACTERISTICSV_{EE} = V_{EE} (Min.) to V_{EE} (Max.); V_{CC} = V_{CCO} = GND

Symbol	Parameter	T _A = 0°C			T _A = +25°C			T _A = +85°C			Unit	Condition
		Min.	Typ.	Max.	Min.	Typ.	Max.	Min.	Typ.	Max.		
f _{COUNT}	Max. Count Frequency	1800	2200	—	1800	2200	—	1800	2200	—	MHz	—
t _{PD}	Propagation Delay to Output										ps	—
	CLK to Q ₀	1300	1700	2150	1300	1700	2150	1350	1750	2200		
	CLK to Q ₁	1600	2025	2500	1600	2050	2500	1650	2100	2550		
	CLK to Q ₂	1950	2425	2925	1950	2450	2925	2025	2500	3000		
	CLK to Q ₃	2275	2750	3350	2275	2775	3350	2350	2850	3425		
	CLK to Q ₄	2625	3125	3750	2625	3150	3750	2700	3225	3625		
	CLK to Q ₅	2950	3450	4150	2950	3475	4150	3050	3550	4250		
	CLK to Q ₆	3250	3775	4450	3250	3800	4450	3375	3925	4600		
	CLK to Q ₇	3575	4075	4800	3575	4125	4800	3700	4250	4950		
	A_Start to Q ₀	950	1325	1700	950	1325	1700	950	1325	1700		
MR to Q ₀	700	1000	1300	700	1000	1300	700	1000	1300			
t _s	Set-up Time (EN ₁ , EN ₂)	0	-150	—	0	-150	—	0	-150	—	ps	—
t _H	Hold Time (EN ₁ , EN ₂)	300	150	—	300	150	—	300	150	—	ps	—
t _{RR}	Reset Recovery Time MR, A_Start	400	200	—	400	200	—	400	200	—	ps	—
t _{PW}	Minimum Pulse Width CLK, MR, A_Start	400	—	—	400	—	—	400	—	—	ps	—
V _{PP}	Minimum Input Swing (CLK)	0.25	—	1.0	0.25	—	1.0	0.25	—	1.0	V	1
V _{CMR}	Com. Mode Range (CLK)	-0.4	—	-2.0	-0.4	—	-2.0	-0.4	—	-2.0	V	—
t _r t _f	Rise/Fall Time, 20% to 80%										ps	—
	Q ₀ , Q ₁	150	—	400	150	—	400	150	—	400		
	Q ₂ -Q ₇	275	—	600	275	—	600	275	—	600		

Note:

1. Minimum input swing for which AC parameters are guaranteed. Full DC ECL output swings will be generated with only 50mV input swings.

28-PIN PLCC (J28-1)



Rev. 03

MICREL, INC. 2180 FORTUNE DRIVE SAN JOSE, CA 95131 USA

TEL + 1 (408) 944-0800 FAX + 1 (408) 474-1000 WEB <http://www.micrel.com>

The information furnished by Micrel in this data sheet is believed to be accurate and reliable. However, no responsibility is assumed by Micrel for its use. Micrel reserves the right to change circuitry and specifications at any time without notification to the customer.

Micrel Products are not designed or authorized for use as components in life support appliances, devices or systems where malfunction of a product can reasonably be expected to result in personal injury. Life support devices or systems are devices or systems that (a) are intended for surgical implant into the body or (b) support or sustain life, and whose failure to perform can be reasonably expected to result in a significant injury to the user. A Purchaser's use or sale of Micrel Products for use in life support appliances, devices or systems is at Purchaser's own risk and Purchaser agrees to fully indemnify Micrel for any damages resulting from such use or sale.

© 2006 Micrel, Incorporated.