



Chipsmall Limited consists of a professional team with an average of over 10 year of expertise in the distribution of electronic components. Based in Hongkong, we have already established firm and mutual-benefit business relationships with customers from,Europe,America and south Asia,supplying obsolete and hard-to-find components to meet their specific needs.

With the principle of "Quality Parts,Customers Priority,Honest Operation,and Considerate Service",our business mainly focus on the distribution of electronic components. Line cards we deal with include Microchip,ALPS,ROHM,Xilinx,Pulse,ON,Everlight and Freescale. Main products comprise IC,Modules,Potentiometer,IC Socket,Relay,Connector.Our parts cover such applications as commercial,industrial, and automotives areas.

We are looking forward to setting up business relationship with you and hope to provide you with the best service and solution. Let us make a better world for our industry!



## Contact us

Tel: +86-755-8981 8866 Fax: +86-755-8427 6832

Email & Skype: info@chipsmall.com Web: www.chipsmall.com

Address: A1208, Overseas Decoration Building, #122 Zhenhua RD., Futian, Shenzhen, China





**PECL-to-TTL  
TRANSLATOR**

**SY10H350**

**FEATURES**

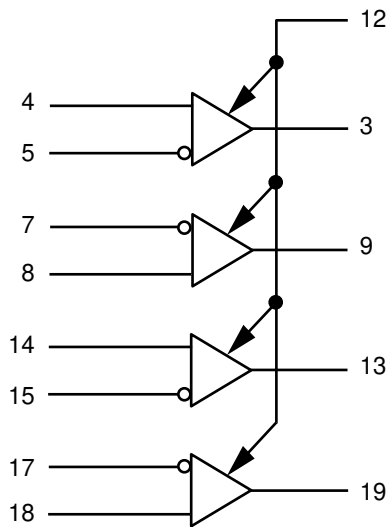
- Single 5V power supply
- Propagation delay, 3.5ns typical
- Fully compatible with MC10H350
- Available in 20-pin PLCC package

**DESCRIPTION**

The SY10H350 consists of 4 translators with differential inputs and TTL outputs. The 3-state outputs can be disabled by applying a HIGH TTL logic level on the common OE input.

The SY10H350 is designed to be used primarily in systems incorporating both ECL and TTL logic operating off a common power supply. The separate  $V_{CC}$  power pins are not connected internally and thus isolate the noisy TTL  $V_{CC}$  runs from the relatively quiet ECL  $V_{CC}$  runs on the printed circuit board. The differential inputs allow the H350 to be used as an inverting or noninverting translator, or a differential line receiver. The H350 can also drive CMOS with the addition of a pullup resistor.

**BLOCK DIAGRAM**

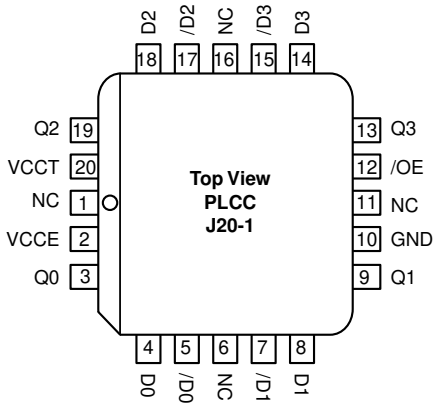


$V_{CC}$  (+5 VDC) = Pins 2 and 20; GND = Pin 10

**PIN NAMES**

| Pin           | Function             |
|---------------|----------------------|
| $D_0 - D_3$   | True PECL Inputs     |
| $/D_0 - /D_3$ | Inverted PECL Inputs |
| $Q_0 - Q_3$   | TTL Outputs          |
| $V_{CCE}$     | PECL $V_{CC}$ (5.0V) |
| $V_{CCT}$     | TTL $V_{CC}$ (5.0V)  |
| GND           | Ground               |
| $/OE$         | Output Enable        |

**PACKAGE/ORDERING INFORMATION**



**20-Pin PLCC (J20-1)**

**Ordering Information<sup>(1)</sup>**

| Part Number                    | Package Type | Operating Range | Package Marking                            | Lead Finish |
|--------------------------------|--------------|-----------------|--|-------------|
| SY10H350JC                     | J20-1        | Commercial      | SY10H350JC                                 | Sn-Pb       |
| SY10H350JCTR <sup>(2)</sup>    | J20-1        | Commercial      | SY10H350JC                                 | Sn-Pb       |
| SY10H350JZ <sup>(3)</sup>      | J20-1        | Commercial      | SY10H350JZ with Pb-Free bar-line indicator | Matte-Sn    |
| SY10H350JZTR <sup>(2, 3)</sup> | J20-1        | Commercial      | SY10H350JZ with Pb-Free bar-line indicator | Matte-Sn    |

**Notes:**

1. Contact factory for die availability. Dice are guaranteed at T<sub>A</sub> = 25°C, DC Electricals only.
2. Tape and Reel.
3. Pb-Free package is recommended for new designs.

**ABSOLUTE MAXIMUM RATINGS<sup>(1)</sup>**

| Symbol      | Parameter                               | Value                    | Unit |
|-------------|---|--------------------------|------|
| $V_{CC}$    | Power Supply Voltage                    | -0.5 to +7.0             | V    |
| $V_I$       | PECL Input Voltage                      | 0V to $V_{CC}+0.5$       | V    |
| $V_O$       | Voltage Applied to Output at HIGH State | -0.5 to +5.5             | V    |
| $I_O$       | Current Applied to Output at LOW State  | Twice the Rated $I_{OL}$ | mA   |
| $T_{LEAD}$  | Lead Temperature (soldering, 20sec.)    | +260                     | °C   |
| $T_{store}$ | Storage Temperature                     | -65 to +150              | °C   |
| $T_A$       | Operating Temperature                   | 0 to +85                 | °C   |

**TRUTH TABLE**

| /EN  | D    | /D   | Q |
|------|------|------|---|
| L    | L    | H    | L |
| L    | H    | L    | H |
| L    | Open | Open | L |
| H    | X    | X    | Z |
| Open | X    | X    | Z |

**NOTE:**

1. Permanent device damage may occur if absolute maximum ratings are exceeded. This is a stress rating only and functional operation is not implied at conditions other than those detailed in the operational sections of this data sheet. Exposure to absolute maximum rating conditions for extended periods may affect device reliability.

**DC ELECTRICAL CHARACTERISTICS**

$V_{CC} = 4.75V$  to  $5.25V$

| Symbol                | Parameter   | $T_A = 0^\circ C$ |          | $T_A = +25^\circ C$ |      |          | $T_A = +85^\circ C$ |          | Unit    | Condition         |                 |
|-----------------------|---|-------------------|----------|---------------------|------|----------|---------------------|----------|---------|-------------------|-----------------|
|                       |   | Min.              | Max.     | Min.                | Typ. | Max.     | Min.                | Max.     |         |                   |                 |
| $I_{CC}$              | Power Supply Current                                  | TTL               | —        | 20                  | —    | 12       | 20                  | —        | 20      | mA                | No output loads |
|                       |   | ECL               | —        | 12                  | —    | 12       | —                   | —        | 12      |                   |                 |
| $V_{OH}$              | Output HIGH Voltage                                   | 2.7               | —        | 2.7                 | —    | —        | 2.7                 | —        | V       | $I_{OH} = -3.0mA$ |                 |
| $V_{OL}$              | Output LOW Voltage                                    | —                 | 0.5      | —                   | —    | 0.5      | —                   | 0.5      | V       | $I_{OL} = 20mA$   |                 |
| $I_{IH}$<br>$I_{INH}$ | Input HIGH Current (Pin 12)<br>Reverse Current Others | —                 | 20       | —                   | —    | 20       | —                   | 20       | $\mu A$ |                   |                 |
|                       |   | —                 | 50       | —                   | —    | 50       | —                   | 50       | $\mu A$ |                   |                 |
| $I_{IL}$<br>$I_{INL}$ | Input LOW Current (Pin 12)<br>Forward Current Others  | —                 | -0.6     | —                   | —    | -0.6     | —                   | -0.6     | mA      |                   |                 |
|                       |   | —                 | 50       | —                   | —    | 50       | —                   | 50       | $\mu A$ |                   |                 |
| $I_{OS}$              | Output Short Circuit Current                          | -60               | -150     | -60                 | —    | -150     | -60                 | -150     | mA      | $V_{OUT} = 0V$    |                 |
| $I_{OZH}$             | Output Disable Current HIGH                           | —                 | 50       | —                   | —    | 50       | —                   | 50       | $\mu A$ | $V_{OUT} = 2.7V$  |                 |
| $I_{OZL}$             | Output Disable Current LOW                            | -50               | +50      | -50                 | —    | +50      | -50                 | +50      | $\mu A$ | $V_{OUT} = 0.5$   |                 |
| $V_{CMR}$             | Common Mode Range                                     | 2.8               | $V_{CC}$ | 2.8                 | —    | $V_{CC}$ | 2.8                 | $V_{CC}$ | V       |                   |                 |
| $V_{PP}$              | Minimum Peak-to-Peak Input <sup>(1)</sup>             | 200               | —        | 200                 | —    | —        | 200                 | —        | mV      |                   |                 |
| $V_{IH}$              | Input HIGH Voltage (Pin 12)                           | 2.0               | —        | 2.0                 | —    | —        | 2.0                 | —        | V       |                   |                 |
| $V_{IL}$              | Input LOW Voltage (Pin 12)                            | —                 | 0.8      | —                   | —    | 0.8      | —                   | 0.8      | V       |                   |                 |

**Notes:**

1. 200mV input guarantees full logic at output.
2. These values are for  $V_{CC} = 5.0V$ . Level Specifications will vary 1:1  $V_{CC}$ .

**AC ELECTRICAL CHARACTERISTICS**

V<sub>CC</sub> = 4.75V to 5.25V

| Symbol                                 | Parameter                               | T <sub>A</sub> = 0°C |      | T <sub>A</sub> = +25°C |      |      | T <sub>A</sub> = +85°C |      | Unit | Condition             |
|--|---|----------------------|------|------------------------|------|------|------------------------|------|------|-----------------------|
|  |   | Min.                 | Max. | Min.                   | Typ. | Max. | Min.                   | Max. |      |                       |
| t <sub>PLH</sub><br>t <sub>PHL</sub>   | Propagation Delay<br>D to Output Q      | 1.5                  | 5.0  | 1.5                    | 3.5  | 5.0  | 1.5                    | 5.0  | ns   | C <sub>L</sub> = 50pF |
| t <sub>pdLZ</sub><br>t <sub>pdHZ</sub> | Output Disable Time <sup>(1)</sup>      | 2.0                  | 8.0  | 2.0                    | —    | 8.0  | 2.0                    | 8.0  | ns   | C <sub>L</sub> = 50pF |
| t <sub>pdZL</sub><br>t <sub>pdZH</sub> | Output Enable Time <sup>(1)</sup>       | 2.0                  | 8.0  | 2.0                    | —    | 8.0  | 2.0                    | 8.0  | ns   | C <sub>L</sub> = 50pF |
| t <sub>r</sub><br>t <sub>f</sub>       | Output Rise/Fall Time<br>(1.0V to 2.0V) | 0.3                  | 1.6  | 0.3                    | 0.8  | 1.6  | 0.3                    | 1.6  | ns   | C <sub>L</sub> = 50pF |

**Notes:**

1. Guaranteed, but not tested.

**SWITCHING WAVEFORMS**

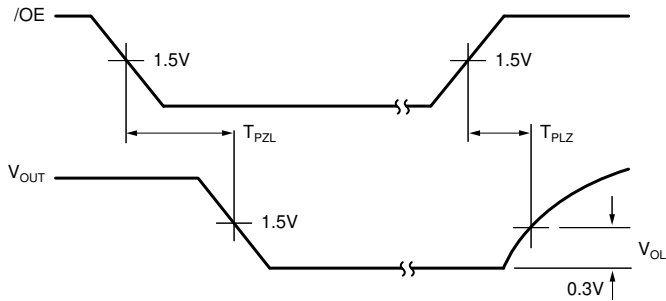


Figure 1. 3-State Output Low Enable and Disable Times

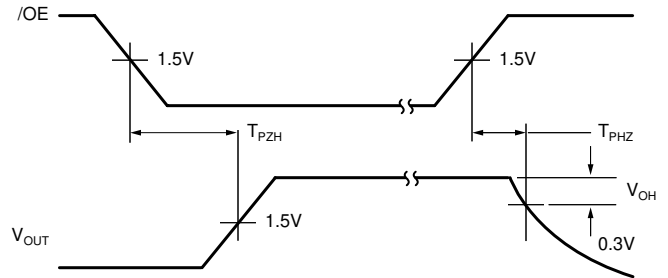


Figure 2. 3-State Output High Enable and Disable Times

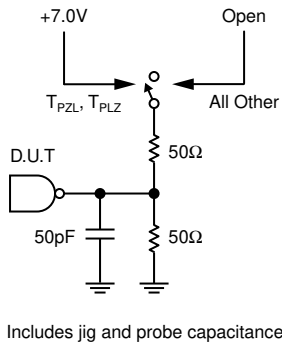


Figure 3. Test Load

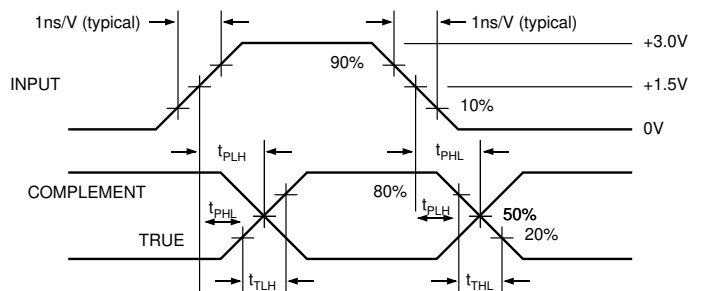
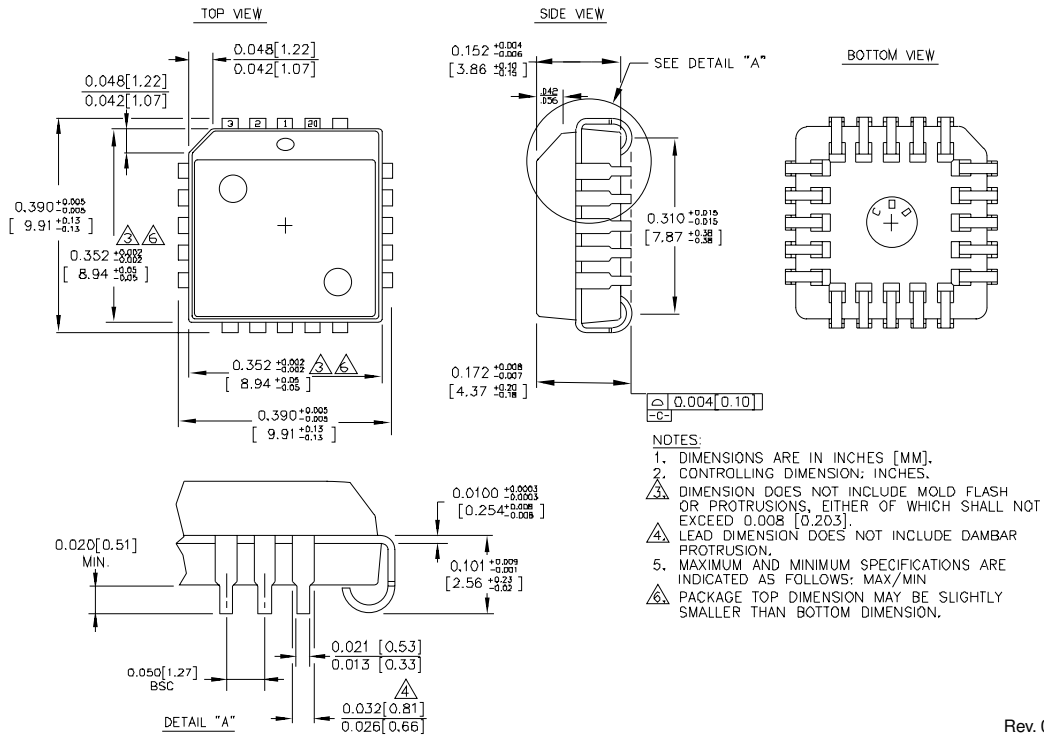


Figure 4. Propagation Delay and Transition Times

**\*Application Note:** Pin 12 is an /OE and the 10H350 is disabled when /OE is at V<sub>IH</sub> or higher.

**20-PIN PLASTIC LEADED CHIP CARRIER (J20-1)**



Rev. 00

**MICREL, INC. 2180 FORTUNE DRIVE SAN JOSE, CA 95131 USA**

TEL + 1 (408) 944-0800 FAX + 1 (408) 474-1000 WEB <http://www.micrel.com>

The information furnished by Micrel in this data sheet is believed to be accurate and reliable. However, no responsibility is assumed by Micrel for its use. Micrel reserves the right to change circuitry and specifications at any time without notification to the customer.

Micrel Products are not designed or authorized for use as components in life support appliances, devices or systems where malfunction of a product can reasonably be expected to result in personal injury. Life support devices or systems are devices or systems that (a) are intended for surgical implant into the body or (b) support or sustain life, and whose failure to perform can be reasonably expected to result in a significant injury to the user. A Purchaser's use or sale of Micrel Products for use in life support appliances, devices or systems is at Purchaser's own risk and Purchaser agrees to fully indemnify Micrel for any damages resulting from such use or sale.

© 2006 Micrel, Incorporated.