



Chipsmall Limited consists of a professional team with an average of over 10 year of expertise in the distribution of electronic components. Based in Hongkong, we have already established firm and mutual-benefit business relationships with customers from,Europe,America and south Asia,supplying obsolete and hard-to-find components to meet their specific needs.

With the principle of “Quality Parts,Customers Priority,Honest Operation,and Considerate Service”,our business mainly focus on the distribution of electronic components. Line cards we deal with include Microchip,ALPS,ROHM,Xilinx,Pulse,ON,Everlight and Freescale. Main products comprise IC,Modules,Potentiometer,IC Socket,Relay,Connector.Our parts cover such applications as commercial,industrial, and automotives areas.

We are looking forward to setting up business relationship with you and hope to provide you with the best service and solution. Let us make a better world for our industry!



Contact us

Tel: +86-755-8981 8866 Fax: +86-755-8427 6832

Email & Skype: info@chipsmall.com Web: www.chipsmall.com

Address: A1208, Overseas Decoration Building, #122 Zhenhua RD., Futian, Shenzhen, China



FEATURES

- 9-bit ideal for byte-parity applications
- 3-state TTL outputs
- Flow-through configuration
- Extra TTL and ECL power/ground pins to minimize switching noise
- Dual supply
- 6.0ns max. delay into 50pF, 12ns into 200pF (all outputs switching)
- PNP TTL inputs for low loading
- Choice of ECL compatibility: MECL 10KH (10Hxxx) or 100K (100Hxxx)
- Fully compatible with MC10H/100H603
- Available in 28-pin PLCC package

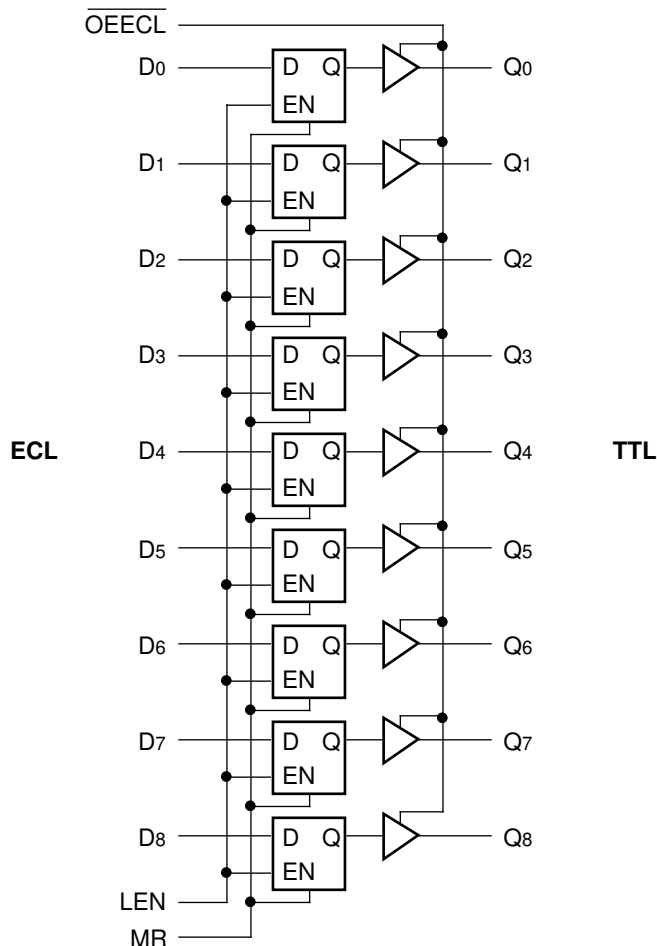
DESCRIPTION

The SY10/100H603 are 9-bit, dual supply ECL-to-TTL translators. Devices in the Micrel 9-bit translator series utilize the 28-lead PLCC for optimal power pinning, signal flow-through and electrical performance.

The devices feature a 48mA TTL output stage and AC performance is specified into both a 50pF and 200pF load capacitance. Latching is controlled by Latch Enable (LEN) and Master Reset (MR) resets the latches. A HIGH on \overline{OEECL} sends the outputs into the high impedance state. All control inputs are ECL level.

The 10H version is compatible with MECL 10KH ECL logic levels. The 100H version is compatible with 100K levels.

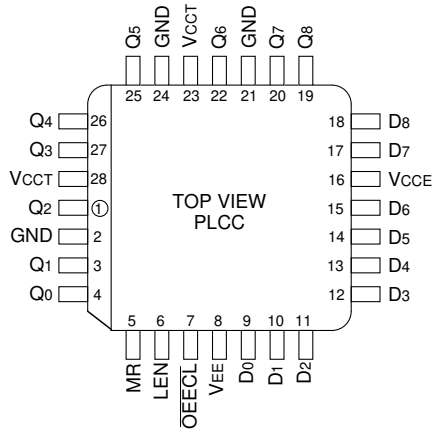
BLOCK DIAGRAM



PIN NAMES

Pin	Function
GND	TTL Ground (0V)
V _{CCE}	ECL V _{CC} (0V)
V _{CCT}	TTL Supply (+5.0V)
V _{EE}	ECL Supply (-5.2/-4.5V)
D ₀ -D ₈	Data Inputs (ECL)
Q ₀ -Q ₈	Data Outputs (TTL)
\overline{OEECL}	3-state Control (ECL)
LEN	Latch Enable (ECL)
MR	Master Reset (ECL)

PACKAGE/ORDERING INFORMATION



28-Pin PLCC (J28-1)

Ordering Information⁽¹⁾

Part Number	Package Type	Operating Range	Package Marking	Lead Finish
SY10H603JC	J28-1	Commercial	SY10H603JC	Sn-Pb
SY10H603JCTR ⁽²⁾	J28-1	Commercial	SY10H603JC	Sn-Pb
SY100H603JC	J28-1	Commercial	SY100H603JC	Sn-Pb
SY100H603JCTR ⁽²⁾	J28-1	Commercial	SY100H603JC	Sn-Pb
SY10H603JZ ⁽³⁾	J28-1	Commercial	SY10H603JZ with Pb-Free bar-line indicator	Matte-Sn
SY10H603JZTR ^(2, 3)	J28-1	Commercial	SY10H603JZ with Pb-Free bar-line indicator	Matte-Sn
SY100H603JZ ⁽³⁾	J28-1	Commercial	SY100H603JZ with Pb-Free bar-line indicator	Matte-Sn
SY100H603JZTR ^(2, 3)	J28-1	Commercial	SY100H603JZ with Pb-Free bar-line indicator	Matte-Sn

Notes:

1. Contact factory for die availability. Dice are guaranteed at T_A = 25°C, DC Electricals only.
2. Tape and Reel.
3. Pb-Free package is recommended for new designs.

TRUTH TABLE

D	LEN	MR	\overline{OECL}	Q
L	L	L	L	L
H	L	L	L	H
X	H	L	L	Q ₀
X	X	H	L	L
X	X	X	H	Z

DC ELECTRICAL CHARACTERISTICS

V_{CC}T = 5.0V ± 10%; V_{EE} = -4.75V to -5.5V (10H Version); V_{EE} = -4.2V to -5.5V (100H Version)

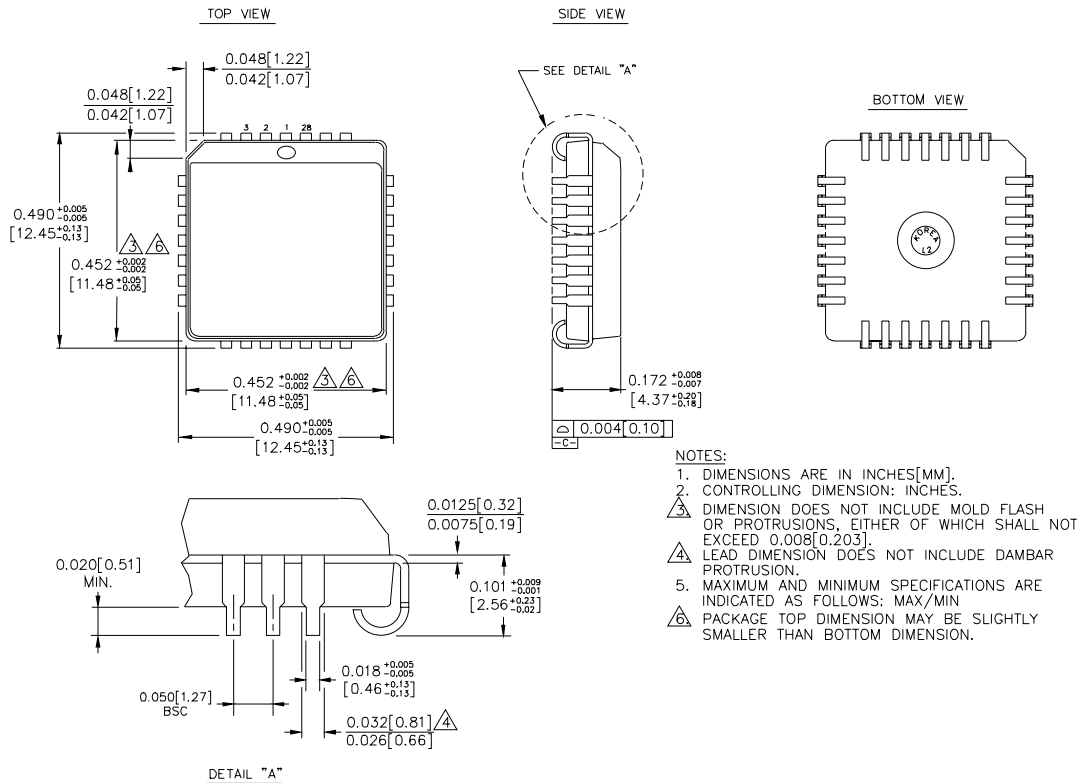
Symbol	Parameter	TA = 0°C		TA = +25°C		TA = +85°C		Unit	Condition
		Min.	Max.	Min.	Max.	Min.	Max.		
IEE	Power Supply Current, ECL	45	63	45	64	45	68	mA	—
ICC	Power Supply Current, TTL	80	110	80	110	80	110	mA	—
I _{OS}	Output Short Circuit Current	-100	-225	-100	-225	-100	-225	mA	V _{OUT} = 0V
I _{OZH}	Output Disable Current, HIGH	—	50	—	50	—	50	μA	V _{OUT} = 2.7V
I _{OZL}	Output Disable Current, LOW	—	-50	—	-50	—	-50	μA	V _{OUT} = 0.5V

AC ELECTRICAL CHARACTERISTICS

V_{CC}T = 5.0V ± 10%; V_{EE} = -4.75V to -5.5V (10H Version); V_{EE} = -4.2V to -5.5V (100H Version)

Symbol	Parameter	TA = 0°C		TA = +25°C		TA = +85°C		Unit	Condition	
		Min.	Max.	Min.	Max.	Min.	Max.			
t _{PD}	Propagation Delay to Output	D	3.2 6.4	6.0 12	3.2 6.4	6.0 12	3.2 6.4	6.0 12	ns	CL = 50pF CL = 200pF
		LEN	3.5 7.0	6.5 13	3.5 7.0	6.5 13	3.5 7.0	6.5 13	ns	CL = 50pF CL = 200pF
		MR	3.0 6.0	6.0 12	3.0 6.0	6.0 12	3.0 6.0	6.0 12	ns	CL = 50pF CL = 200pF
t _s	Set-up Time, D to LEN	1.5	—	1.5	—	1.5	—	ns	—	
t _H	Hold Time, D to LEN	0.8	—	0.8	—	0.8	—	ns	—	
t _w ^(L)	LEN Pulse Width, LOW	2.0	—	2.0	—	2.0	—	ns	—	
t _{PLZ} t _{PHZ}	Output Disable Time	2.5 4.2	6.5 13	2.5 4.2	6.5 13	2.5 4.2	6.5 13	ns	CL = 50pF CL = 200pF	
t _{PZL} t _{PZH}	Output Enable Time	2.0 4.0	5.0 10	2.0 4.0	5.0 10	2.0 4.0	5.0 10	ns	CL = 50pF CL = 200pF	
t _r t _f	Output Rise/Fall Time 1.0V – 2.0V	0.2 0.2	1.2 3.0	0.2 0.2	1.2 3.0	0.2 0.2	1.2 3.0	ns	CL = 50pF CL = 200pF	

28-PIN PLCC (J28-1)



Rev. 03

MICREL, INC. 2180 FORTUNE DRIVE SAN JOSE, CA 95131 USA

TEL + 1 (408) 944-0800 FAX + 1 (408) 474-1000 WEB <http://www.micrel.com>

The information furnished by Micrel in this data sheet is believed to be accurate and reliable. However, no responsibility is assumed by Micrel for its use. Micrel reserves the right to change circuitry and specifications at any time without notification to the customer.

Micrel Products are not designed or authorized for use as components in life support appliances, devices or systems where malfunction of a product can reasonably be expected to result in personal injury. Life support devices or systems are devices or systems that (a) are intended for surgical implant into the body or (b) support or sustain life, and whose failure to perform can be reasonably expected to result in a significant injury to the user. A Purchaser's use or sale of Micrel Products for use in life support appliances, devices or systems is at Purchaser's own risk and Purchaser agrees to fully indemnify Micrel for any damages resulting from such use or sale.

© 2006 Micrel, Incorporated.