



Chipsmall Limited consists of a professional team with an average of over 10 year of expertise in the distribution of electronic components. Based in Hongkong, we have already established firm and mutual-benefit business relationships with customers from,Europe,America and south Asia,supplying obsolete and hard-to-find components to meet their specific needs.

With the principle of “Quality Parts,Customers Priority,Honest Operation,and Considerate Service”,our business mainly focus on the distribution of electronic components. Line cards we deal with include Microchip,ALPS,ROHM,Xilinx,Pulse,ON,Everlight and Freescale. Main products comprise IC,Modules,Potentiometer,IC Socket,Relay,Connector.Our parts cover such applications as commercial,industrial, and automotives areas.

We are looking forward to setting up business relationship with you and hope to provide you with the best service and solution. Let us make a better world for our industry!



## Contact us

Tel: +86-755-8981 8866 Fax: +86-755-8427 6832

Email & Skype: info@chipsmall.com Web: www.chipsmall.com

Address: A1208, Overseas Decoration Building, #122 Zhenhua RD., Futian, Shenzhen, China





**3.3V/5V 2.5GHz  
PECL/ECL DIFFERENTIAL  
RECEIVER/BUFFER**

**Precision Edge®  
SY89306/316V**

**FEATURES**

- $f_{MAX} > 2.5GHz$
- Inputs (D, /D) include 75kΩ pull-down resistors
- SY89306V: 100k EP compatible
- SY89316V: 10k EP compatible
- Industrial temperature range: -40°C to +85°C
- Available in an ultra-small 8-pin (2mm x 2mm) MLF® package



Precision Edge®

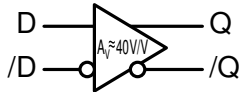
**DESCRIPTION**

The SY89306V and SY89316V are a high-speed buffer/receivers. The devices are functionally equivalent to the 10/100EP16 buffers, but feature a 70% smaller footprint.

The SY89306/316V includes a  $V_{BB}$  reference for single-ended AC-coupling applications. Whenever used, the  $V_{BB}$  pin should be bypassed to ground via a 0.01μF capacitor.  $V_{BB}$  reference can only sink/source 0.5mA.

Under open input conditions (pulled to  $V_{EE}$ ), internal input clamps will force the Q output LOW.

**BLOCK DIAGRAM**

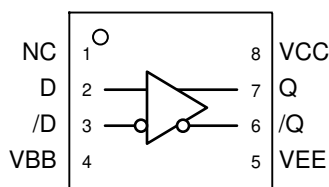


**FUNCTIONAL CROSS REFERENCE**

Micrel Part Number	Logic	Functional Cross
SY89306V	100kEP	100EP16V
SY89316V	10kEP	10EP16V

**PACKAGE/ORDERING INFORMATION**

**Ordering Information**



**8-Pin MLF®  
Ultra-Small Outline**

Part Number	Package Type	Operating Range	Package Marking	Lead Finish
SY89306VMITR	MLF-8	Industrial	306	Sn-Pb
SY89316VMITR	MLF-8	Industrial	316	Sn-Pb
SY89306VMGTR <sup>(1)</sup>	MLF-8	Industrial	306 with Pb-Free bar-line indicator	Pb-Free NiPdAu
SY89316VMGTR <sup>(1)</sup>	MLF-8	Industrial	316 with Pb-Free bar-line indicator	Pb-Free NiPdAu

**Note:**

1. Pb-Free package is recommended for new designs.

**PIN DESCRIPTION**

**SY89306V**

Pin Number	Pin Name	Type	Pin Function
2, 3	D, /D	100k ECL Input	Differential PECL/ECL Input: The signal inputs include internal 75kΩ pull-down resistors. If inputs are left open, Q output will default to LOW. See "Input Interface Applications" section for single-ended inputs.
7, 6	Q, /Q	100k ECL Output	Differential PECL/ECL Output: Defaults to LOW if D inputs left open. See "Output Interface Applications" section for recommendations on terminations.
8	VCC	Positive Power Supply	Positive Power Supply: Bypass with 0.1μF//0.01μF low ESR capacitors.
5	VEE Exposed Pad	Negative Power Supply	Negative Power Supply: V <sub>EE</sub> and exposed pad must be tied to most negative supply. For PECL/LVPECL connect to ground.
4	VBB	Reference Voltage Output	Bias Voltage: V <sub>CC</sub> -1.4V. Used as reference voltage when AC coupling to the D, /D inputs. Max sink/source is ±0.5mA.
1	NC		No connection.

**SY89316V**

Pin Number	Pin Name	Type	Pin Function
2, 3	D, /D	10k ECL Input	Differential PECL/ECL Input: The signal inputs include internal 75kΩ pull-down resistors. If inputs are left open, Q output will default to LOW. See "Input Interface Applications" section for single-ended inputs.
7, 6	Q, /Q	10k ECL Output	Differential PECL/ECL Output: Defaults to LOW if D inputs left open. See "Output Interface Applications" section for recommendations on terminations.
8	VCC	Positive Power Supply	Positive Power Supply: Bypass with 0.1μF//0.01μF low ESR capacitors.
5	VEE Exposed Pad	Negative Power Supply	Negative Power Supply: V <sub>EE</sub> and exposed pad must be tied to most negative supply. For PECL/LVPECL connect to ground.
4	VBB	Reference Voltage Output	Bias Voltage: V <sub>CC</sub> -1.4V. Used as reference voltage when AC coupling to the D, /D inputs. Max sink/source is ±0.5mA.
1	NC		No connection.

### Absolute Maximum Ratings<sup>(1)</sup>

Power Supply Voltage ( $V_{EE}$ ) ( $V_{CC} = 0V$ ) .....	-6.0V to 0V
Power Supply Voltage ( $V_{CC}$ ) ( $V_{EE} = 0V$ ) .....	+6.0V to 0V
Input Voltage ( $V_{IN}$ )	
( $V_{CC} = 0V$ , $V_{IN}$ not more negative than $V_{EE}$ )	-6.0V to 0V
( $V_{EE} = 0V$ , $V_{IN}$ not more negative than $V_{CC}$ )	+6.0V to 0V
Output Current ( $I_{OUT}$ )	
Continuous .....	50mA
Surge .....	100mA
$V_{BB}$ Sink/Source Current ( $I_{BB}$ ) .....	$\pm 0.5mA$
Lead Temperature (soldering, 20 sec.) .....	260°C
Storage Temperature ( $T_S$ ) .....	-65°C to +150°C

### Operating Ratings<sup>(2)</sup>

Power Supply Voltage ( $ V_{CC}-V_{EE} $ ) .....	3.0V to 3.6V
.....	4.5V to 5.5V
Ambient Temperature ( $T_A$ ) .....	-40°C to +85°C
Package Thermal Resistance <sup>(3)</sup>	
MLF® ( $\theta_{JA}$ )	
Still-Air .....	93°C/W
500lfpm .....	87°C/W
MLF® ( $\psi_{JB}$ ) .....	60°C/W

## SY89306V (100K ECL) DC ELECTRICAL CHARACTERISTICS

$V_{CC} = +3.3V \pm 10\%$  or  $+5V \pm 10\%$  and  $V_{EE} = 0V$ ;  $V_{CC} = 0V$  and  $V_{EE} = -3.3V \pm 10\%$  or  $-5V \pm 10\%$ ;  $T_A = -40^\circ C$  to  $+85^\circ C$ , unless otherwise noted.

Symbol	Parameter	Condition	Min	Typ	Max	Units
$I_{EE}$	Power Supply Current				48	mA
$V_{OH}$	Output HIGH Voltage	Note 4, 5	$V_{CC}-1.085$	—	$V_{CC}-0.880$	V
$V_{OL}$	Output LOW Voltage	Note 4, 5	$V_{CC}-1.830$	—	$V_{CC}-1.555$	V
$V_{IH}$	Input HIGH Voltage		$V_{CC}-1.165$	—	$V_{CC}-0.880$	V
$V_{IL}$	Input LOW Voltage		$V_{CC}-1.810$	—	$V_{CC}-1.475$	V
$V_{IHCMR}$	Input HIGH Voltage Common Mode Range	Note 6	$V_{EE} + 2.0$	—	$V_{CC}-0.4$	V
$V_{BB}$	Bias Voltage		$V_{CC}-1.38$	—	$V_{CC}-1.26$	V
$I_{IH}$	Input HIGH Current		—	—	150	$\mu A$
$I_{IL}$	Input LOW Current		0.5	—	—	$\mu A$

#### Notes:

1. Permanent device damage may occur if absolute maximum ratings are exceeded. This is a stress rating only and functional operation is not implied at conditions other than those detailed in the operational sections of this data sheet. Exposure to absolute maximum rating conditions for extended periods may affect device reliability.
2. The data sheet limits are not guaranteed if the device is operated beyond the operating ratings.
3. Package Thermal Resistance values assumes exposed pad is soldered (or equivalent) to the device's most negative potential on the PCB.
4. Output loaded with  $50\Omega$  to  $V_{CC}-2V$ .
5.  $V_{IN} = V_{IL}(\text{min})$  or  $V_{IH}(\text{max})$
6.  $V_{IHCMR}(\text{Min})$  varies 1:1 with  $V_{EE}$ , (max) varies 1:1 with  $V_{CC}$ .

### SY89316V (10K ECL) DC ELECTRICAL CHARACTERISTICS

$V_{CC} = +3.3V \pm 10\%$  or  $+5V \pm 10\%$  and  $V_{EE} = 0V$ ;  $V_{CC} = 0V$  and  $V_{EE} = -3.3V \pm 10\%$  or  $-5V \pm 10\%$ ;  $T_A = -40^\circ C$  to  $+85^\circ C$ , unless otherwise noted.

Symbol	Parameter	Condition	Min	Typ	Max	Units
$I_{EE}$	Power Supply Current				48	mA
$V_{OH}$	Output HIGH Voltage	Note 4, 5	$V_{CC}-1.08$	—	$V_{CC}-0.72$	V
$V_{OL}$	Output LOW Voltage	Note 4, 5	$V_{CC}-1.95$	—	$V_{CC}-1.595$	V
$V_{IH}$	Input HIGH Voltage		$V_{CC}-1.23$	—	$V_{CC}-0.72$	V
$V_{IL}$	Input LOW Voltage		$V_{CC}-1.95$	—	$V_{CC}-1.445$	V
$V_{IHCMR}$	Input HIGH Voltage Common Mode Range	Note 6	$V_{EE} + 2.0$	—	$V_{CC}-0.4$	V
$V_{BB}$	Bias Voltage		$V_{CC}-1.43$	—	$V_{CC}-1.19$	V
$I_{IH}$	Input HIGH Current		—	—	150	$\mu A$
$I_{IL}$	Input LOW Current		0.5	—	—	$\mu A$

**Notes:**

1. Permanent device damage may occur if absolute maximum ratings are exceeded. This is a stress rating only and functional operation is not implied at conditions other than those detailed in the operational sections of this data sheet. Exposure to absolute maximum rating conditions for extended periods may affect device reliability.
2. The data sheet limits are not guaranteed if the device is operated beyond the operating ratings.
3. Package Thermal Resistance values assumes exposed pad is soldered (or equivalent) to the device's most negative potential on the PCB.
4. Output loaded with  $50\Omega$  to  $V_{CC}-2V$ .
5.  $V_{IN} = V_{IL}(\text{min})$  or  $V_{IH}(\text{max})$
6.  $V_{IHCMR}$  (Min) varies 1:1 with  $V_{EE}$ , (max) varies 1:1 with  $V_{CC}$ .

### AC ELECTRICAL CHARACTERISTICS

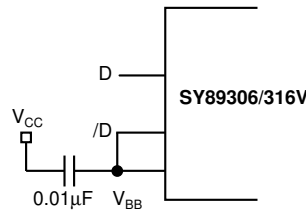
$V_{CC} = +3.3V \pm 10\%$  or  $+5V \pm 10\%$  and  $V_{EE} = 0V$ ;  $V_{CC} = 0V$  and  $V_{EE} = -3.3V \pm 10\%$  or  $-5V \pm 10\%$ ;  $R_L = 50\Omega$  to  $V_{CC}-2V$ ;  $T_A = -40^\circ C$  to  $+85^\circ C$ , unless noted.

Symbol	Parameter	Condition	Min	Typ	Max	Units
$f_{MAX}$	Maximum Input Frequency	Note 7	2.5			GHz
$t_{PLH}$ $t_{PHL}$	Propagation Delay (Differential)	D to Q, /Q; Note 8	100		300	ps
$t_{SKEW}$	Duty-Cycle Skew	Note 9		8	30	ps
$t_r, t_f$	Output Rise/Fall Times (20% to 80%)	Q, /Q	60	110	180	ps

**Notes:**

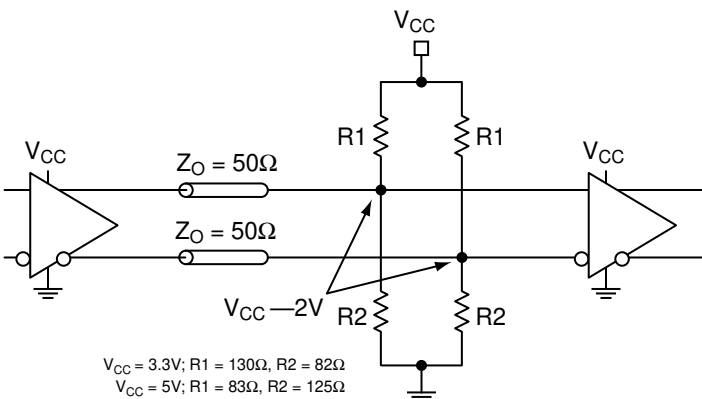
7.  $f_{MAX}$  guaranteed for functionality only,  $V_{OUT} \geq 400mV$ .  $V_{OL}$  and  $V_{OH}$  levels are guaranteed at DC only.
8.  $V_{IN} = 800mV$ .
9. Duty-cycle skew is the difference between the  $t_{PLH}$  and  $t_{PHL}$  propagation delay.

**INPUT INTERFACE APPLICATIONS**



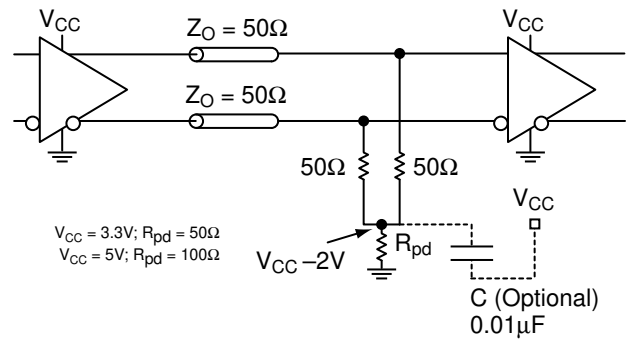
**Figure 1. Single-Ended LVPECL Input (Terminating Unused Input)**

**LVPECL OUTPUT INTERFACE APPLICATIONS**



$V_{CC} = 3.3V; R_1 = 130\Omega, R_2 = 82\Omega$   
 $V_{CC} = 5V; R_1 = 83\Omega, R_2 = 125\Omega$

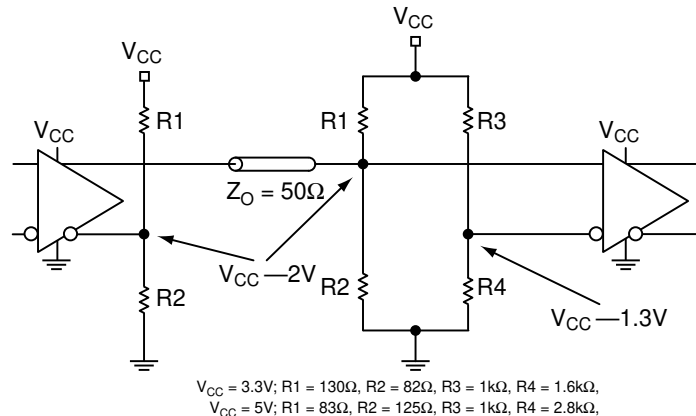
**Figure 2a. Parallel Thevenin-Equivalent Termination**



$V_{CC} = 3.3V; R_{pd} = 50\Omega$   
 $V_{CC} = 5V; R_{pd} = 100\Omega$

$C$  (Optional)  
 $0.01\mu F$

**Figure 2b. Three Resistor "Y Termination"**



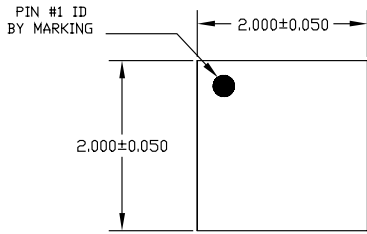
$V_{CC} = 3.3V; R_1 = 130\Omega, R_2 = 82\Omega, R_3 = 1k\Omega, R_4 = 1.6k\Omega$   
 $V_{CC} = 5V; R_1 = 83\Omega, R_2 = 125\Omega, R_3 = 1k\Omega, R_4 = 2.8k\Omega$

**Figure 2c. Terminating Unused I/O**

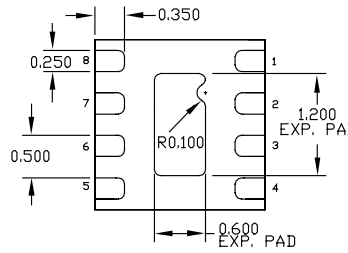
**RELATED PRODUCT AND SUPPORT DOCUMENTATION**

Part Number	Function	Data Sheet Link
SY89206/216V	3.3V/5V 1GHz Differential PECL/ECL Receiver/Buffer	<a href="http://www.micrel.com/product-info/products/sy89206-216v.shtml">www.micrel.com/product-info/products/sy89206-216v.shtml</a>
SY89223L	3.3V Dual Differential LVPECL-to-LVTTL Translator	<a href="http://www.micrel.com/product-info/products/sy89223l.shtml">www.micrel.com/product-info/products/sy89223l.shtml</a>
HBW Solutions	New Products and Applications	<a href="http://www.micrel.com/product-info/products/solutions.shtml">www.micrel.com/product-info/products/solutions.shtml</a>

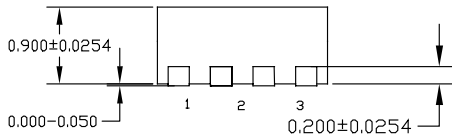
**8-PIN ULTRA-SMALL EPAD-MicroLeadFrame® (MLF-8)**



TOP VIEW

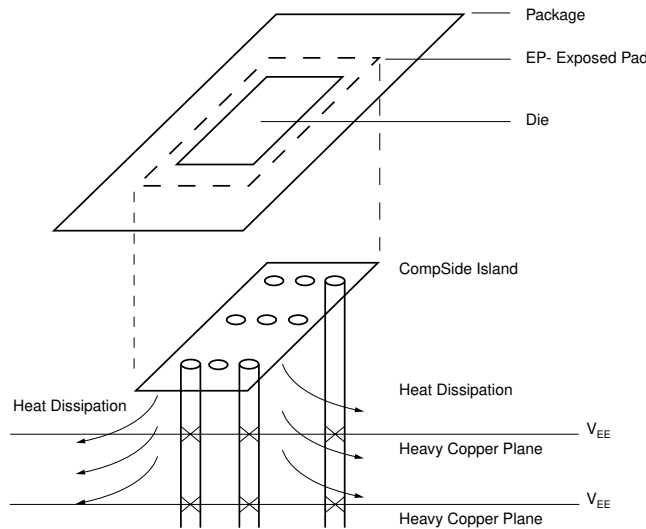


BOTTOM VIEW



SIDE VIEW

- NOTE:
1. ALL DIMENSIONS ARE IN MILLIMETERS.
  2. MAX. PACKAGE WARPAGE IS 0.05 mm.
  3. MAXIMUM ALLOWABLE BURRS IS 0.076 mm IN ALL DIRECTIONS.
  4. PIN #1 ID ON TOP WILL BE LASER/INK MARKED.



**PCB Thermal Consideration for 8-Pin MLF® Package**

**Package Notes:**

1. Package meets Level 2 Moisture Sensitivity Classification and is shipped in Dry-pack form.
2. Exposed pads must be soldered to the most negative supply plane, equivalent to  $V_{EE}$ , for proper thermal management.

**MICREL, INC. 2180 FORTUNE DRIVE SAN JOSE, CA 95131 USA**

TEL + 1 (408) 944-0800 FAX + 1 (408) 474-1000 WEB <http://www.micrel.com>

The information furnished by Micrel in this datasheet is believed to be accurate and reliable. However, no responsibility is assumed by Micrel for its use. Micrel reserves the right to change circuitry and specifications at any time without notification to the customer.

Micrel Products are not designed or authorized for use as components in life support appliances, devices or systems where malfunction of a product can reasonably be expected to result in personal injury. Life support devices or systems are devices or systems that (a) are intended for surgical implant into the body or (b) support or sustain life, and whose failure to perform can be reasonably expected to result in a significant injury to the user. A Purchaser's use or sale of Micrel Products for use in life support appliances, devices or systems is at Purchaser's own risk and Purchaser agrees to fully indemnify Micrel for any damages resulting from such use or sale.

© 2006 Micrel, Incorporated.