



Chipsmall Limited consists of a professional team with an average of over 10 year of expertise in the distribution of electronic components. Based in Hongkong, we have already established firm and mutual-benefit business relationships with customers from,Europe,America and south Asia,supplying obsolete and hard-to-find components to meet their specific needs.

With the principle of “Quality Parts,Customers Priority,Honest Operation,and Considerate Service”,our business mainly focus on the distribution of electronic components. Line cards we deal with include Microchip,ALPS,ROHM,Xilinx,Pulse,ON,Everlight and Freescale. Main products comprise IC,Modules,Potentiometer,IC Socket,Relay,Connector.Our parts cover such applications as commercial,industrial, and automotives areas.

We are looking forward to setting up business relationship with you and hope to provide you with the best service and solution. Let us make a better world for our industry!



## Contact us

Tel: +86-755-8981 8866 Fax: +86-755-8427 6832

Email & Skype: info@chipsmall.com Web: www.chipsmall.com

Address: A1208, Overseas Decoration Building, #122 Zhenhua RD., Futian, Shenzhen, China





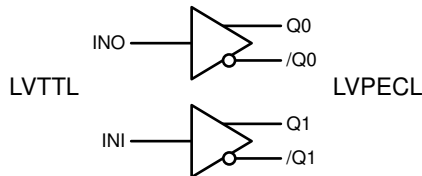
**3.3V/5V DUAL  
LVTTL/LVCMOS-to-DIFFERENTIAL  
LVPECL TRANSLATOR**

**Precision Edge®  
SY89322V**

**FEATURES**

- 3.3V and 5V power supply option
- 300ps typical propagation delay
- Differential LVPECL outputs
- PNP LVTTL inputs for minimal loading
- Flow-through pinouts
- Q outputs will default HIGH with inputs open
- Max. frequency range 800MHz
- Available in ultra-small 8-pin MLF® (2mm x 2mm) package

**BLOCK DIAGRAM**



**Precision Edge®**

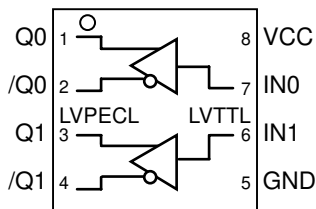
**DESCRIPTION**

The SY89322V is a dual TTL/CMOS-to-differential PECL translator capable of running from a 3.3V or 5V supply. This part can be used in either LVTTL/LVCMOS/LVPECL or TTL/CMOS/PECL systems.

It requires only a single positive supply of +3.3V or +5V, no negative supply is required.

The SY89322V is functionally equivalent to the SY100EPT22V, but in an ultra-small 8-lead MLF® package that features a 70% smaller footprint. The ultra-small package and the low skew, dual gate design of the SY89322V makes it ideal for those applications where space, performance and low power are at a premium.

**PACKAGE/ORDERING INFORMATION**



**8-Pin MLF®**  
**Ultra-Small Outline (2mm × 2mm)**

**Ordering Information**

Part Number	Package Type	Operating Range	Package Marking	Lead Finish
SY89322VMITR	MLF-8	Industrial	322	Sn-Pb
SY89322VMGTR <sup>(1)</sup>	MLF-8	Industrial	322 with Pb-Free bar-line indicator	Pb-Free NiPdAu

**Note:**

1. Pb-Free package is recommended for new designs.

**PIN DESCRIPTION**

Pin Number	Pin Name	Type	Pin Function
1, 2, 3, 4	Q0, /Q0, Q1, /Q1	100k ECL Output	Differential LVPECL Outputs: Default to LOW if IN input left open. See "Output Interface Applications" section for recommendations on terminations.
5	GND, Exposed Pad	Ground	GND and exposed pad must be tied to ground plane.
6, 7	IN1, IN0	TTL/LVTTTL Input	Single-ended TTL Inputs.
8	VCC	Power	Positive Power Supply: Bypass with 0.1µF//0.01µF low ESR capacitors.

### Absolute Maximum Ratings<sup>(1)</sup>

Supply Voltage ( $V_{CC}$ )	-0.5V to +6.0V
Input Voltage ( $V_{IN}$ )	-0.5V to $V_{CC}$
LVPECL Output Current ( $I_{OUT}$ )	
Continuous	50mA
Surge	100mA
Input Current	
Source or sink current on IN, /IN	±50mA
Lead Temperature (soldering, 20 sec.)	+260°C
Storage Temperature ( $T_S$ )	-65°C to +150°C

### Operating Ratings<sup>(2)</sup>

Supply Voltage ( $V_{CC}$ )	+3.0V to +3.6V
	+4.5V to +5.5V
Ambient Temperature ( $T_A$ )	-40°C to +85°C
Package Thermal Resistance <sup>(3)</sup>	
MLF <sup>®</sup> ( $\theta_{JA}$ )	
Still-Air	93°C/W
500lfpm	87°C/W
MLF <sup>®</sup> ( $\Psi_{JB}$ )	
Junction-to-Board	60°C/W

## DC ELECTRICAL CHARACTERISTICS

$T_A = -40^\circ\text{C}$  to  $+85^\circ\text{C}$

Symbol	Parameter	Condition	Min	Typ	Max	Units
$V_{CC}$	Power Supply Voltage		3.0		3.6	V
			4.5		5.5	V
$I_{CC}$	Power Supply Current				25	mA

## TTL DC ELECTRICAL CHARACTERISTICS

$V_{CC} = +3.3\text{V} \pm 10\%$  or  $+5.0\text{V} \pm 10\%$ ;  $T_A = -40^\circ\text{C}$  to  $+85^\circ\text{C}$ , unless otherwise noted.

Symbol	Parameter	Condition	Min	Typ	Max	Units
$V_{IH}$	Input HIGH Voltage		2.0			V
$V_{IL}$	Input LOW Voltage				0.8	V
$I_{IH}$	Input HIGH Current	$V_{IN} = 2.7\text{V}$ $V_{IN} = V_{CC}$			20	μA
					100	μA
$I_{IL}$	Input LOW Current	$V_{IN} = 0.5\text{V}$			-0.2	mA
$V_{IK}$	Input Clamp Voltage	$I_{IN} = -18\text{mA}$			-1.2	V

## PECL DC ELECTRICAL CHARACTERISTICS

$V_{CC} = +3.3\text{V} \pm 10\%$  or  $+5\text{V} \pm 10\%$ ;  $R_L = 50\Omega$  to  $V_{CC}-2\text{V}$ ;  $T_A = -40^\circ\text{C}$  to  $+85^\circ\text{C}$ , unless otherwise noted.

Symbol	Parameter	Condition	Min	Typ	Max	Units
$V_{OH}$	Output HIGH		$V_{CC}-1.080$		$V_{CC}-0.880$	V
$V_{OL}$	Output LOW Voltage		$V_{CC}-1.83$		$V_{CC}-1.550$	V

**Notes:**

1. Permanent device damage may occur if absolute maximum ratings are exceeded. This is a stress rating only and functional operation is not implied at conditions other than those detailed in the operational sections of this data sheet. Exposure to absolute maximum rating conditions for extended periods may affect device reliability.
2. The data sheet limits are not guaranteed if the device is operated beyond the operating ratings.
3. Package thermal resistance assumes exposed pad is soldered (or equivalent) to the devices most negative potential on the PCB.

## AC ELECTRICAL CHARACTERISTICS

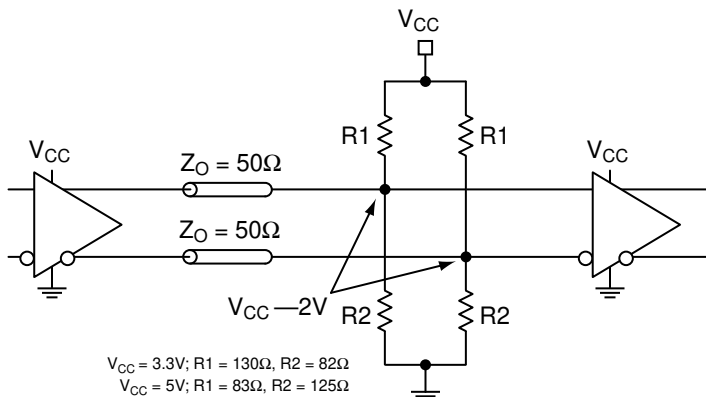
$V_{CC} = +3.3V \pm 10\%$  or  $+5.0V \pm 10\%$ ;  $R_L = 50\Omega$  to  $V_{CC} - 2V$ ,  $T_A = -40^\circ C$  to  $+85^\circ C$ , unless otherwise noted.

Symbol	Parameter	Condition	Min	Typ	Max	Units
$f_{MAX}$	Maximum Toggle Frequency				800	MHz
$t_{PD}$	Propagation Delay	IN-to-Q	100		600	ps
$t_{SKEW}$	Within-Device Skew	<b>Note 4</b>			100	ps
	Part-to-Part Jitter	<b>Note 4</b>			500	ps
$t_{Jitter}$	Cycle-to-Cycle Jitter	<b>Note 5</b>			2	ps <sub>RMS</sub>
	Total Jitter	<b>Note 6</b>			25	ps <sub>PP</sub>
$t_r, t_f$	Output Rise/Fall Time (20% to 80%)		200		500	ps

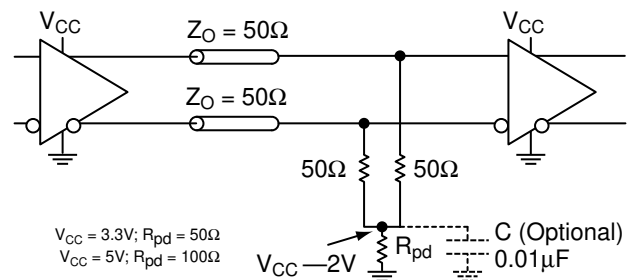
**Notes:**

- Same transition at common  $V_{CC}$  levels.
- Cycle-to-cycle jitter definition: The variation of periods between adjacent cycles,  $T_n - T_{n-1}$ , where T is the time between rising edges of the output signal.
- Total jitter definition: with an ideal clock input of frequency  $\leq f_{MAX}$ , no more than one output edge in  $10^{12}$  output edge will deviate by more than the specified peak-to-peak jitter value.

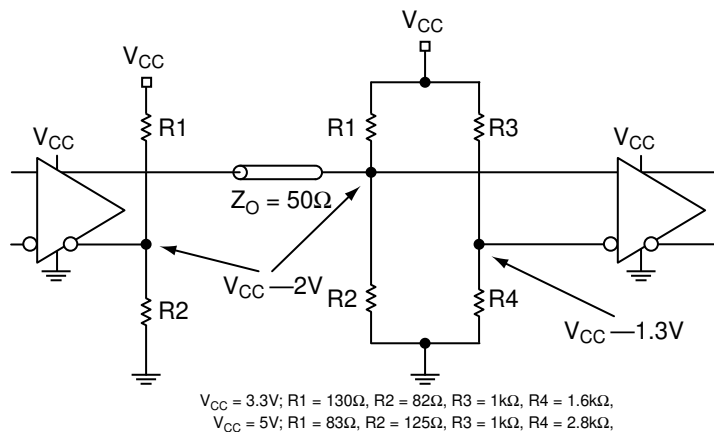
## LVPECL OUTPUT INTERFACE APPLICATIONS



**Figure 1a. Parallel Thevenin-Equivalent Termination**

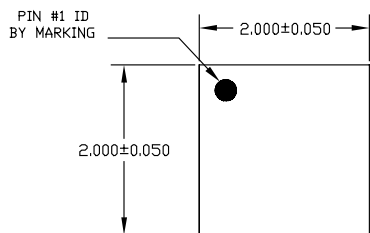


**Figure 1b. Three Resistor "Y Termination"**

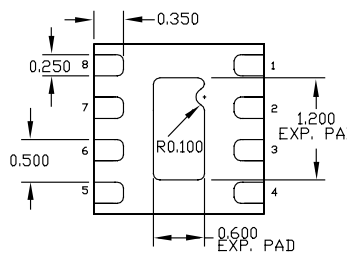


**Figure 1c. Terminating Unused I/O**

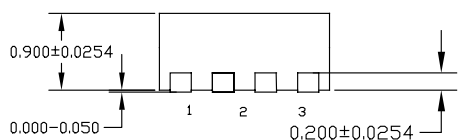
**8-PIN ULTRA-SMALL EPAD-MicroLeadFrame® (MLF-8)**



TOP VIEW

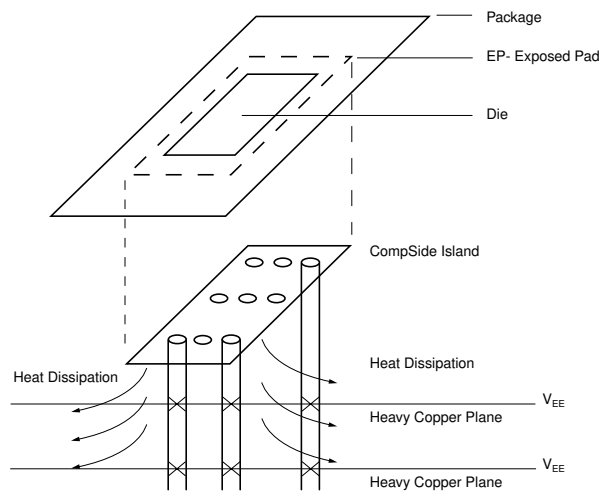


BOTTOM VIEW



SIDE VIEW

- NOTE:
1. ALL DIMENSIONS ARE IN MILLIMETERS.
  2. MAX. PACKAGE WARPAGE IS 0.05 mm.
  3. MAXIMUM ALLOWABLE BURRS IS 0.076 mm IN ALL DIRECTIONS.
  4. PIN #1 ID ON TOP WILL BE LASER/INK MARKED.



**PCB Thermal Consideration for 8-Pin MLF® Package**

**Package Notes:**

1. Package meets Level 2 qualification.
2. All parts are dry-packaged before shipment.
3. Exposed pads must be soldered to a ground for proper thermal management.

**MICREL, INC. 2180 FORTUNE DRIVE SAN JOSE, CA 95131 USA**

TEL + 1 (408) 944-0800 FAX + 1 (408) 474-1000 WEB <http://www.micrel.com>

The information furnished by Micrel in this datasheet is believed to be accurate and reliable. However, no responsibility is assumed by Micrel for its use. Micrel reserves the right to change circuitry and specifications at any time without notification to the customer.

Micrel Products are not designed or authorized for use as components in life support appliances, devices or systems where malfunction of a product can reasonably be expected to result in personal injury. Life support devices or systems are devices or systems that (a) are intended for surgical implant into the body or (b) support or sustain life, and whose failure to perform can be reasonably expected to result in a significant injury to the user. A Purchaser's use or sale of Micrel Products for use in life support appliances, devices or systems is at Purchaser's own risk and Purchaser agrees to fully indemnify Micrel for any damages resulting from such use or sale.

© 2006 Micrel, Incorporated.