



Chipsmall Limited consists of a professional team with an average of over 10 year of expertise in the distribution of electronic components. Based in Hongkong, we have already established firm and mutual-benefit business relationships with customers from,Europe,America and south Asia,supplying obsolete and hard-to-find components to meet their specific needs.

With the principle of “Quality Parts,Customers Priority,Honest Operation,and Considerate Service”,our business mainly focus on the distribution of electronic components. Line cards we deal with include Microchip,ALPS,ROHM,Xilinx,Pulse,ON,Everlight and Freescale. Main products comprise IC,Modules,Potentiometer,IC Socket,Relay,Connector.Our parts cover such applications as commercial,industrial, and automotives areas.

We are looking forward to setting up business relationship with you and hope to provide you with the best service and solution. Let us make a better world for our industry!



Contact us

Tel: +86-755-8981 8866 Fax: +86-755-8427 6832

Email & Skype: info@chipsmall.com Web: www.chipsmall.com

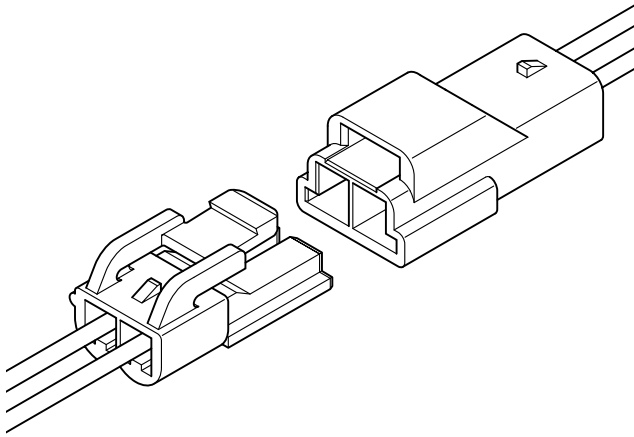
Address: A1208, Overseas Decoration Building, #122 Zhenhua RD., Futian, Shenzhen, China





YLN CONNECTOR

4.5mm pitch/Disconnectable Crimp style Wire-to-wire connectors



The YLN connector adds variations in shape to the existing color variations of the YL connector in order to improve identification of connectors. Moreover, this connector has a mechanism to prevent incomplete mating by utilizing the inertial force generated when the plug and receptacle are mated and therefore, ensures complete mating.

- Design to prevent incidental mating with the YL connector
- Inertial force mechanism
- Interchangeability
- Finger friendly design

Specifications

- Current rating: 10 A max. AC, DC
(7 A when retainers are mounted)
- Voltage rating: 300 V max. AC, DC
- Temperature range: -25°C to +90°C
(including temperature rise in applying electrical current)
- Contact resistance: Initial value/ 7 mΩ max.
After environmental tests/ 10 mΩ max.
- Insulation resistance: 1,000 MΩ min.
- Withstanding voltage: 1,500 VAC/minute
- Applicable wire: AWG #26 to #16
0.13 to 1.25 mm²

* Refer to "General Instruction and Notice when using Terminals and Connectors" at the end of this catalog.

* Contact JST for details.

* Compliant with RoHS.

Note: The current rating differs depending on the number of circuits and the wire size used in each connector. The table below lists the current rating as a function of the number of circuits and the wire size.

Current unit : A

Circuits	Wire size (AWG)					
	#16	#18	#20	#22	#24	#26
2	10	7	5	4	3	2
3	9	6	4	4	3	2
4	9	6	4	4	3	2
6	8	5	3	3	2	2

Note: Secondary retainers cannot be used with AWG #16 wires.

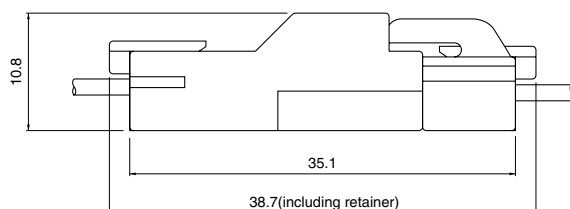
Standards

Recognized E60389

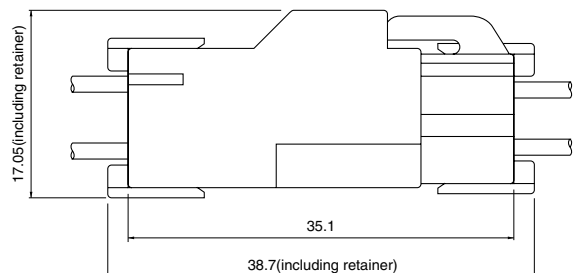
Certified LR20812

R9351052

<2, 3 circuits>



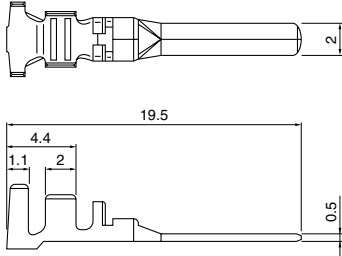
<4, 6 circuits>



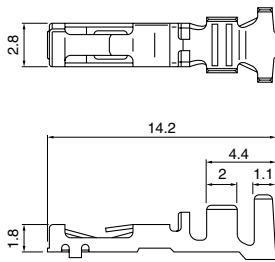
YLN CONNECTOR

Contact

Pin contact



Socket contact



Model No.		Applicable wire		Insulation O.D. (mm)	Q'ty / reel
Pin contact	Socket contact	mm ²	AWG #		
SYM-01T-P0.5A	SYF-01T-P0.5A	0.13~0.5	26~20	1.3~2.5	4,000 (SYM-01T-P0.5A) 5,000
SYM-41T-P0.5A	SYF-41T-P0.5A	0.5 ~1.25	20~16	2.0~3.4	
		0.3+0.3~ 0.5+0.5	22+22~ 20+20	1.5+1.5~ 2.0+2.0	

Material and Finish

Phosphor bronze, tin-plated (reflow treatment)

RoHS compliance

Note: 1. Contact JST for special products.

2. Retainers cannot be used with electric wire whose insulation O.D. exceeds 2.7 mm and AWG #16.

Contact	Crimping machine	Applicator		
		Crimp applicator	Dies	Crimp applicator with dies
SYM-01T-P0.5A	AP-K2N	MKS-L	MK/SYF/M-01-05	APLMK SYF/M01-05
SYF-01T-P0.5A		*MKS-SC-YL	SC/SYF/M-01-05	APLSC SYF/M01-05
SYM-41T-P0.5A		MKS-L	MK/SYF/M-41-05	APLMK SYF/M41-05
SYF-41T-P0.5A		*MKS-SC-YL	SC/SYF/M-41-05	APLSC SYF/M41-05

Note: *Strip-crimp applicator

Housing

Material: Housing...PA 66, UL94V-0, natural (white)

Retainer...Glass-filled PA 66, UL94V-0, natural (ivory)

Circuits	Voltage rating	Current rating	Receptacle housing(for pin contact)	Plug housing(for socket contact)	Retainer
2	300V	7A (10A)	YLN-02VF 	YLN-02V 	YLS-02V (Used with both housings with 2 and 4 circuits)
3	300V	6A (9A)	YLN-03VF 	YLN-03V 	YLS-03V (Used with both housings with 3 and 6 circuits)
4	300V	6A (9A)	YLN-04VF 	YLN-04V 	YLS-02V (Used with both housings with 2 and 4 circuits)
6	300V	5A (8A)	YLN-06VF 	YLN-06V 	YLS-03V (Used with both housings with 3 and 6 circuits)

RoHS compliance

Note: Current rating in parentheses is for use with AWG #16 wire. (Retainers are not mountable.)