



Chipsmall Limited consists of a professional team with an average of over 10 year of expertise in the distribution of electronic components. Based in Hongkong, we have already established firm and mutual-benefit business relationships with customers from,Europe,America and south Asia,supplying obsolete and hard-to-find components to meet their specific needs.

With the principle of “Quality Parts,Customers Priority,Honest Operation,and Considerate Service”,our business mainly focus on the distribution of electronic components. Line cards we deal with include Microchip,ALPS,ROHM,Xilinx,Pulse,ON,Everlight and Freescale. Main products comprise IC,Modules,Potentiometer,IC Socket,Relay,Connector.Our parts cover such applications as commercial,industrial, and automotives areas.

We are looking forward to setting up business relationship with you and hope to provide you with the best service and solution. Let us make a better world for our industry!



Contact us

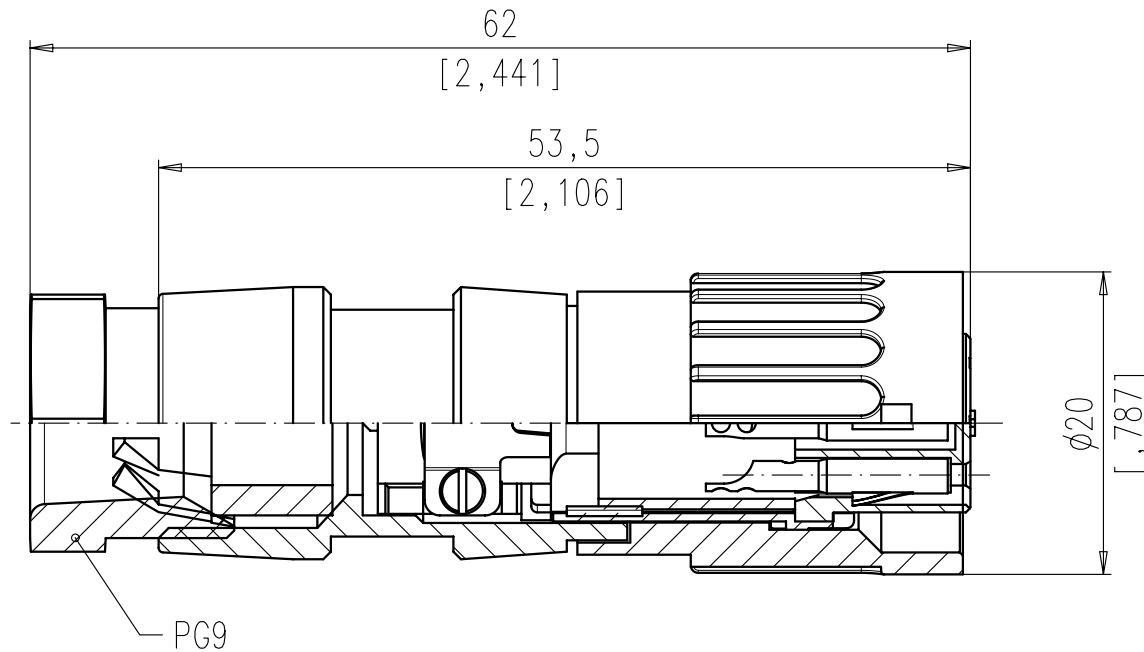
Tel: +86-755-8981 8866 Fax: +86-755-8427 6832

Email & Skype: info@chipsmall.com Web: www.chipsmall.com

Address: A1208, Overseas Decoration Building, #122 Zhenhua RD., Futian, Shenzhen, China



Copying of this document and giving it to others and the use or communication of the contents thereof, are forbidden without express authority. Offenders are liable to the payment of damages. All rights are reserved in the event of the grant of a patent or the registration of the utility model or design.



Polzahl number of contacts	Norm standard	3	4	5	5	6	7	7	8	12	14		
D Kontaktanordnung nach DIN contact arrangement acc. to DIN		41524 60130-9	- 60130-9	-	41524 60130-9	45322 60130-9	-	45329 60130-9	45326 60130-9	-	-		
Kontaktanordnung nach IEC contact arrangement acc. to IEC													
Bemessungsspannung rated voltage	IEC 60664-1	300V =		100V =	300V =		100V =		150V =				
Bemessungsspannung rated voltage	UL 1977	250V									60V		
Bemessungs-Stoßspannung rated impulse withstand voltage	IEC 60664-1	1500V		1200V	1500V		1200V						
Verschmutzungsgrad pollution degree	IEC 60664-1	1											
Überspannungskategorie installation category	IEC 60664-1	I											
Isolierstoffgruppe insulation group	IEC 60664-1	II, 400 ≤ CTI < 600											
Strombelastbarkeit current rating	IEC 60512-5-2 Test 5b UL 1977	5A / +40°C / +104°F								3A / +40°C / +104°F			
Isolationswiderstand insulation resistance	IEC 60512-3-1 Test 3a	>10 ¹⁰ Ω											
Durchgangswiderstand contact resistance	IEC 60512-2-1 Test 2a	< 5m Ω											
Prüfklasse climatic category	IEC 60068-1	40 / 100 / 56											
Temperaturbereich temperature range	IEC 60068-1	-40°C ... +100°C -40°F ... +212°F											
B IP-Schutzart IP-degree	IEC 60529	IP 40											
Steck- und Ziehkraft Insertion and withdrawal forces	IEC 60512-13-2 Test 13b	25N 90.oz	30N 110.oz	35N 125.oz	50N 180.oz	55N 200.oz	60N 220.oz	50N 180.oz					
Mechanische Lebensdauer mechanical operation	IEC 60512-9-1 Test 9a	silber/silver ≥ 500 Steckzyklen/mating cycles											
Werkstoff Gehäuse housing material		Überwurfmutter Messing, Zugentlastung Zink-Druckguß, Oberfläche vernickelt coupling ring brass, strain relief, die cast, nickel plated											
Werkstoff Kontaktträger dielectric material		Thermoplast thermoplastic											
Kontaktoberfläche contact plating		silver plated											
Anschlusstechnik termination technique		löten solder											
A Anschlussquerschnitt wire gauge		löten/solder ≤ 0,5 mm ² / 20AWG								≤ 0,25 mm ² / 24 AWG			
Brennbarkeit flammability		UL 94 V0											
Verriegelung locking system		Bajonett bayonet											

	14	T 3645 502
	12	T 3625 502
	8 IEC	T 3525 502
	7 IEC	T 3445 502
	7	T 3435 502
	6	T 3425 502
	5	T 3375 502
	5 IEC	T 3395 502
	4	T 3325 502
	3	T 3275 502
SYMBOL symbol	POLZAHL number of contacts	TYP-NUMMER-AG type-number-AG

Diese Steckverbinder dürfen betriebsmäßig nicht unter Spannung betätigt werden. Metallene Gehäuseteile sind sicher mit dem Schutzleitersystem zu verbinden.
 Do not connect or disconnect under load. Metal housing parts shall be securely incorporated to protected ground.

Gewicht (errechnet)/ Calc WT:	9	Zul. Abw./Tolerances:		Maßstab/Scale	2:1	A3	
Prüfmaß/Test dimension				CUSTOMER DRAWING			
Teileindex Part index number				Kabeldose Female cable connector			
		08	Datum/Date	Name			
		Gez.	09.07.	Cionvica			
		Drawn					
		Gepr.					
		Checked					
		Amphenol-Tuchel Electronics GmbH		M	DB T 3XX5 502	Blatt/Sheet 1 1 Bl.	
01	200700144	09.07.08	CI	Ers. f./Similar to:			
Index	Änderung/Description	Datum/Date	Name				

Weitergabe sowie Vervielfältigung dieser Unterlage, Verwertung und Mitteilung ihres Inhalts nicht gestattet, soweit nicht ausdrücklich zugestanden. Zuwiderhandlungen verpflichten zu Schadenersatz. Alle Rechte für den Fall der Patenterteilung oder Gebrauchsmuster-Eintragung vorbehalten.