



Chipsmall Limited consists of a professional team with an average of over 10 year of expertise in the distribution of electronic components. Based in Hongkong, we have already established firm and mutual-benefit business relationships with customers from,Europe,America and south Asia,supplying obsolete and hard-to-find components to meet their specific needs.

With the principle of “Quality Parts,Customers Priority,Honest Operation,and Considerate Service”,our business mainly focus on the distribution of electronic components. Line cards we deal with include Microchip,ALPS,ROHM,Xilinx,Pulse,ON,Everlight and Freescale. Main products comprise IC,Modules,Potentiometer,IC Socket,Relay,Connector.Our parts cover such applications as commercial,industrial, and automotives areas.

We are looking forward to setting up business relationship with you and hope to provide you with the best service and solution. Let us make a better world for our industry!



## Contact us

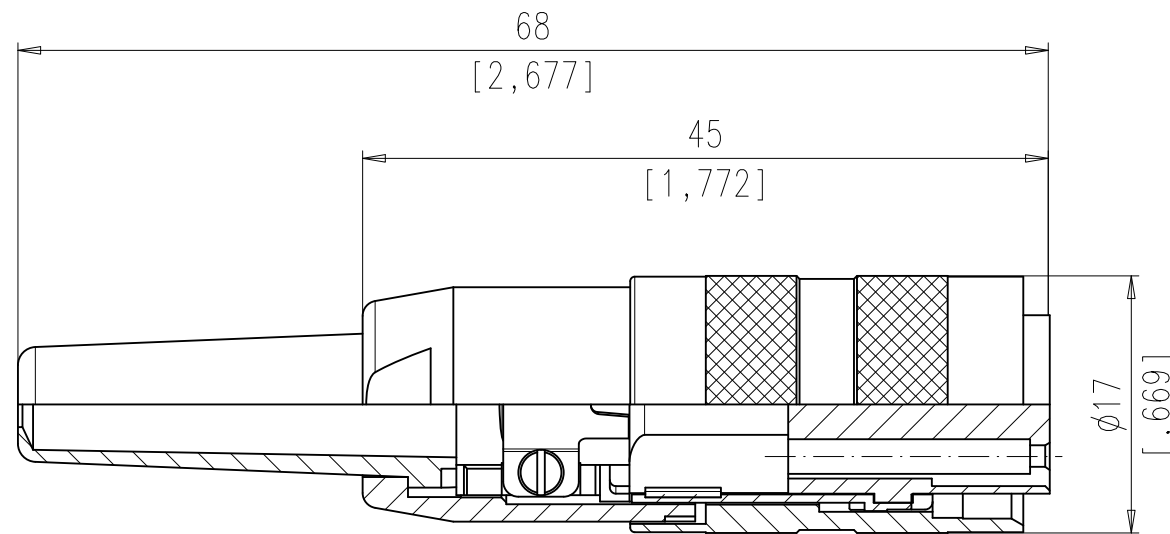
Tel: +86-755-8981 8866 Fax: +86-755-8427 6832

Email & Skype: info@chipsmall.com Web: www.chipsmall.com

Address: A1208, Overseas Decoration Building, #122 Zhenhua RD., Futian, Shenzhen, China



Copying of this document and giving it to others and the use or communication of the contents thereof, are forbidden without express authority. Offenders are liable to the payment of damages. All rights are reserved in the event of the grant of a patent or the registration of the utility model or design.



|  |                                     |   |               |               |                  |                  |               |                  |                     |    |     |  |
|--|-------------------------------------|---|---------------|---------------|------------------|------------------|---------------|------------------|---------------------|----|-----|--|
| Polzahl<br>number of contacts  | Norm<br>standard                    | 3   | 4             | 5             | 5                | 6                | 7             | 7                | 8                   | 12 | 14  |  |
| D Kontaktanordnung nach DIN<br>contact arrangement acc. to DIN<br>Kontaktanordnung nach IEC<br>contact arrangement acc. to IEC |                                     | 41524<br>60130-9  | -<br>60130-9  | -             | 41524<br>60130-9 | 45322<br>60130-9 | -             | 45329<br>60130-9 | 45326<br>60130-9    | -  | -   |  |
| Bemessungsspannung<br>rated voltage  | IEC 60664-1                         | 300V =  |               | 100V =        | 300V =           |                  | 100V =        |                  | 150V =              |    |     |  |
| Bemessungsspannung<br>rated voltage  | UL 1977                             | 250V  |               |               |                  |                  |               |                  |                     |    | 60V |  |
| Bemessungs-Stoßspannung<br>rated impulse withstand voltage   | IEC 60664-1                         | 1500V   |               | 1200V         | 1500V            |                  | 1200V         |                  |                     |    |     |  |
| Verschmutzungsgrad<br>pollution degree   | IEC 60664-1                         | 1   |               |               |                  |                  |               |                  |                     |    |     |  |
| Überspannungskategorie<br>installation category  | IEC 60664-1                         | 1   |               |               |                  |                  |               |                  |                     |    |     |  |
| Isolierstoffgruppe<br>insulation group   | IEC 60664-1                         | II, 400 ≤ CTI < 600   |               |               |                  |                  |               |                  |                     |    |     |  |
| Strombelastbarkeit<br>current rating   | IEC 60512-5-2<br>Test 5b<br>UL 1977 | 5A / +40°C / +104°F   |               |               |                  |                  |               |                  | 3A / +40°C / +104°F |    |     |  |
| Isolationswiderstand<br>insulation resistance  | IEC 60512-3-1<br>Test 3a            | >10 <sup>10</sup> Ω   |               |               |                  |                  |               |                  |                     |    |     |  |
| Durchgangswiderstand<br>contact resistance   | IEC 60512-2-1<br>Test 2a            | < 5m Ω  |               |               |                  |                  |               |                  |                     |    |     |  |
| Prüfklasse<br>climatic category  | IEC 60068-1                         | 40 / 100 / 56   |               |               |                  |                  |               |                  |                     |    |     |  |
| Temperaturbereich<br>temperatur range  | IEC 60068-1                         | -40°C ... +100°C<br>-40°F ... +212°F  |               |               |                  |                  |               |                  |                     |    |     |  |
| IP-Schutzart<br>IP-degree  | IEC 60529                           | IP 40   |               |               |                  |                  |               |                  |                     |    |     |  |
| Steck- und Ziehkraft<br>Insertion and withdrawal forces  | IEC 60512-13-2<br>Test 13b          | 25N<br>90.oz  | 30N<br>110.oz | 35N<br>125.oz | 50N<br>180.oz    | 55N<br>200.oz    | 60N<br>220.oz | 50N<br>180.oz    |                     |    |     |  |
| Mechanische Lebensdauer<br>mechanical operation  | IEC 60512-9-1<br>Test 9a            | silber/silver ≥ 500 Steckzyklen/mating cycles<br>gold/gold ≥ 1000 Steckzyklen/mating cycles   |               |               |                  |                  |               |                  |                     |    |     |  |
| Werkstoff Gehäuse<br>housing material  |                                     | Überwurfmutter Messing, Zugentlastung Zink-Druckguß Oberfläche vernickelt<br>coupling ring brass, strain relief, die cast, nickel plated          |               |               |                  |                  |               |                  |                     |    |     |  |
| Werkstoff Kontaktträger<br>dielectric material   |                                     | Thermoplast<br>thermoplastic  |               |               |                  |                  |               |                  |                     |    |     |  |
| Kontaktoberfläche<br>contact plating   |                                     | versilbert/vergoldet<br>silver plated/gold plated   |               |               |                  |                  |               |                  |                     |    |     |  |
| Anschlussstechnik<br>termination technique   |                                     | crimp<br>crimp  |               |               |                  |                  |               |                  |                     |    |     |  |
| A Anschlussquerschnitt<br>wire gauge   |                                     | crimp: 2-6 pol(ausschließlich/excluding 5S): 0,09-1,00mm <sup>2</sup> / 28-18 AWG<br>crimp 5S, 7, 7S, 8 pol: 0,09-0,75mm <sup>2</sup> / 28-20 AWG |               |               |                  |                  |               |                  |                     |    |     |  |
| Brennbarkeit<br>flammability   |                                     | UL 94 V0  |               |               |                  |                  |               |                  |                     |    |     |  |
| Verriegelung<br>locking system   | IEC 60130-9                         | schrauben: Anziehdrehmoment 0,7Nm<br>metal screw coupling: tightening torque 0,7Nm  |               |               |                  |                  |               |                  |                     |    |     |  |

|                  |                                  |                                       |
|------------------|----------------------------------|---------------------------------------|
|                  | 8<br>IEC                         | T 3505 551 U                          |
|                  | 7<br>IEC                         | T 3485 551 U                          |
|                  | 7                                | T 3476 551 U                          |
|                  | 6                                | T 3401 551 U                          |
|                  | 5                                | T 3361 551 U                          |
|                  | 5<br>IEC                         | T 3357 551 U                          |
|                  | 4                                | T 3301 551 U                          |
|                  | 3                                | T 3261 551 U                          |
| SYMBOL<br>symbol | POLZAHL<br>number of<br>contacts | TYP-NUMMER-CRIMP<br>type-number-crimp |

Diese Steckverbinder dürfen betriebsmäßig nicht unter Spannung betätigt werden. Metallene Gehäuseteile sind sicher mit dem Schutzleitersystem zu verbinden.  
 Do not connect or disconnect under load. Metal housing parts shall be securely incorporated to protected ground.

Crimpkontakte bitte separat bestellen, Details siehe M-N 02 015 00XX (X) U oder Katalog C091 A/B/D Seite 44  
 please order crimp contacts separately, details see M-N 02 015 00XX (X) U or catalog C091 A/B/D page 44

Alle technischen Daten wurden unter Laborbedingungen ermittelt und können im Praxisbetrieb abweichen. Es handelt sich bei den Angaben weder um Beschaffenheits- noch um Haltbarkeitsgarantien.  
 All technical data have been measured in a laboratory environment and can be different during practical usage of the product. Any product information is for description usage only and not legally binding; particularly the information does not constitute or provide any legal guaranties (\*Beschaffenheitsgarantie\* or \*Haltbarkeitsgarantie\*)

Hinweis für vergoldete Anschlüsse:  
 Zur Vermeidung von spröden intermetallischen Verbindungen müssen vergoldete Anschlüsse vor dem eigentlichen Lötvorgang verzinnt werden.  
 Remark for gold plated contacts:  
 In order to avoid brittle inter-metallic connections, gold-plated terminals have to be tin-plated in the solder area.

|                                 |                      |                       |      |                                     |            |              |                        |
|---------------------------------|----------------------|-----------------------|------|-------------------------------------|------------|--------------|------------------------|
| Gewicht (errechnet)/ Calc WT:   | 9                    | Zul. Abw./Tolerances: |      | Maßstab/Scale                       | 2:1        | A3           |                        |
| Prüfmaß/Testdimension           |                      |                       |      | CUSTOMER DRAWING                    |            |              |                        |
| Teileindex<br>Part index number |                      |                       |      | 13                                  | Datum/Date | Name         |                        |
|                                 |                      |                       |      | Gez.                                | 09.10.     | Jerry        | Kabeldose gerade       |
|                                 |                      |                       |      | Drawn                               |            |              | Female cable connector |
|                                 |                      |                       |      | Gep.                                |            |              |                        |
|                                 |                      |                       |      | Checked                             |            |              |                        |
|                                 |                      |                       |      | Amphenol-Tuchel<br>Electronics GmbH |            |              | Blatt/Sheet            |
| 01                              | 201300685            | 09.10.13              | JZ   | M                                   | DA         | T 3XXX 551 U | 1                      |
| Index                           | Änderung/Description | Datum/Date            | Name | Ers. f./Similar to:                 |            |              | 1 Bl.                  |

Weitergabe sowie Vervielfältigung dieser Unterlage, Verwertung und Mitteilung ihres Inhalts nicht gestattet, soweit nicht ausdrücklich zugestanden. Zuwiderhandlungen verpflichten zu Schadenersatz. Alle Rechte für den Fall der Patenterteilung oder Gebrauchsmuster-Eintragung vorbehalten.