



Chipsmall Limited consists of a professional team with an average of over 10 year of expertise in the distribution of electronic components. Based in Hongkong, we have already established firm and mutual-benefit business relationships with customers from,Europe,America and south Asia,supplying obsolete and hard-to-find components to meet their specific needs.

With the principle of “Quality Parts,Customers Priority,Honest Operation,and Considerate Service”,our business mainly focus on the distribution of electronic components. Line cards we deal with include Microchip,ALPS,ROHM,Xilinx,Pulse,ON,Everlight and Freescale. Main products comprise IC,Modules,Potentiometer,IC Socket,Relay,Connector.Our parts cover such applications as commercial,industrial, and automotives areas.

We are looking forward to setting up business relationship with you and hope to provide you with the best service and solution. Let us make a better world for our industry!



Contact us

Tel: +86-755-8981 8866 Fax: +86-755-8427 6832

Email & Skype: info@chipsmall.com Web: www.chipsmall.com

Address: A1208, Overseas Decoration Building, #122 Zhenhua RD., Futian, Shenzhen, China



BEI SENSORS

T-SERIES INDUSTRIAL INCLINOMETER ANALOG INTERFACE



T-Series industrial inclinometers are compact high performance sensors used to determine inclination in roll and pitch axes with excellent precision and at a high value. Whether using a molded plastic housing or an AW6082-T6 aluminum alloy housing, both versions offer mechanical stability and an encapsulated sensor. Both have a high environmental protection rating making them ideal for measuring tilt in harsh industrial environments.

Main Features

- Dual Axis Measurement Range up to $\pm 60^\circ$
- Option for a Single Axis Measurement Range of 360°
- High Resolution: 0.01°
- High Accuracy: 0.1°
- Glass Fiber Reinforced Plastic Housing available
- Factory Calibrated Linearity
- Temperature Compensated for Bias and Sensitivity
- Analog Interface: Voltage, Current
- Highest Protection Class: IP69K, IP68

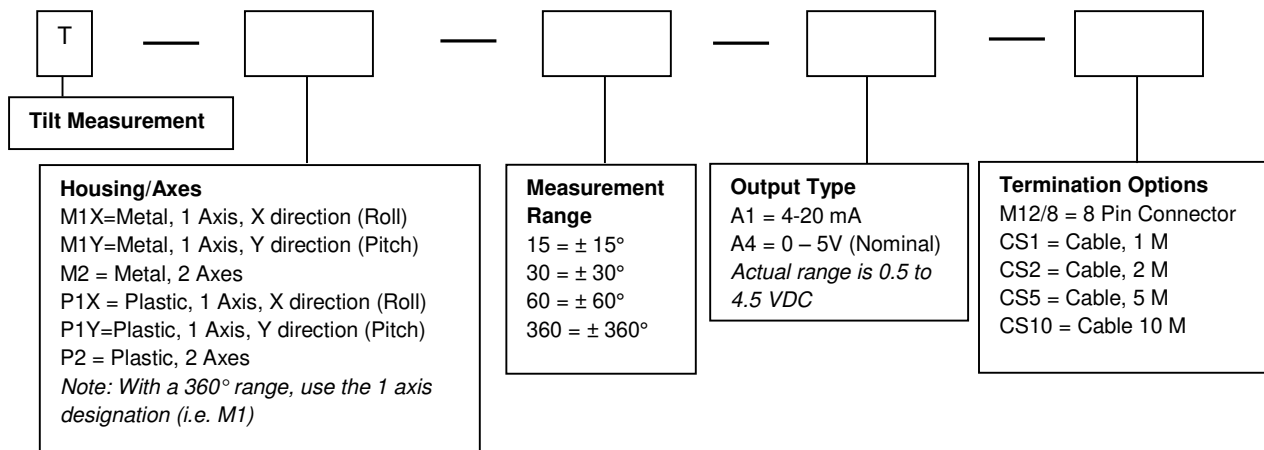
Electrical Features

- Highly Integrated Circuit in SMD-Technology
- Reverse Polarity Protection
- Over Voltage Peak Protection

Applications

- Measurement of Inclination (pitch and roll) and Rotational Movements
- Cranes and Construction Machines
- Robotic Arms & Positioning Systems
- Mobile Platform stabilization
- Marine & Offshore Machinery

Model Ordering Options



North 1461 Lawrence Dr, Thousand Oaks CA 91320 USA
America: Tel: 805-716-0322 | sales.beisensors@sensata.com

Europe: Espace Européen de l'Entreprise, 9, rue de Copenhague, B.P. 70044 Schiltigheim, F 67013
Strasbourg Cedex FRANCE; Tél : +33 (0)3 88 20 80 80 | info.beisensors@sensata.com

Electrical Data

Model		T- M2 (or P2)- (Range)			T-M1 (or P1) - 360
		15	30	60	
Measurement Range		± 15°	± 30°	± 60	360°
Number of Axes		2 (Standard), 1 optional			1
Analog Interface	Voltage	0.5 to 4.5 V, 0° = 2.5 V Load ≥ 10 KΩ with 12 V DC			0.5 to 4.5 V, 0° = 0.5 V Load ≥ 10 KΩ with 12 V DC
	Current	4 mA to 20 mA, 0° = 12 mA Load ≤ 270 Ω ¹			4 mA to 20 mA, 0° = 4 mA Load ≤ 270 Ω ¹
Resolution		0.01°			
Accuracy (T = -10 °C to +40 °C)²		0.1°			
Sensor Response Time		10 ms (Without Filter)			
Recommended Measurement Rate		Up to 10 Hz			
Supply Voltage³		10 to 30 V DC (Absolute Maximum Ratings) for Voltage Analog Interface 15 to 30 V DC (Absolute Maximum Ratings) for Current Analog Interface			
Power Consumption		≤ 0.7 W			
EMC		Emitted Interference: EN 61000-6-4			
		Noise Immunity: EN 61000-6-2			
Connection		Connector Output, 8 Pin M12 male (A-coded)			

Mechanical Data

Housing Material (Plastic)	Glass Fiber Reinforced PBT (Polybutylene Terephthalate)
Housing Material (Metal)	AW6082 Corrosion resistant Aluminum alloy, passivated
Potting Material	PUR (Polyurethane)
Shock (EN 60068-2-27)²	≤ 100 g (half sine, 6 ms)
Vibration (EN 60068-2-6)²	1.5mm (10 to 58 Hz) & ≤ 20 g (58 to 2000 Hz)

¹ R_L < 500Ω with 15 V DC

² Further data available on request

³ Inclometers should be connected only to subsequent electronics whose power supplies comply with EN 50178 (Protective Low Voltage)

BEI SENSORS

Weight | 75 gm / 3 oz

Environmental Conditions

Operating Temperature	-40 °C to +85 °C / -40 °F to 185 °F
Humidity	98 % Relative Humidity, Non-Condensing
Protection Class (EN 60529)	IP 69K (With Appropriate Mating Connector and mounting), IP68

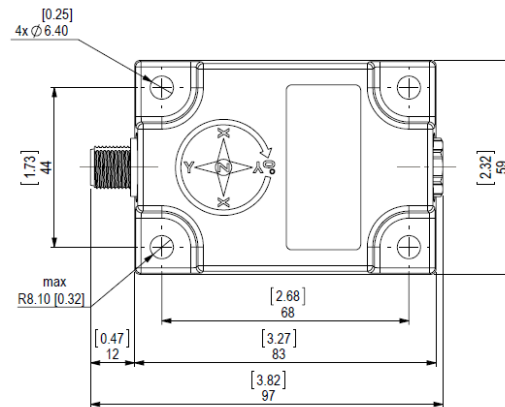
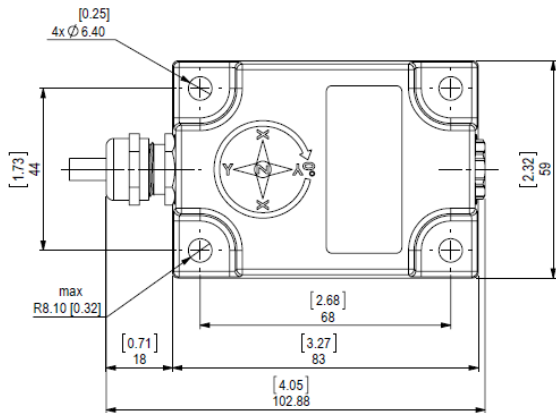
Mechanical Drawings

Metal Housing Option

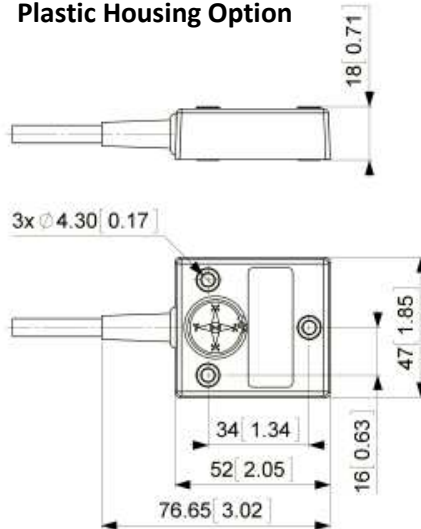
Cable Termination



Connector Termination



Plastic Housing Option



Dimensions in mm and [inches]

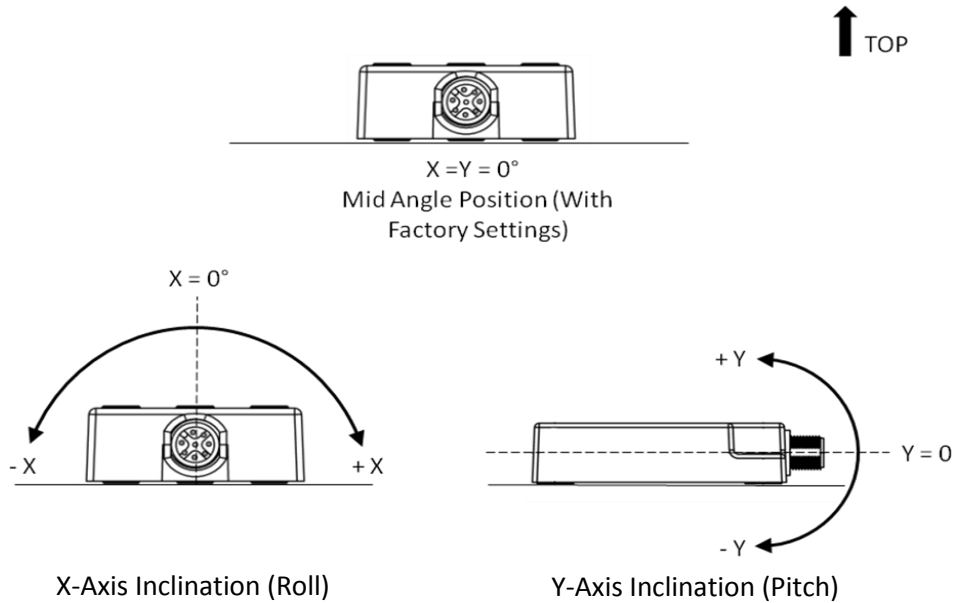
North America: 1461 Lawrence Dr, Thousand Oaks CA 91320 USA
Tel: 805-716-0322 | sales.beisensors@sensata.com

Europe: Espace Européen de l'Entreprise, 9, rue de Copenhague, B.P. 70044 Schiltigheim, F 67013
Strasbourg Cedex FRANCE; Tél : +33 (0)3 88 20 80 80 | info.beisensors@sensata.com

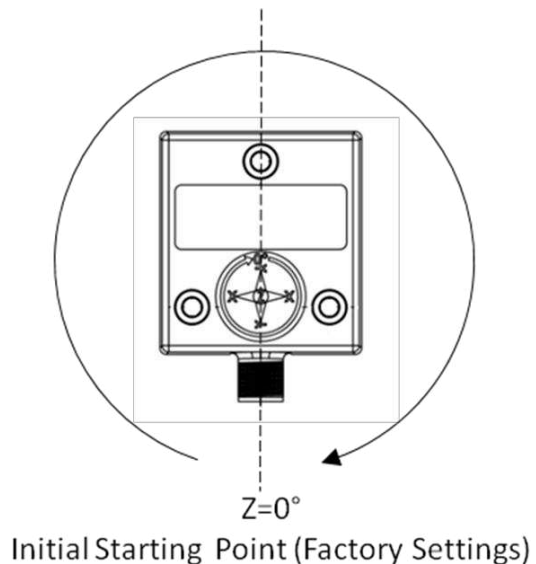
Specification No. 02139-001 REV E

www.beisensors.com

Measurement Axes (Two Axis Units)



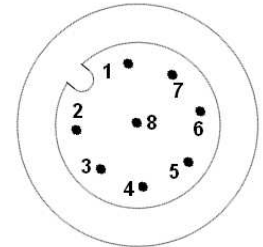
Measurement Axis - 360 (Single Axis Inclinometer)



Pin Assignment

The inclinometer is connected via an 8 pin M12 A-coded round connector.
(Standard M12, Male side at sensor, Female at mating connector).

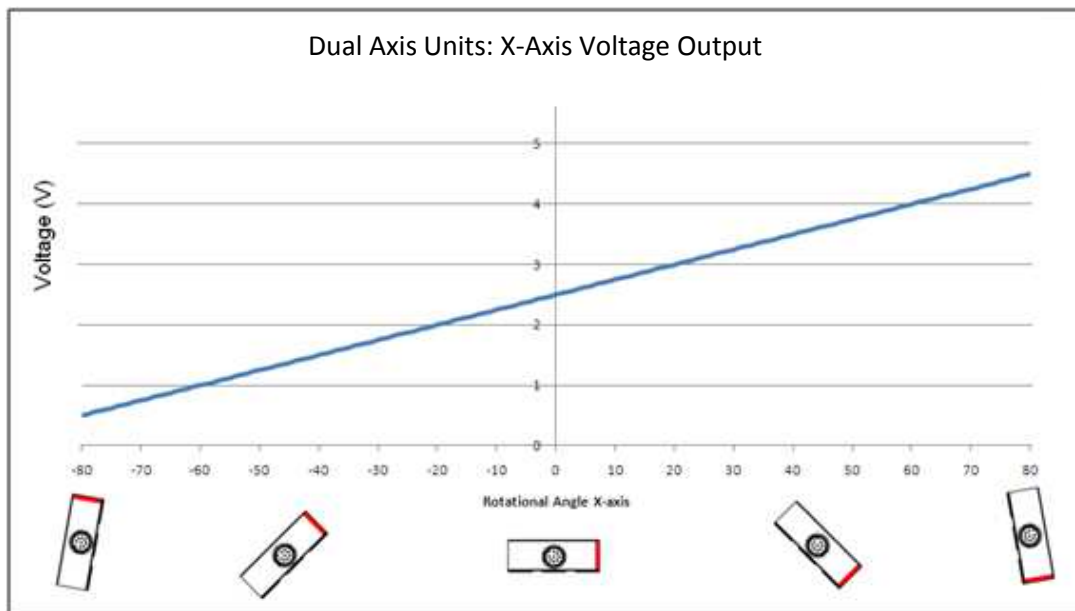
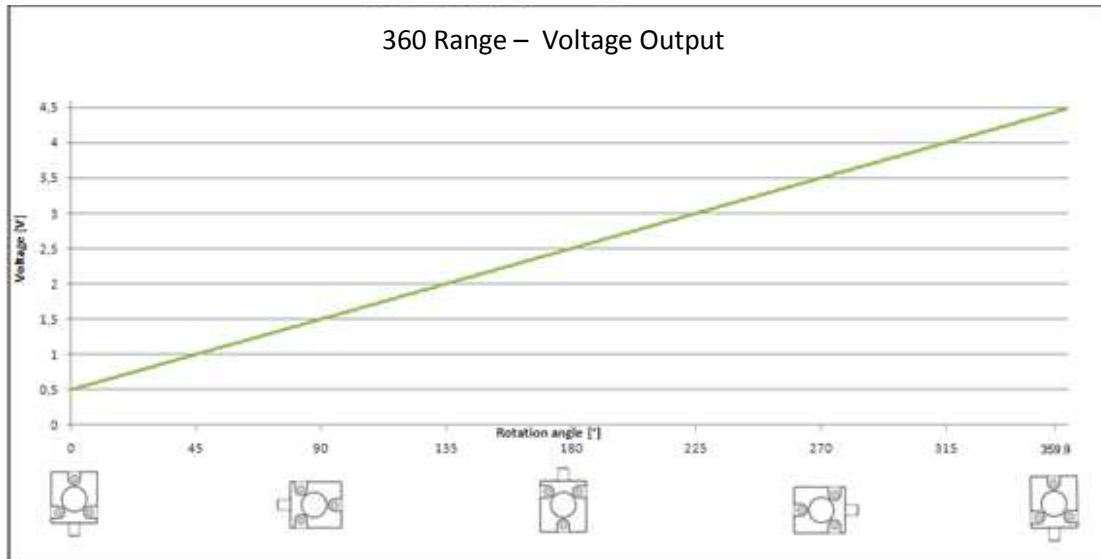
Pin	Cable Color	Dual-Axis Units	Single Axis, 360° Units
1	Red	V _s Supply Voltage	V _s Supply Voltage
2	Gray	Spare (N/C) ¹	Spare (N/C)
3	Pink	Spare (N/C)	Spare (N/C)
4	Yellow	Ground (Signal Common)	Ground (Signal Common)
5	Green	X-axis Analog Output ²	Z -Axis Analog Output ²
6	Brown	Spare (N/C)	Spare (N/C)
7	Blue	Y-axis Output Analog ²	Spare (N/C)
8	White	Spare (N/C)	Spare (N/C)



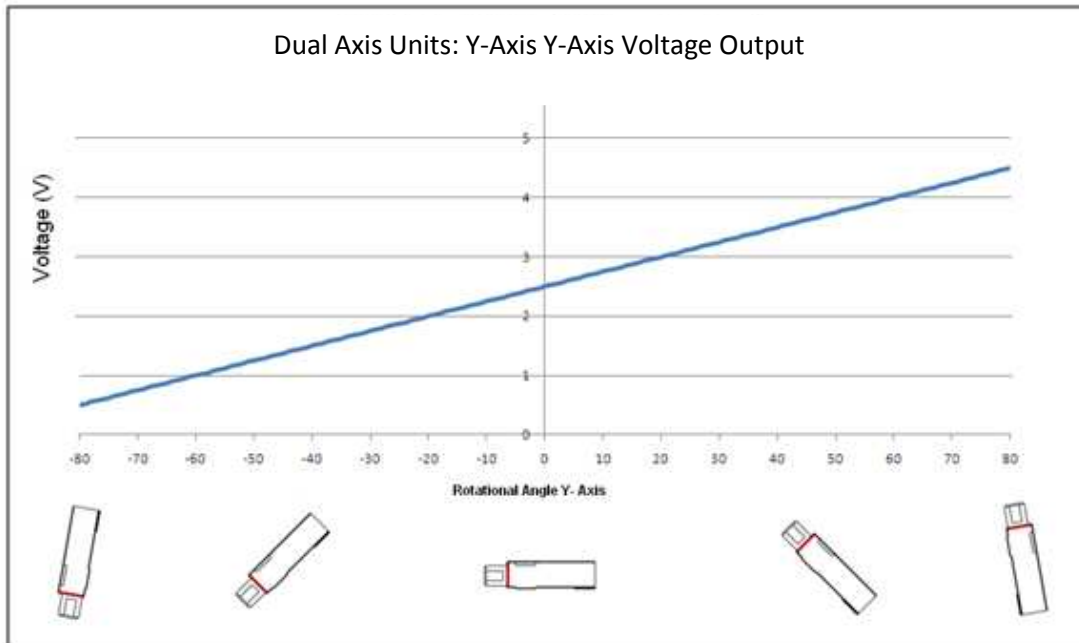
¹ Items marked Spare (N/C) should not be connected

² For single axis units, either the X-axis or the Y-axis is active as specified in the model. If not active, treat the axis as a Spare (N/C)

Voltage Output



BEI SENSORS



Disclaimer

© BEI Sensors all rights reserved. We do not assume responsibility for technical inaccuracies or omissions. Specifications are subject to change without notice.

North America: 1461 Lawrence Dr, Thousand Oaks CA 91320 USA
Tel: 805-716-0322 | sales.beisensors@sensata.com

Europe: Espace Européen de l'Entreprise, 9, rue de Copenhague, B.P. 70044 Schiltigheim, F 67013
Strasbourg Cedex FRANCE; Tél : +33 (0)3 88 20 80 80 | info.beisensors@sensata.com

Specification No. 02139-001 REV E

www.beisensors.com