



Chipsmall Limited consists of a professional team with an average of over 10 year of expertise in the distribution of electronic components. Based in Hongkong, we have already established firm and mutual-benefit business relationships with customers from,Europe,America and south Asia,supplying obsolete and hard-to-find components to meet their specific needs.

With the principle of "Quality Parts,Customers Priority,Honest Operation,and Considerate Service",our business mainly focus on the distribution of electronic components. Line cards we deal with include Microchip,ALPS,ROHM,Xilinx,Pulse,ON,Everlight and Freescale. Main products comprise IC,Modules,Potentiometer,IC Socket,Relay,Connector.Our parts cover such applications as commercial,industrial, and automotives areas.

We are looking forward to setting up business relationship with you and hope to provide you with the best service and solution. Let us make a better world for our industry!



Contact us

Tel: +86-755-8981 8866 Fax: +86-755-8427 6832

Email & Skype: info@chipsmall.com Web: www.chipsmall.com

Address: A1208, Overseas Decoration Building, #122 Zhenhua RD., Futian, Shenzhen, China



THIS DRAWING IS UNPUBLISHED.

RELEASED FOR PUBLICATION

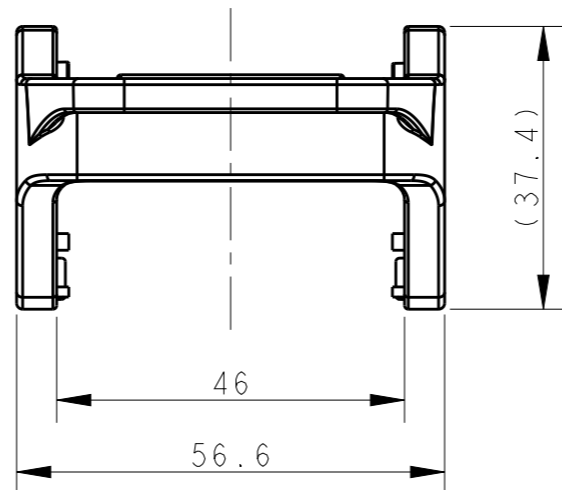
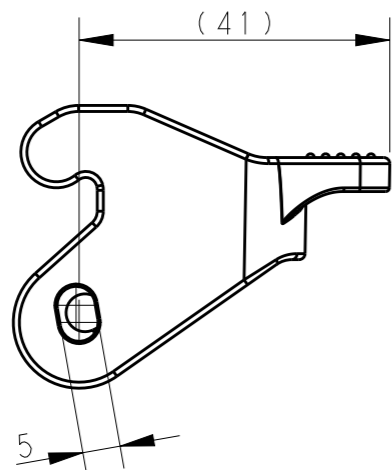
20

© COPYRIGHT 20 BY -

ALL RIGHTS RESERVED.

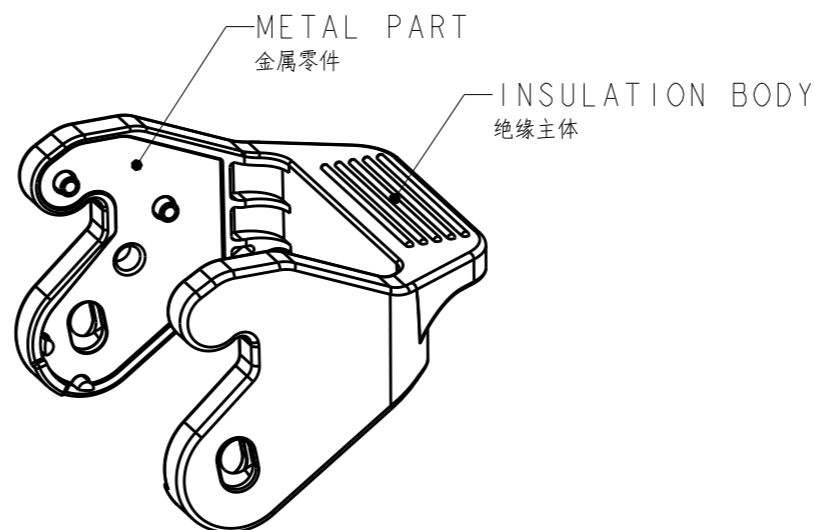
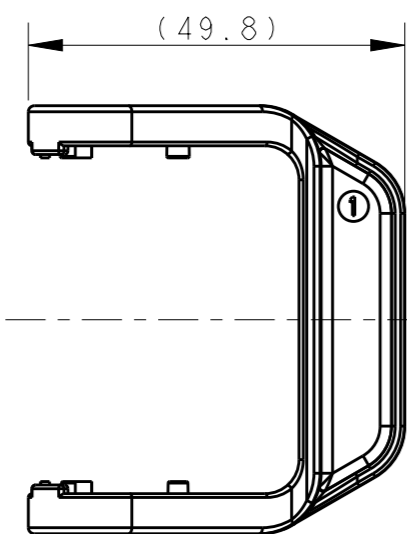
REVISIONS

P	LTR	DESCRIPTION	DATE	DWN	APVD
	A	INITIAL RELEASE	06APR2017	DW	CW



NOTES:
 1. TECHNICAL CHARACTERISTICS:
 INSULATION BODY MATERIAL: PA
 METAL PART MATERIAL: STAINLESS STEEL
 SIZE: H10B/H16B/H24B

注释:
 1. 技术参数:
 绝缘主体材料: 尼龙
 金属零件材料: 不锈钢
 尺寸: H10B/H16B/H24B



T0923004002-001	HB DOUBLE PLASTIC LOCKING HB塑料双扣
PART NUMBER 料号	PART DESCRIPTION 描述

THIS DRAWING IS A CONTROLLED DOCUMENT.

DIMENSIONS:	TOLERANCES UNLESS OTHERWISE SPECIFIED:
mm	
	0 PLC ±-
	1 PLC ±-
	2 PLC ±-
	3 PLC ±-
	4 PLC ±-
	ANGLES ±-
MATERIAL	FINISH
-	-
-	-

DWN	04NOV2016
DAVID WANG	
CHK	04NOV2016
CHRIS WANG	
APVD	04NOV2016
XIANG XU	
PRODUCT SPEC	-
APPLICATION SPEC	-
WEIGHT	-
CUSTOMER DRAWING	

STE TE Connectivity			
NAME HB DOUBLE PLASTIC LOCKING			
SIZE	CAGE CODE	DRAWING NO	RESTRICTED TO
A3	00779	©-T0923004002001	-
SCALE		SHEET	REV
1:1		1 OF 1	A